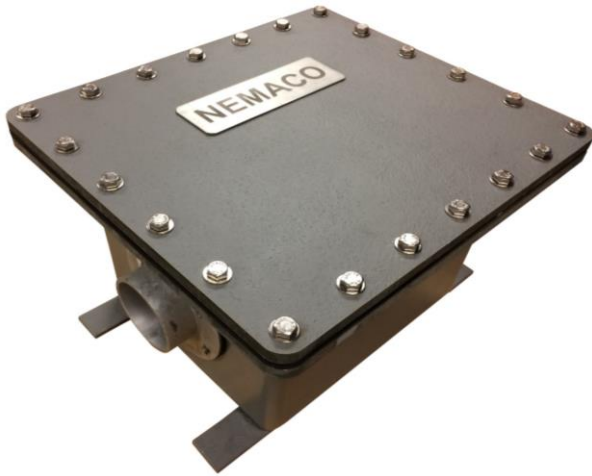


# Submersible - Fiberglass- NEMA 6P - Performance Enclosures

## NEMACO™

Excellent Electrical Enclosures



### Submersible - Water Proof - NEMA 6P - Excellent Fiberglass Enclosure

- NEMA 4X for Total Dust, Rain, Snow & Water Washdown Resistance.
- NEMA 6P for Submersion Water Proof Performance (15ft)
- Corrossion Resistance and Durable Design.
- Light Weight Enclosure, 1:4 Stainless Steel
- Captive Bolt Hardware with Retainers to prevent losing the bolts
- Economical Marine Enclosure Solution
- Stainless Steel Interior Plate and adjustable studs inside enclosure
- Non-metalic, Ideal for Radio Communication
- Frame Resistance Resin Materials Available
- Stainless Brass and Silicon Bronze Bolts Available.

Call Nemaco for Enclosure Solutions		Quality Enclosure Solutions				
NemacoTech.com						
Enclosure Part Number	Enclosure Size H x W x D	Door & Body Material	Door Material Thickness (in.)	Body Material Thickness (in.)	Estimated Cover Wt (Lbs)	Estimated Enclosure Wt (Lbs)
N6P-121206-FRP	20 x 20 x 8	FIBERGLASS	1/2	3/8	11.00	37.03
N6P-121208-FRP	20 x 20 x 10	FIBERGLASS	1/2	3/8	11.00	40.05
N6P-121212-FRP	24 x 24 x 8	FIBERGLASS	1/2	3/8	11.00	45.99
N6P-161606-FRP	24 x 24 x 10	FIBERGLASS	1/2	3/8	17.16	53.04
N6P-161608-FRP	26 x 18 x 8	FIBERGLASS	1/2	3/8	17.16	57.09
N6P-161618-FRP	26 x 18 x 10	FIBERGLASS	1/2	3/8	17.16	76.78
N6P-202006-FRP	26 x 26 x 8	FIBERGLASS	1/2	3/8	27.08	74.58
N6P-202008-FRP	26 x 26 x 10	FIBERGLASS	1/2	3/8	27.08	79.64
N6P-202012-FRP	28 x 26 x 8	FIBERGLASS	1/2	3/8	27.08	89.67
N6P-242406-FRP	28 x 26 x 10	FIBERGLASS	1/2	3/8	36.49	96.55
N6P-242408-FRP	30 x 26 x 8	FIBERGLASS	1/2	3/8	36.49	102.64
N6P-242412-FRP	30 x 26 x 10	FIBERGLASS	1/2	3/8	36.49	114.71
N6P-303006-FRP	32 x 26 x 8	FIBERGLASS	1/2	3/8	53.31	133.25
N6P-303008-FRP	32 x 26 x 10	FIBERGLASS	1/2	3/8	53.31	140.87
N6P-303012-FRP	33 x 26 x 10	FIBERGLASS	1/2	3/8	53.31	156.00
N6P-302406-FRP	34 x 26 x 10	FIBERGLASS	1/2	3/8	44.10	113.51
N6P-302408-FRP	35 x 26 x 10	FIBERGLASS	1/2	3/8	44.10	120.37
N6P-302412-FRP	36 x 26 x 10	FIBERGLASS	1/2	3/8	44.10	133.97

N6P4X Enclosure constructed with quality seals, Fiberglass material, 316SS hardware and CNC precision machined for exact fit & exceptional performance for industrial applications. Call Nemaco Technology for performance solutions for your projects.

# Submersible - Fiberglass- NEMA 6P - Performance Enclosures

## NEMACO™

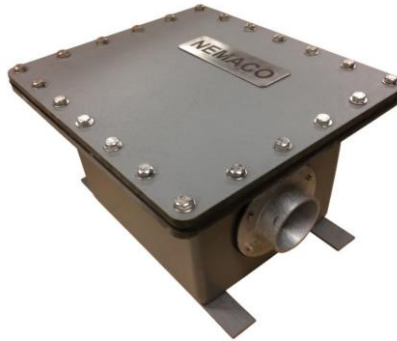
Excellent Electrical Enclosures

Call Nemaco for Enclosure Solutions	Quality Enclosure Solutions
NemacoTech.com	

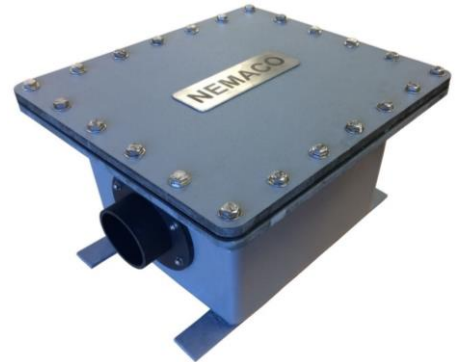
• KEY FEATURES • EXCELLENT QUALITY •



Waterproof with EPDM Seals



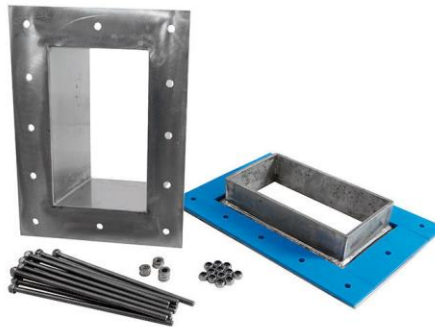
N6P with Roxtec Galvanized Kit



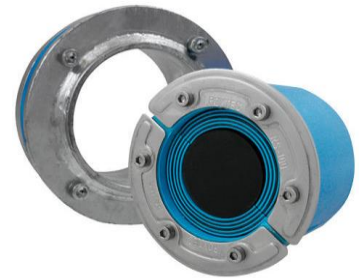
N6P with Roxtec Carbon Steel Kit



Roxtec S Frame



Roxtec GHM incl. gasket



Roxtec RS X kit solutions



Roxtec C RS T kit solutions



Roxtec UG™ kit solutions



Roxtec RG M63 kit solutions

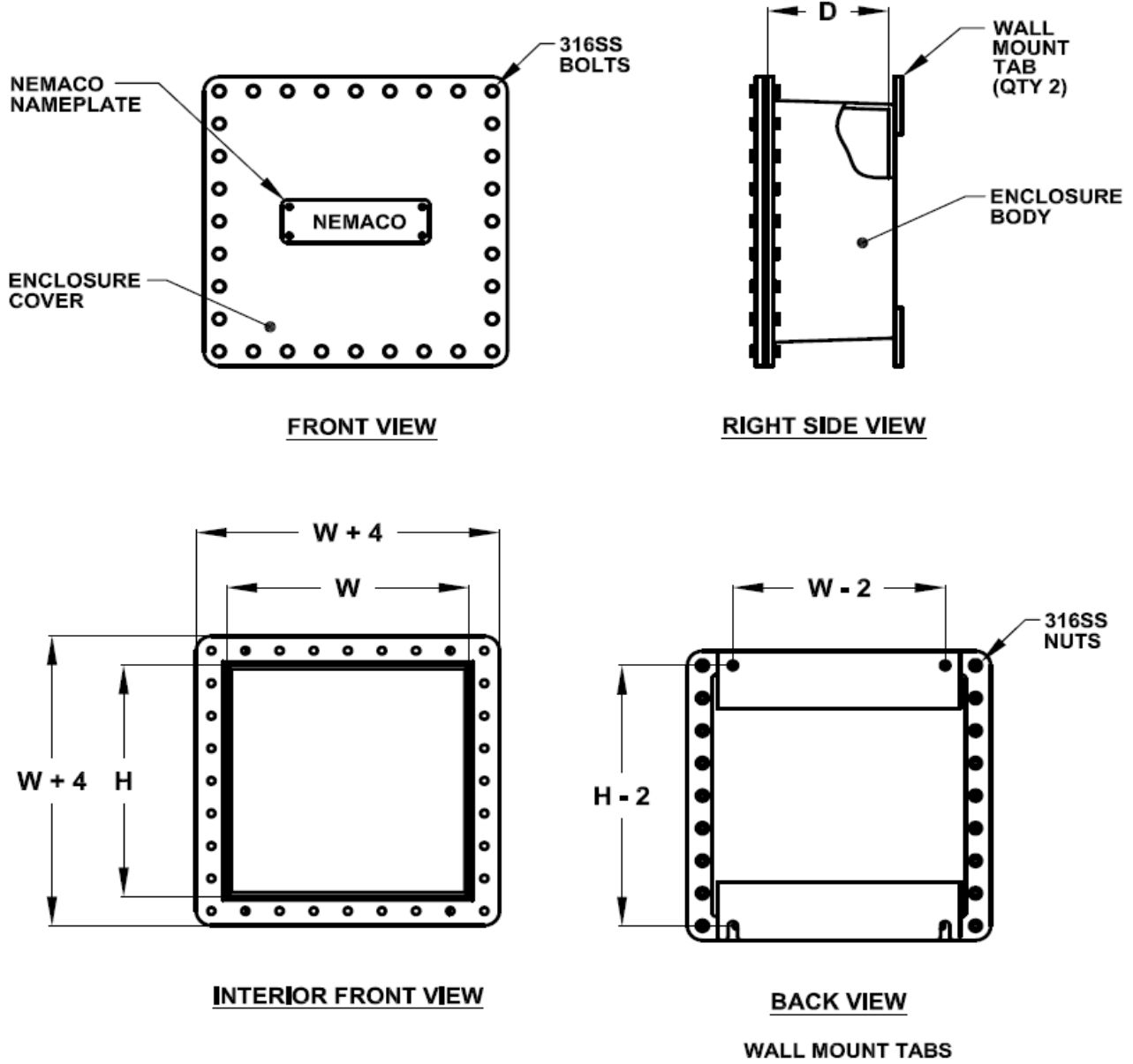
\* Roxtec is trademark of Roxtec International.

# Submersible - Fiberglass- NEMA 6P - Performance Enclosures

**NEMACO™**

Excellent Electrical Enclosures

Call Nemaco for Enclosure Solutions	Quality Enclosure Solutions
NemacoTech.com	



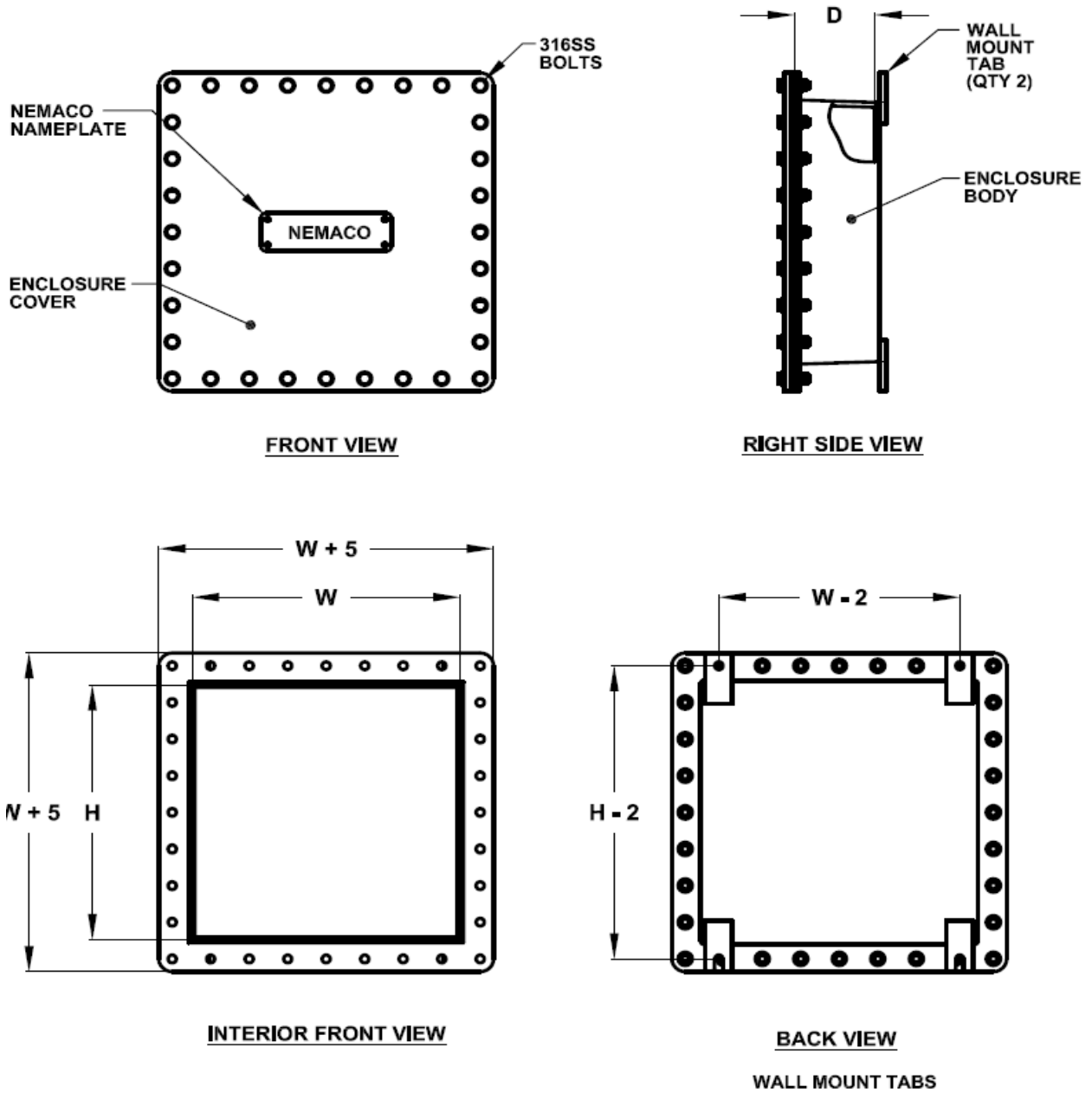
**FIGURE 1** Nemaco Submersible N6P - FRP Enclosures 16 x 16 or smaller

# Submersible - Fiberglass- NEMA 6P - Performance Enclosures

## NEMACO™

Excellent Electrical Enclosures

Call Nemaco for Enclosure Solutions NemacoTech.com	Quality Enclosure Solutions
---	-----------------------------



**FIGURE 2** Nemaco Submersible N6P - FRP Enclosures Larger than 16 x 16

# Submersible - Fiberglass- NEMA 6P - Performance Enclosures