

# NEMA 4X Enclosures - Stainless - Free Standing - Single Door

## NEMACO™

Excellent Electrical Enclosures



**Free Standing NEMA 4X Cabinet**

### Heavy Duty - NEMA 4X - 304 & 316 - Stainless Steel Cabinets

- Exceptional - Quality - Stainless Enclosures - designed for - All Weather Outdoor Usage.
- NEMA 4X "PCE" Enclosures designed for the toughest Chemical Plant Environments & Oil Rigs.
- Heavy Duty - Door Seals - Super "Rain Guard" Protection - Strong & Rigid Door Construction
- NEMA 4X Environmental Seals - provide Dust, Water Washdown, Snow and Rain Resistance.

### NEMA 4X - Excellent Craftsmanship - Quality Enclosure Materials

- 3 PT Latches - Pad Locking Handle - Rolling Wheels - Easy to Use Everyday
- 304 & 316 Stainless Steel Enclosures - Continuous & Smooth Welded Seams
- Interior Panels: White Powdercoated Steel, Aluminum & Stainless Steel.
- Air Conditioned Thermal Cooling Solutions Available (1,000 to 10,000 BTU)
- Adjustable 19" Rack Rails - Lexan Window Kits - Cable Gland Cover Plates
- Smooth and Continuous Tig Welded Stainless Seams. Super Fast Custom Solutions

Call Nemaco for Pricing & Availability

NemacoTech.com

## Quality Enclosure Solutions

• KEY FEATURES • EXCELLENT QUALITY •



**Easy to Open 3 PT Latch Roller Wheels**



**Rugged Handles - Security Padlock Provision**



**NEMA 4X Rain Gutter**



**Removable Lifting Pad-Eye**

Page 1 of 8

Nemaco Technology, LLC. "Nemaco" is a trademark of Nemaco Technology, LLC. All Rights Reserved.

Specifications are subject to change without notice. Rev. X4

# NEMA 4X Enclosures - Stainless - Free Standing - Single Door

## NEMACO™

Excellent Electrical Enclosures

Call Nemaco for Pricing & Availability	Quality Enclosure Solutions
NemacoTech.com	

Enclosure Part Number	Enclosure Size H x W x D	Mtl SS Type	Interior Panel - Options				Mtl Thk	Estimated Enclosure Wt (Lbs)
			Aluminum (non coated)	White Powder Coated Steel	304 Stainless (2B Finish)	Panel Size D x E		
N4X482412-FM1DR	48 x 24 x 12	304	N4-P4824A	N4-P4824EP	N4-P4824S4	45 X 21	12 ga	135.6
N4X482416-FM1DR	48 x 24 x 16	304						154.6
N4X482424-FM1DR	48 x 24 x 24	304						192.6
N4X482436-FM1DR	48 x 24 x 36	304						249.6
N4X483012-FM1DR	48 x 30 x 12	304	N4-P4830A	N4-P4830EP	N4-P4830S4	45 X 27	12 ga	159.3
N4X483016-FM1DR	48 x 30 x 16	304						179.9
N4X483024-FM1DR	48 x 30 x 24	304						221.1
N4X483036-FM1DR	48 x 30 x 36	304						282.9
N4X483612-FM1DR	48 x 36 x 12	304	N4-P4836A	N4-P4836EP	N4-P4836S4	45 X 33	12 ga	183.1
N4X483616-FM1DR	48 x 36 x 16	304						205.3
N4X483624-FM1DR	48 x 36 x 24	304						249.6
N4X483636-FM1DR	48 x 36 x 36	304						316.1
N4X542412-FM1DR	54 x 24 x 12	304	N4-P5424A	N4-P5424EP	N4-P5424S4	51 X 21	12 ga	149.8
N4X542416-FM1DR	54 x 24 x 16	304						170.4
N4X542424-FM1DR	54 x 24 x 24	304						211.6
N4X542436-FM1DR	54 x 24 x 36	304						273.4
N4X543012-FM1DR	54 x 30 x 12	304	N4-P5430A	N4-P5430EP	N4-P5430SS4	51 X 27	12 ga	175.9
N4X543016-FM1DR	54 x 30 x 16	304						198.1
N4X543024-FM1DR	54 x 30 x 24	304						242.5
N4X543036-FM1DR	54 x 30 x 36	304						309.0
N4X543612-FM1DR	54 x 36 x 12	304	N4-P5436A	N4-P5436EP	N4-P5436SS4	51 X 33	12 ga	202.1
N4X543616-FM1DR	54 x 36 x 16	304						225.8
N4X543624-FM1DR	54 x 36 x 24	304						273.4
N4X543636-FM1DR	54 x 36 x 36	304						344.6
N4X602412-FM1DR	60 x 24 x 12	304	N4-P6024A	N4-P6024EP	N4-P6024SS4	57 X 21	12 ga	164.1
N4X602416-FM1DR	60 x 24 x 16	304						186.2
N4X602424-FM1DR	60 x 24 x 24	304						230.6
N4X602436-FM1DR	60 x 24 x 36	304						297.1
N4X603012-FM1DR	60 x 30 x 12	304	N4-P6030A	N4-P6030EP	N4-P6030SS4	57 X 27	12 ga	192.6
N4X603016-FM1DR	60 x 30 x 16	304						216.3
N4X603024-FM1DR	60 x 30 x 24	304						263.9
N4X603036-FM1DR	60 x 30 x 36	304						335.1

# NEMA 4X Enclosures - Stainless - Free Standing - Single Door

## NEMACO™

Excellent Electrical Enclosures

Call Nemaco for Pricing & Availability NemacoTech.com			Quality Enclosure Solutions					
Enclosure Part Number	Enclosure Size H x W x D	Mtl SS Type	Interior Panel - Options				Mtl Thk	Estimated Enclosure Wt (Lbs)
			Aluminum (non coated)	White Powder Coated Steel	304 Stainless (2B Finish)	Panel Size D x E		
N4X603612-FM1DR	60 x 36 x 12	304	N4-P6036A	N4-P6036EP	N4-P6036SS4	33 X 27	12 ga	221.1
N4X603616-FM1DR	60 x 36 x 16	304						246.4
N4X603624-FM1DR	60 x 36 x 24	304						297.1
N4X603636-FM1DR	60 x 36 x 36	304						373.2
N4X662412-FM1DR	66 x 24 x 12	304	N4-P6624A	N4-P6624EP	N4-P6624SS4	63 X 21	12 ga	178.3
N4X662416-FM1DR	66 x 24 x 16	304						202.1
N4X662424-FM1DR	66 x 24 x 24	304						249.6
N4X662436-FM1DR	66 x 24 x 36	304						320.9
N4X663012-FM1DR	66 x 30 x 12	304	N4-P6630A	N4-P6630EP	N4-P6630SS4	63 X 27	12 ga	209.2
N4X663016-FM1DR	66 x 30 x 16	304						234.6
N4X663024-FM1DR	66 x 30 x 24	304						285.2
N4X663036-FM1DR	66 x 30 x 36	304						361.3
N4X663612-FM1DR	66 x 36 x 12	304	N4-P6636A	N4-P6636EP	N4-P6636SS4	63 X 33	12 ga	240.1
N4X663616-FM1DR	66 x 36 x 16	304						267.0
N4X663624-FM1DR	66 x 36 x 24	304						320.9
N4X663636-FM1DR	66 x 36 x 36	304						401.7
N4X722412-FM1DR	72 x 24 x 12	304	N4-P7224A	N4-P7224EP	N4-P7224SS4	69 X 21	12 ga	192.6
N4X722416-FM1DR	72 x 24 x 16	304						217.9
N4X722424-FM1DR	72 x 24 x 24	304						268.6
N4X722436-FM1DR	72 x 24 x 36	304						344.6
N4X723012-FM1DR	72 x 30 x 12	304	N4-P7230A	N4-P7230EP	N4-P7230SS4	69 X 27	12 ga	225.8
N4X723016-FM1DR	72 x 30 x 16	304						252.8
N4X723024-FM1DR	72 x 30 x 24	304						306.6
N4X723036-FM1DR	72 x 30 x 36	304						387.4
N4X723612-FM1DR	72 x 36 x 12	304	N4-P7236A	N4-P7236EP	N4-P7236SS4	69 X 33	12 ga	259.1
N4X723616-FM1DR	72 x 36 x 16	304						287.6
N4X723624-FM1DR	72 x 36 x 24	304						344.6
N4X723636-FM1DR	72 x 36 x 36	304						430.2
N4X782412-FM1DR	78 x 24 x 12	304	N4-P7824A	N4-P7824EP	N4-P7824SS4	75 X 21	12 ga	206.8
N4X782416-FM1DR	78 x 24 x 16	304						233.8
N4X782424-FM1DR	78 x 24 x 24	304						287.6
N4X782436-FM1DR	78 x 24 x 36	304						368.4
N4X783012-FM1DR	78 x 30 x 12	304	N4-P7830A	N4-P7830EP	N4-P7830SS4	75 X 27	12 ga	242.5
N4X783016-FM1DR	78 x 30 x 16	304						271.0
N4X783024-FM1DR	78 x 30 x 24	304						328.0
N4X783036-FM1DR	78 x 30 x 36	304						413.5
N4X783612-FM1DR	78 x 36 x 12	304	N4-P7836A	N4-P7836EP	N4-P7836SS4	75 X 33	12 ga	278.1
N4X783616-FM1DR	78 x 36 x 16	304						308.2
N4X783624-FM1DR	78 x 36 x 24	304						368.4
N4X783636-FM1DR	78 x 36 x 36	304						458.7

# NEMA 4X Enclosures - Stainless - Free Standing - Single Door

## NEMACO™

Excellent Electrical Enclosures

Call Nemaco for Pricing & Availability NemacoTech.com			Quality Enclosure Solutions					
Enclosure Part Number	Enclosure Size H x W x D	Mtl SS Type	Interior Panel - Options				Mtl Thk	Estimated Enclosure Wt (Lbs)
			Aluminum (non coated)	White Powder Coated Steel	304 Stainless (2B Finish)	Panel Size D x E		
N4X842412-FM1DR	84 x 24 x 12	304	N4-P8424A	N4-P8424EP	N4-P8424SS4	81 X 21	12 ga	221.1
N4X842416-FM1DR	84 x 24 x 16	304						249.6
N4X842424-FM1DR	84 x 24 x 24	304						306.6
N4X842436-FM1DR	84 x 24 x 36	304						392.2
N4X843012-FM1DR	84 x 30 x 12	304	N4-P8430A	N4-P8430EP	N4-P8430SS4	81 X 27	12 ga	259.1
N4X843016-FM1DR	84 x 30 x 16	304						289.2
N4X843024-FM1DR	84 x 30 x 24	304						349.4
N4X843036-FM1DR	84 x 30 x 36	304						439.7
N4X843612-FM1DR	84 x 36 x 12	304	N4-P8436A	N4-P8436EP	N4-P8436SS4	81 X 33	12 ga	297.1
N4X843616-FM1DR	84 x 36 x 16	304						328.8
N4X843624-FM1DR	84 x 36 x 24	304						392.2
N4X843636-FM1DR	84 x 36 x 36	304						487.2



**NEMA 4X Enclosure with Window Kit**

Factory Installed - Window Kits - Available for Select Sizes			
Part No.	Size (H x W)	Material*	Min. Enclosure Size
LW0606	6"x6"	Lexan	24" x 18"
LW0808	8"x8"	Lexan	24" x 18"
LW1005	10"x 5"	Lexan	24" x 18"
LW1317	13"x7"	Lexan	24" x 18"
LW1313	13"x13"	Lexan	24" x 24"
LW1515	15"x15"	Lexan	26" x 26"
LW1919	19"x19"	Lexan	30" x 30"
LW2020	20"x20"	Lexan	36" x 36"
LW2525	25"x25"	Lexan	36" x 36"
LW3725	37"x25"	Lexan	48" x 36"

Note: \* Other polycarbonate materials may be substituted.

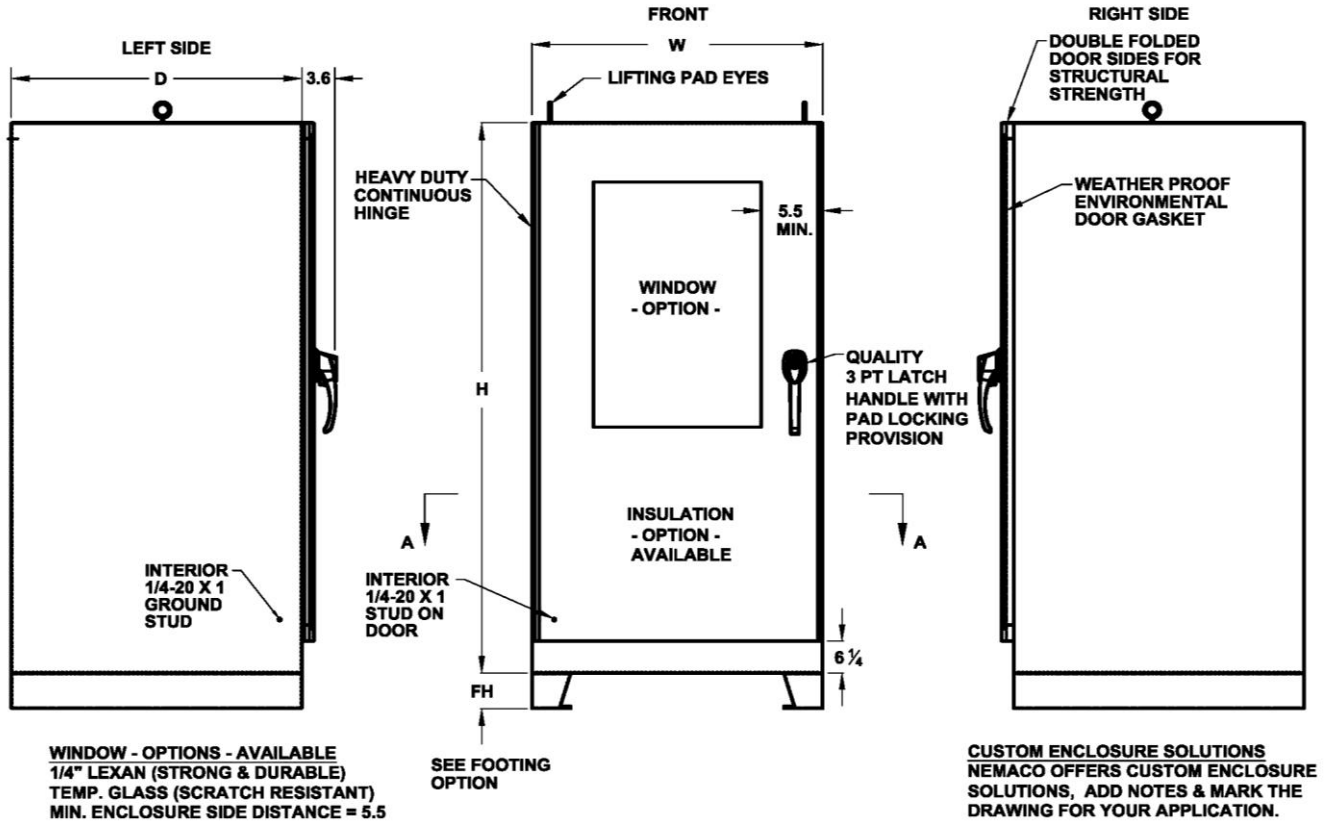
**Call Nemaco for Custom Size Windows & Glass Materials**

# NEMA 4X Enclosures - Stainless - Free Standing - Single Door

## NEMACO™

Excellent Electrical Enclosures

### Quality - NEMA 4X - Stainless Steel Enclosures



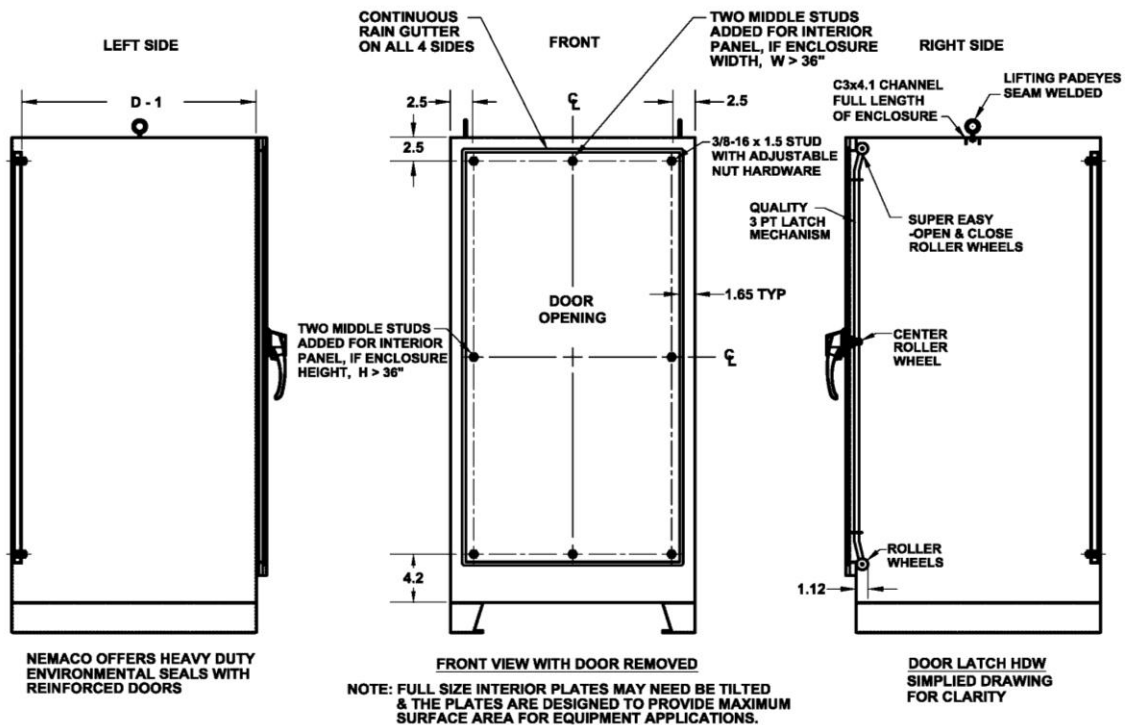
**FIG. 1 - NEMA 4X - "PCE" STAINLESS STEEL ENCLOSURE - EXTERIOR DIMENSIONS**

# NEMA 4X Enclosures - Stainless - Free Standing - Single Door

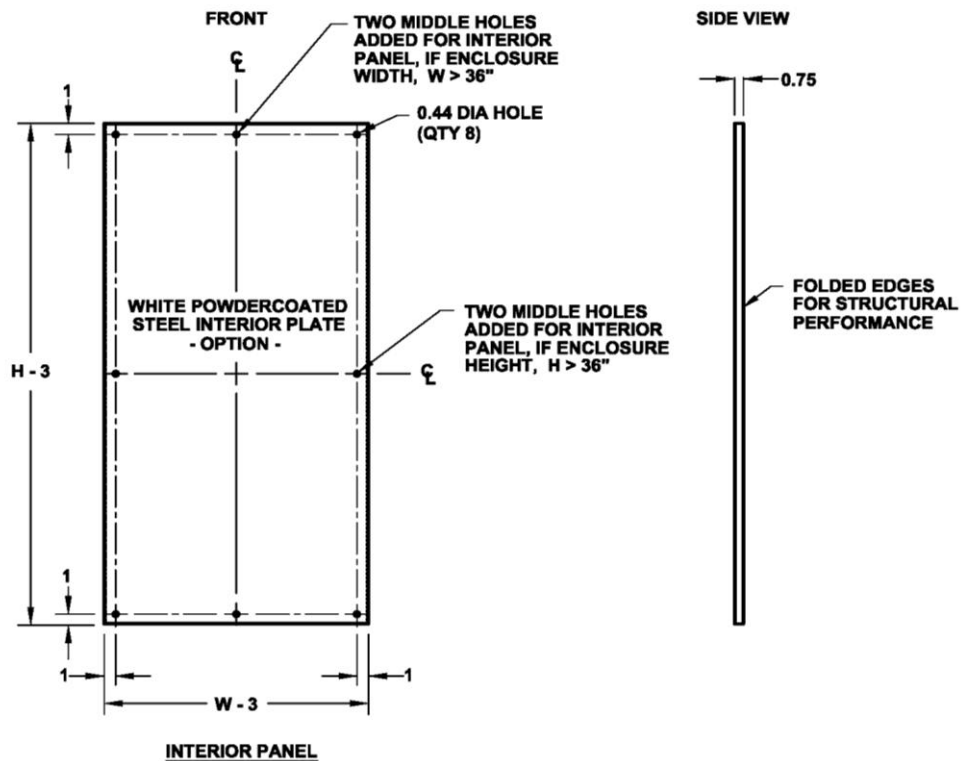
## NEMACO™

Excellent Electrical Enclosures

### Quality - NEMA 4X - Stainless Steel Enclosures



**FIG. 2 - NEMA 4X - "PCE" STAINLESS STEEL ENCLOSURE - INTERIOR DIMENSIONS & HARDWARE**

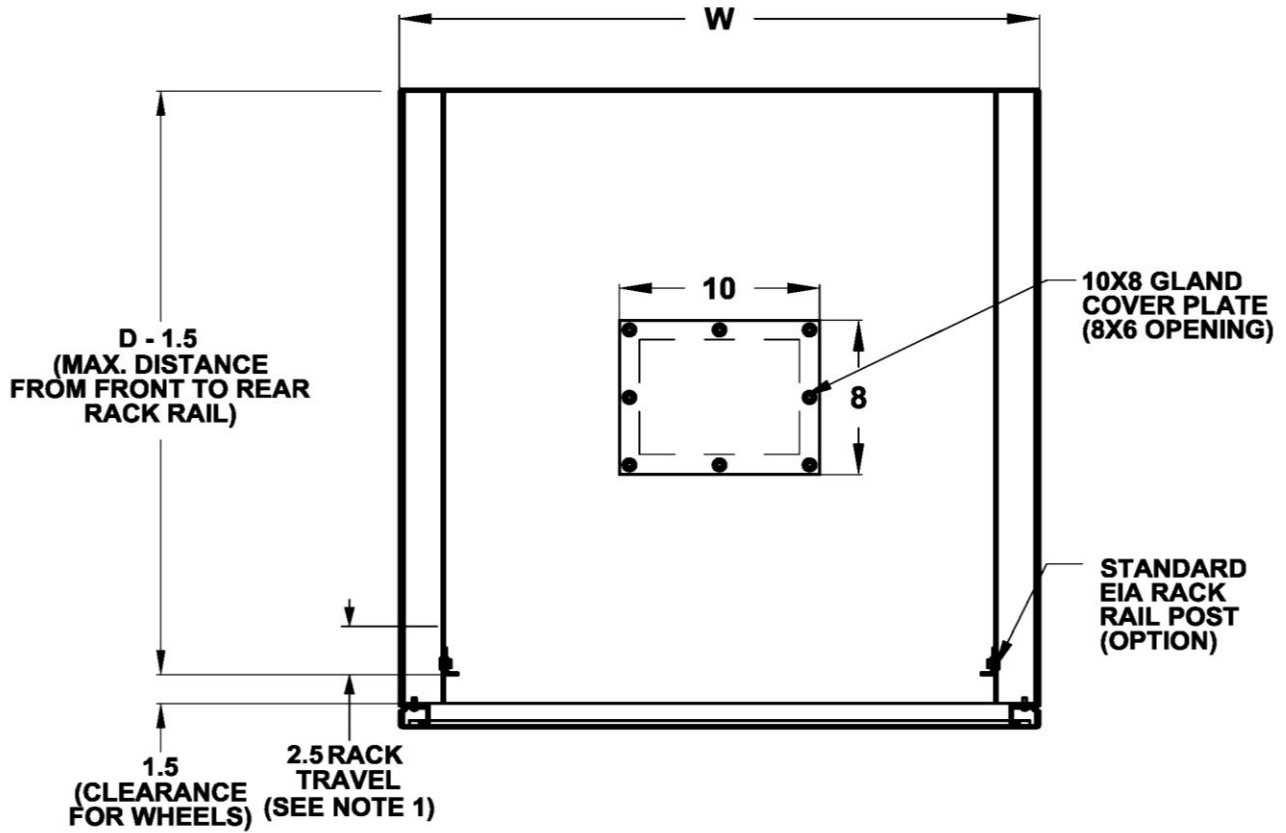


**FIG. 3 - INTERIOR PANEL - WHITE POWDERCOATED STEEL**

# NEMA 4X Enclosures - Stainless - Free Standing - Single Door

## NEMACO™

Excellent Electrical Enclosures



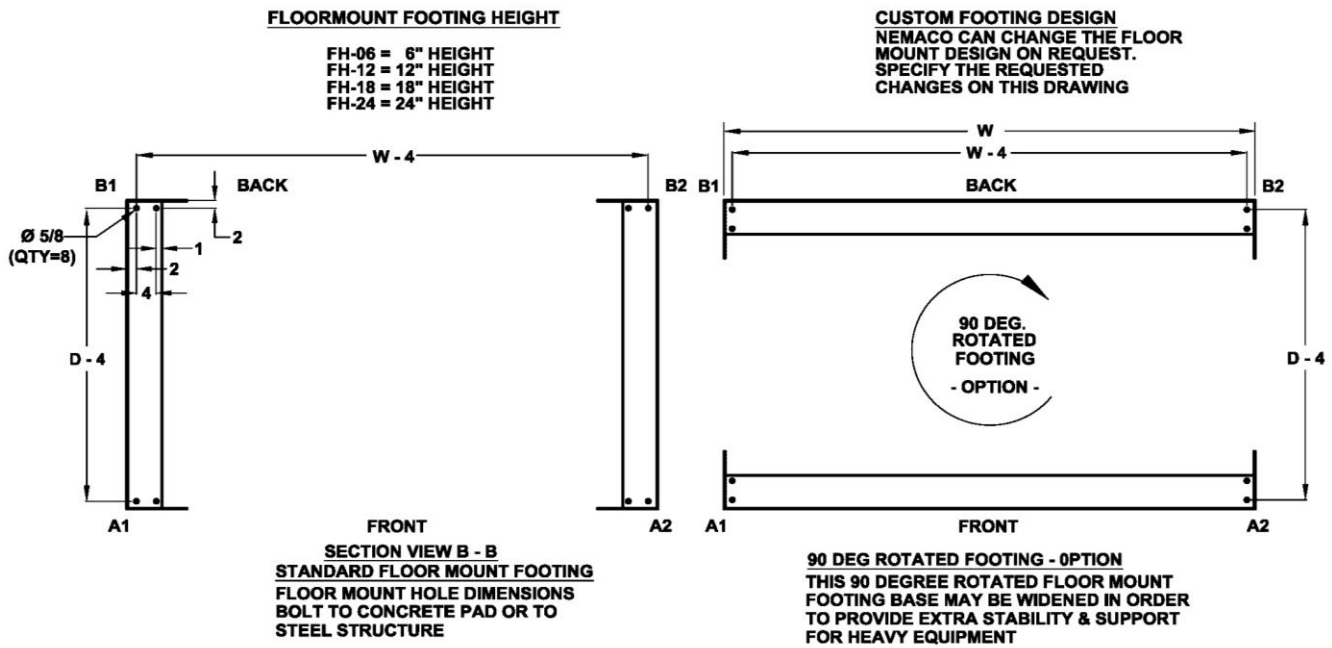
**FIGURE 4 SECTION VIEW A-A COVER PLATE & RACK RAIL OPTIONS**

REMOVABLE - GLAND PLATE COVERS - OPTION			
PART#	COVER SIZE	CUT-OUT DIMENSIONS	DESCRIPTION
FP1008-PC	10"X8"	8"X6"	COVER PLATE - POWDERCOATED STEEL (12 GA)
FP1008-PCA	10"X8"	8"X6"	COVER PLATE - POWDERCOATED ALUMINUM (1/8")
FP1008-304SS	10"X8"	8"X6"	COVER PLATE - 304 STAINLESS STEEL (12 GA)
FP1008-316SS	10"X8"	8"X6"	COVER PLATE - 316 STAINLESS STEEL (12 GA)

# NEMA 4X Enclosures - Stainless - Free Standing - Single Door

## NEMACO™

Excellent Electrical Enclosures



**FIGURE 5 FLOORMOUNT FOOTING - OPTIONS AVAILABLE**

- We offer "Smart" Air Conditioners with Remote Control Access & SCADA Ethernet Communications.
- 1,000 BTU to 20,000 BTU Air Conditioners are available with integrated heating options.

**Wire Ways & Cable Trays for Electrical Wiring and Fiber Optic Cables**

- Call US about assisting you with Copper Electrical Wiring / Fiber Optic Cables - Wire Ways
- We offer "Custom" Aluminum, Stainless Steel and Powder Coated Wire Ways.

**Stainless Steel - Rackmount - Server / SCADA - Enclosure & Cabinets - Solutions**

- Call US about assisting you with - Custom - Stainless Steel - 19" Rackmount Enclosures & Cabinets