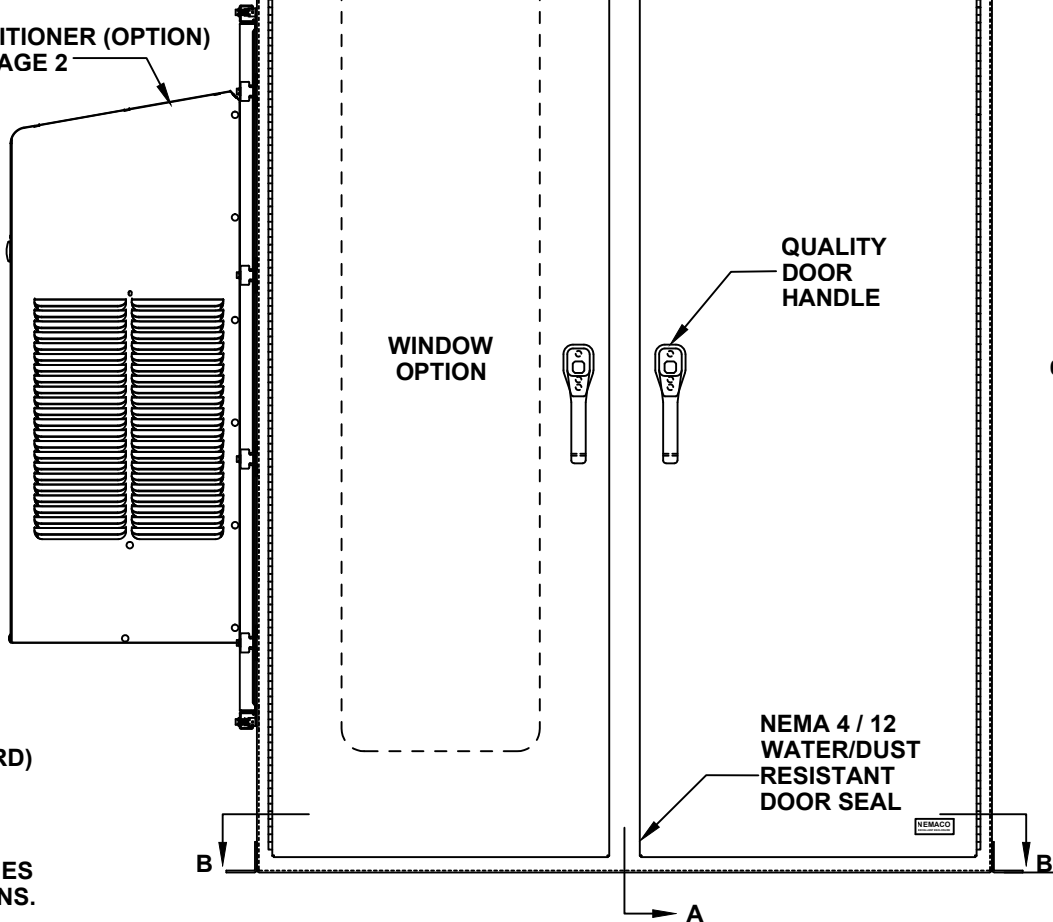


**NEMA 4X - ENCLOSURE  
19" RACKMOUNT - 36U  
FREE STANDING**

**STAINLESS STEEL**

- ENCLOSURE MATERIAL**
- 304 STAINLESS STEEL (S4)
  - 316 STAINLESS STEEL (S6)
- CORROSION PROTECTION PACKAGE**
- EXTERIOR PASSIVATION (STANDARD)
  - INTERIOR/EXTERIOR PASSIVATION (OPTION)
  - NOT REQUIRED (ON REQUEST ONLY)
- POWDERCOAT COLOR**
- WHITE
  - LIGHT GRAY ANSI 70
  - DARK GRAY ANSI 61
  - BLACK
  - CUSTOM \_\_\_\_\_
- ENCLOSURE CONSTRUCTION**
- 14 GA THK.
  - 12 GA THK.
- ENCLOSURE DOOR HINGE**
- CONTINUOUS PIANO HINGE (STANDARD)
  - REMOVABLE LIFT OFF HINGE

**AIR CONDITIONER (OPTION)  
REF. TO PAGE 2**



**66" H x 48" W x 42" D  
4 DOOR DESIGN**



FILE NUMBER: E507642

- LIFTING EYES**
- WELDED PADEYES (STANDARD)
  - REMOVABLE PADEYES
- \*WINDOW OPTIONS**
- TINTED WINDOW
  - TEMPERED GLASS
  - NOT REQUIRED
- DOOR HANDLES**
- PADLOCK PROVISION (STANDARD)
  - KEYLOCK (OPTION)
- BASE EXTENSION**
- 4" BASE EXTENSION
  - 6" BASE EXTENSION
  - 8" BASE EXTENSION
  - 10" BASE EXTENSION
  - 12" BASE EXTENSION
  - NOT REQUIRED

**\*NOTE: UL & NON-UL OPTIONS AVAILABLE**

**ALL DIMENSIONS ARE ESTIMATED IN INCHES  
AND MAY VARY DUE TO SELECTED OPTIONS.**

\_\_\_\_\_  
COMPANY NAME

\_\_\_\_\_  
APPROVED (PRINTED NAME)

\_\_\_\_\_  
SIGNATURE

\_\_\_\_\_  
DATE

**A/C MATERIAL (EXTERIOR)**

- 304 STAINLESS STEEL
- 316 STAINLESS STEEL
- OTHER \_\_\_\_\_

**AIR CONDITIONER**

- 1000 BTU
- 2000 BTU
- 3000 BTU
- 4000 BTU
- 5000 BTU
- 6000 BTU
- 8000 BTU
- 10000 BTU
- 12000 BTU
- 15000 BTU
- 20000 BTU
- SPECIFY \_\_\_\_\_
- NOT REQUIRED

**A/C VOLTAGE/ HZ**

- 115 VOLTS
- 230 VOLTS
- 480 VOLTS
- 60 HZ
- 50 HZ
- 48 VDC (CS011 / NE040 A/C ONLY)

**A/C INTEGRATED HEATER**

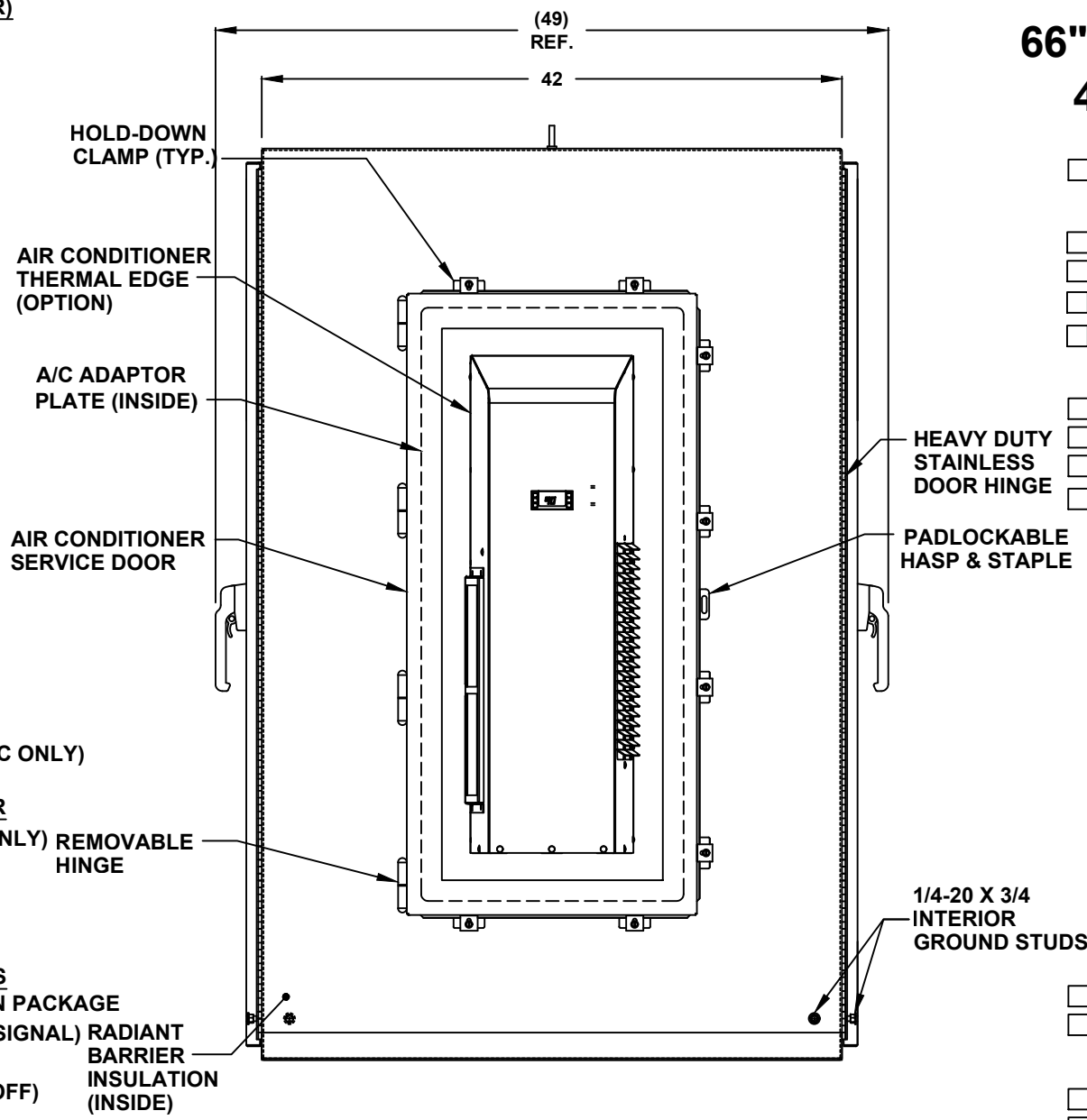
- 350 WATTS (CS011 A/C ONLY)
- 500 WATTS (C3020)
- 1000 WATTS
- EXTERNAL HEATER

**ADDITIONAL A/C OPTIONS**

- CORROSION PROTECTION PACKAGE
- DRY CONTACT (OUTPUT SIGNAL)
- 2" DEEP FILTERS
- PROXIMITY SWITCH (ON/OFF)
- RADIANT BARRIER INSULATION (INSIDE)

**AIR CONDITIONER- SCADA**

- MOBUS RTU 485 (2 WIRE) REMOTE NETWORK ETHERNET CONNECTION
- MOBUS GATEWAY ADD-ON



**66" H x 48" W x 42" D  
4 DOOR DESIGN**

**SUN REFLECTIVE SOLUTION**

- TOP SUNSHIELD COVER

**THERMAL SPECIFICATIONS**

- OUTSIDE (AMBIENT) \_\_\_\_\_ °F
- INTERIOR TEMP. \_\_\_\_\_ °F
- HEAT LOAD (WATTS) \_\_\_\_\_
- SUN / SHADE \_\_\_\_\_

**ENCLOSURE INSULATION**

- 1/2 RADIANT BARRIER (STANDARD)
- 3/4 RADIANT BARRIER
- 1 RADIANT BARRIER
- NOT REQUIRED

**A/C SERVICE DOOR**

- INSTALL A/C SERVICE DOOR
- NOT REQUIRED

**A/C SERVICE DOOR HINGE**

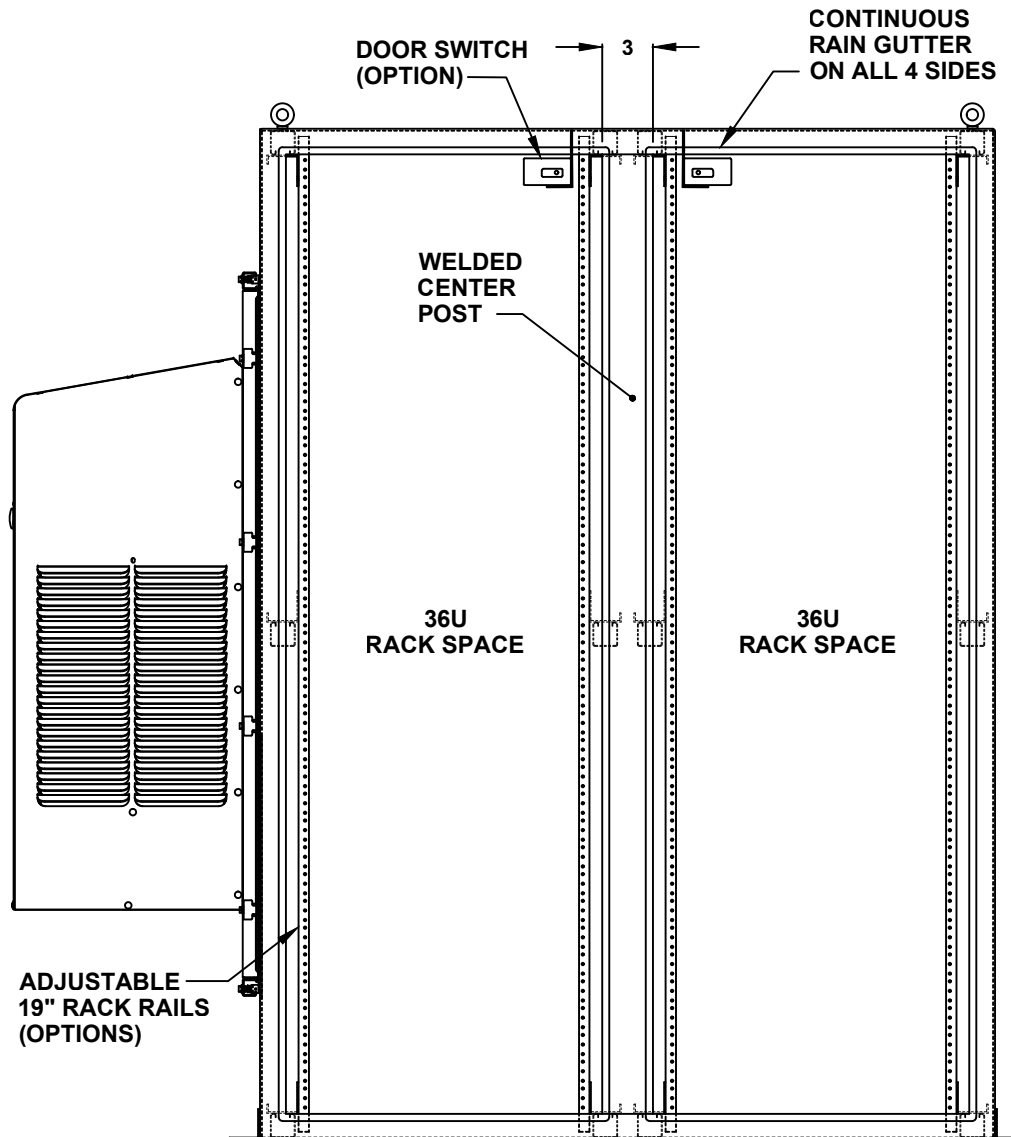
- REMOVABLE HINGE
- CONTINUOUS HINGE

**A/C ADAPTOR PLATE**

- INSTALL A/C ADAPTOR PLATE
- NOT REQUIRED

LEFT SIDE

**66" H x 48" W x 42" D**  
**4 DOOR DESIGN**



- DOOR OPTIONS**
- DOOR SWITCH
    - 10A (STANDARD)
    - 16A
  - PRINT POCKET
- CENTER POST**
- WELDED (STANDARD)
  - REMOVEABLE
- RACK RAIL POST**
- QTY 4 POST
  - QTY 8 POST (REARDOOR REQUIRED)
- RACK RAIL MATERIAL**
- POWDER COATED STEEL (STANDARD)
  - 304 STAINLESS STEEL (HEAVY DUTY)
- RACK RAIL MOUNTING HOLES**
- #10-32 TAP (STANDARD)
  - #1/4-20 TAP
  - 3/8 SQUARE

FRONT VIEW WITH DOOR REMOVED

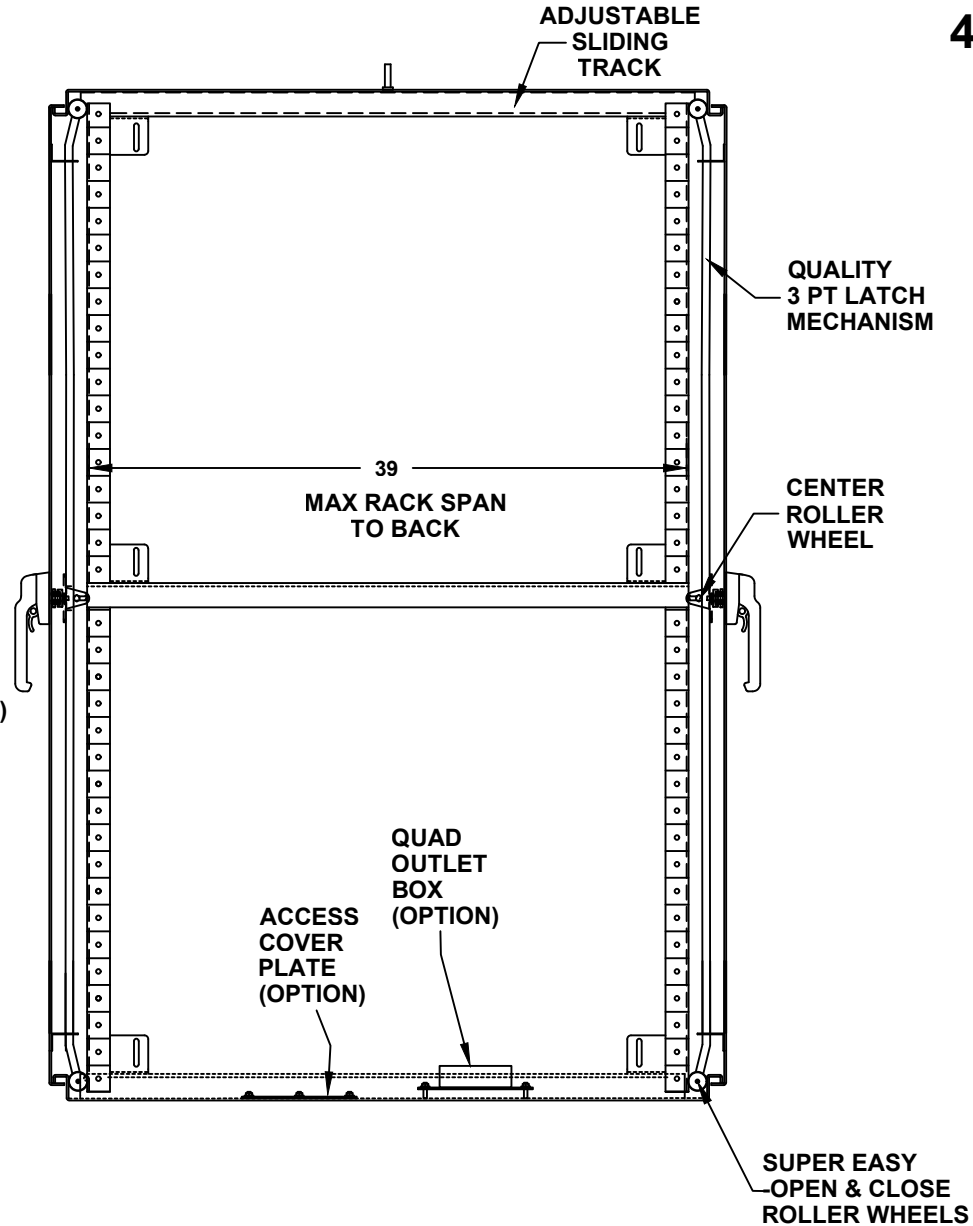
66" H x 48" W x 42" D  
4 DOOR DESIGN

- RACK SHELVES**
- STANDARD RACK SHELVES
  - SLIDING RACK SHELVES
  - RACK SHELF SUPPORT

- RACK DRAWERS**
- RACK DRAWERS
  - LAPTOP DRAWERS

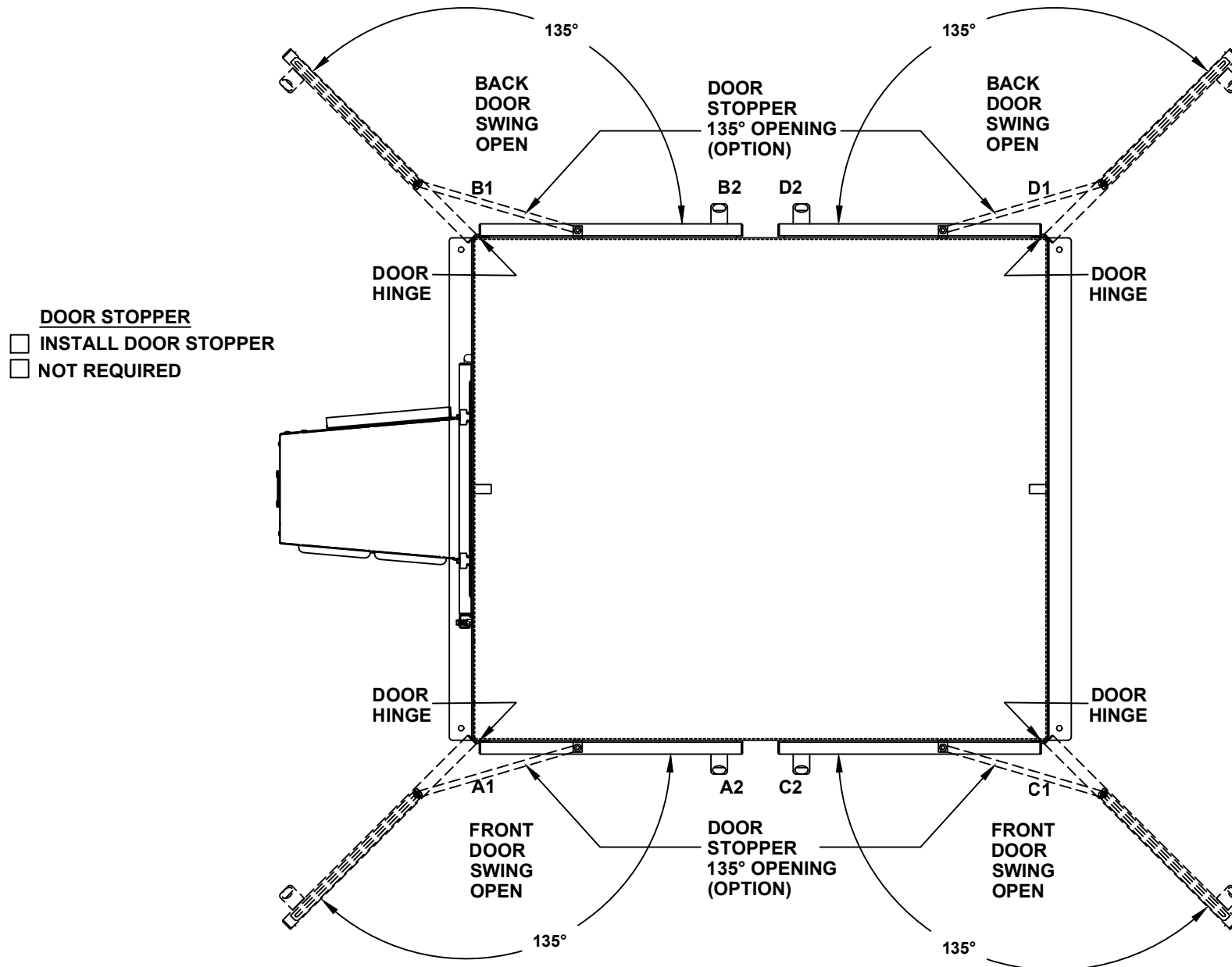
- RACK RAIL HARDWARE**
- BLACK CLIP NUTS, #10-32, (100 EA.)
  - #10/32 HIGH POINT SCREWS (100 EA.)
  - M6 CAGE NUTS

- OTHER OPTIONS**
- 19" RACK COPPER BUSBAR
  - VERTICAL RACK PDU



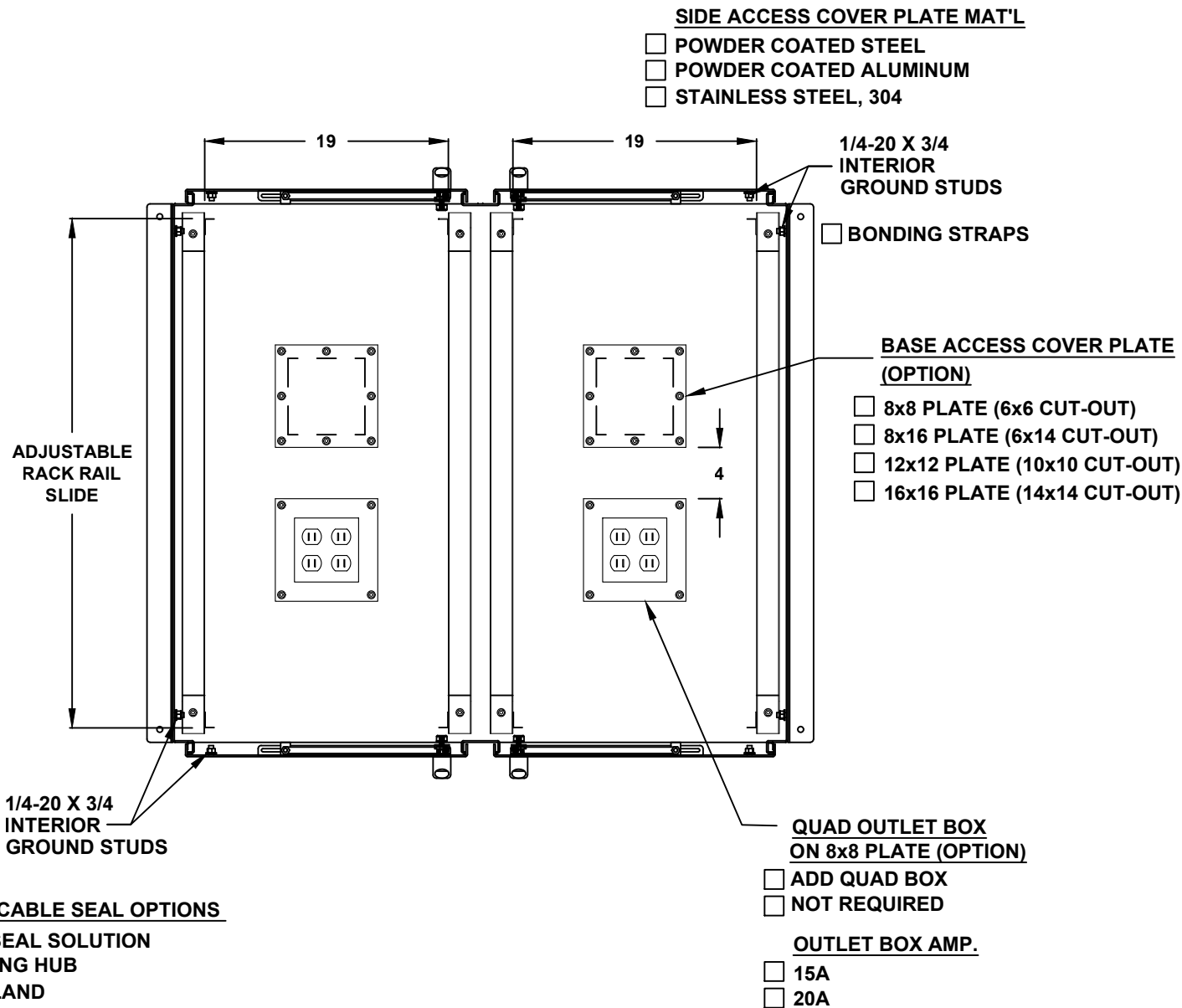
CROSS SECTION VIEW A-A

# 66" H x 48" W x 42" D 4 DOOR DESIGN



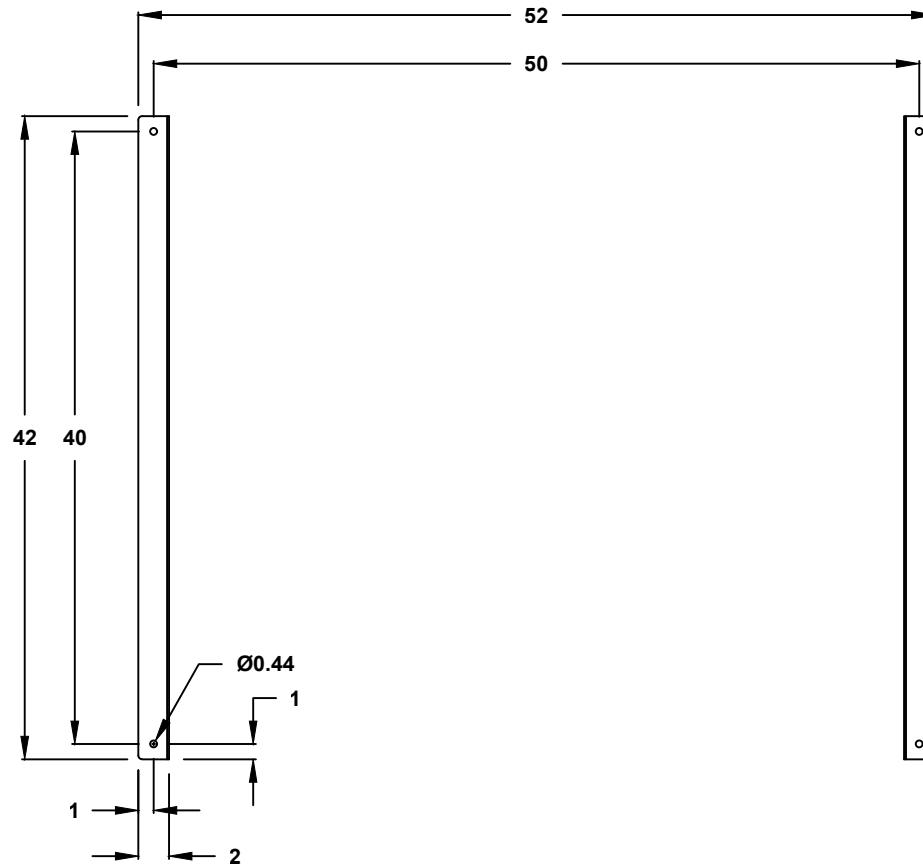
TOP VIEW

# 66" H x 48" W x 42" D 4 DOOR DESIGN



TOP CROSS SECTION VIEW B-B

# 66" H x 48" W x 42" D 4 DOOR DESIGN



CROSS SECTION VIEW B-B  
MOUNTING HOLES