

**NEMA 4X - ENCLOSURE  
19" RACKMOUNT - 32U  
FREE STANDING**

**60" H x 48" W x 36" D  
4 DOOR DESIGN**

**STAINLESS STEEL**



FILE NUMBER: E507642

- ENCLOSURE MATERIAL**
- 304 STAINLESS STEEL (S4)
  - 316 STAINLESS STEEL (S6)

**AIR CONDITIONER (OPTION)  
REF. TO PAGE 2**

- CORROSION PROTECTION PACKAGE**
- EXTERIOR PASSIVATION (STANDARD)
  - INTERIOR/EXTERIOR PASSIVATION (OPTION)
  - NOT REQUIRED (ON REQUEST ONLY)

- POWDERCOAT COLOR**
- WHITE
  - LIGHT GRAY ANSI 70
  - DARK GRAY ANSI 61
  - BLACK
  - CUSTOM \_\_\_\_\_

- ENCLOSURE CONSTRUCTION**
- 14 GA THK.
  - 12 GA THK.

- ENCLOSURE DOOR HINGE**
- CONTINUOUS PIANO HINGE (STANDARD)
  - REMOVABLE LIFT OFF HINGE

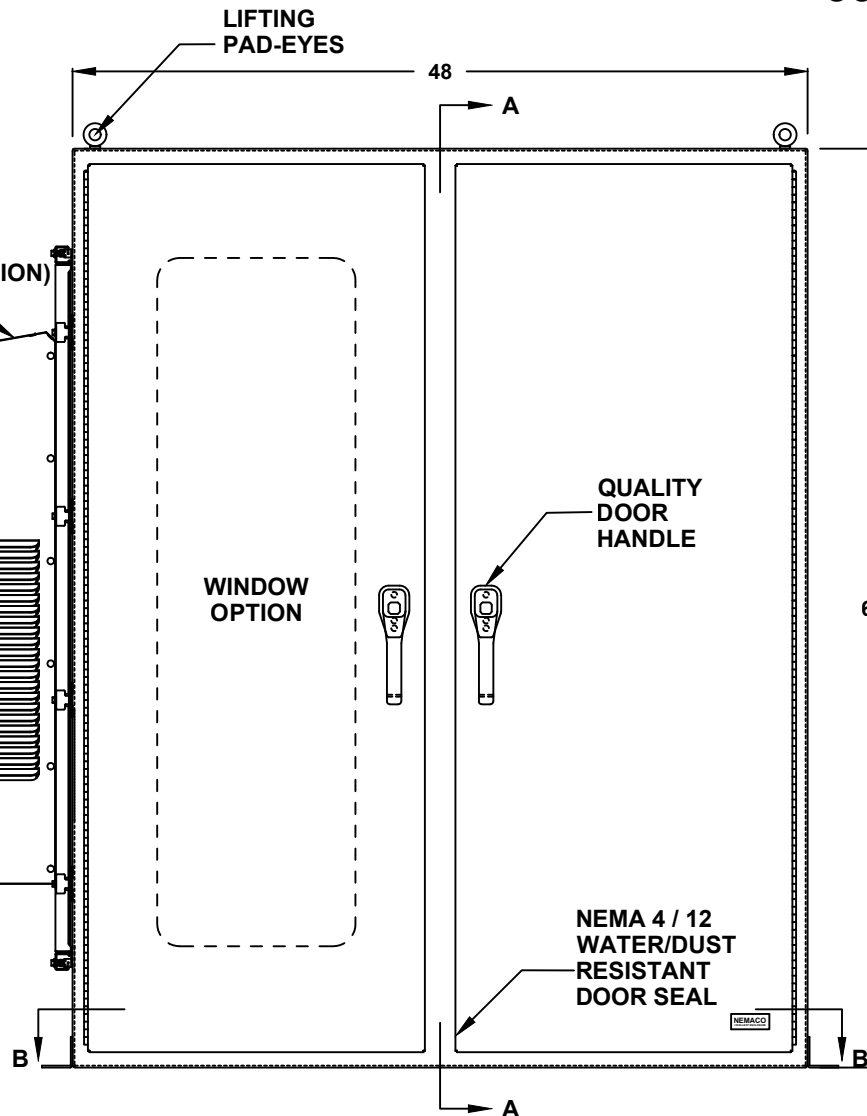
ALL DIMENSIONS ARE ESTIMATED IN INCHES AND MAY VARY DUE TO SELECTED OPTIONS.

\_\_\_\_\_  
COMPANY NAME

\_\_\_\_\_  
APPROVED (PRINTED NAME)

\_\_\_\_\_  
SIGNATURE

\_\_\_\_\_  
DATE



- LIFTING EYES**
- WELDED PADEYES (STANDARD)
  - REMOVABLE PADEYES

- \*WINDOW OPTIONS**
- TINTED WINDOW
  - TEMPERED GLASS
  - NOT REQUIRED

- DOOR HANDLES**
- PADLOCK PROVISION (STANDARD)
  - KEYLOCK (OPTION)

- BASE EXTENSION**
- 4" BASE EXTENSION
  - 6" BASE EXTENSION
  - 8" BASE EXTENSION
  - 10" BASE EXTENSION
  - 12" BASE EXTENSION
  - NOT REQUIRED

**\*NOTE: UL & NON-UL OPTIONS AVAILABLE**

**FRONT VIEW**

A/C MATERIAL (EXTERIOR)

- 304 STAINLESS STEEL
- 316 STAINLESS STEEL
- OTHER \_\_\_\_\_

AIR CONDITIONER

- 1000 BTU
- 2000 BTU
- 3000 BTU
- 4000 BTU
- 5000 BTU
- 6000 BTU
- 8000 BTU
- 10000 BTU
- 12000 BTU
- 15000 BTU
- 20000 BTU
- SPECIFY \_\_\_\_\_
- NOT REQUIRED

A/C VOLTAGE/ HZ

- 115 VOLTS
- 230 VOLTS
- 480 VOLTS
- 60 HZ
- 50 HZ
- 48 VDC (CS011 / NE040 A/C ONLY)

A/C INTEGRATED HEATER

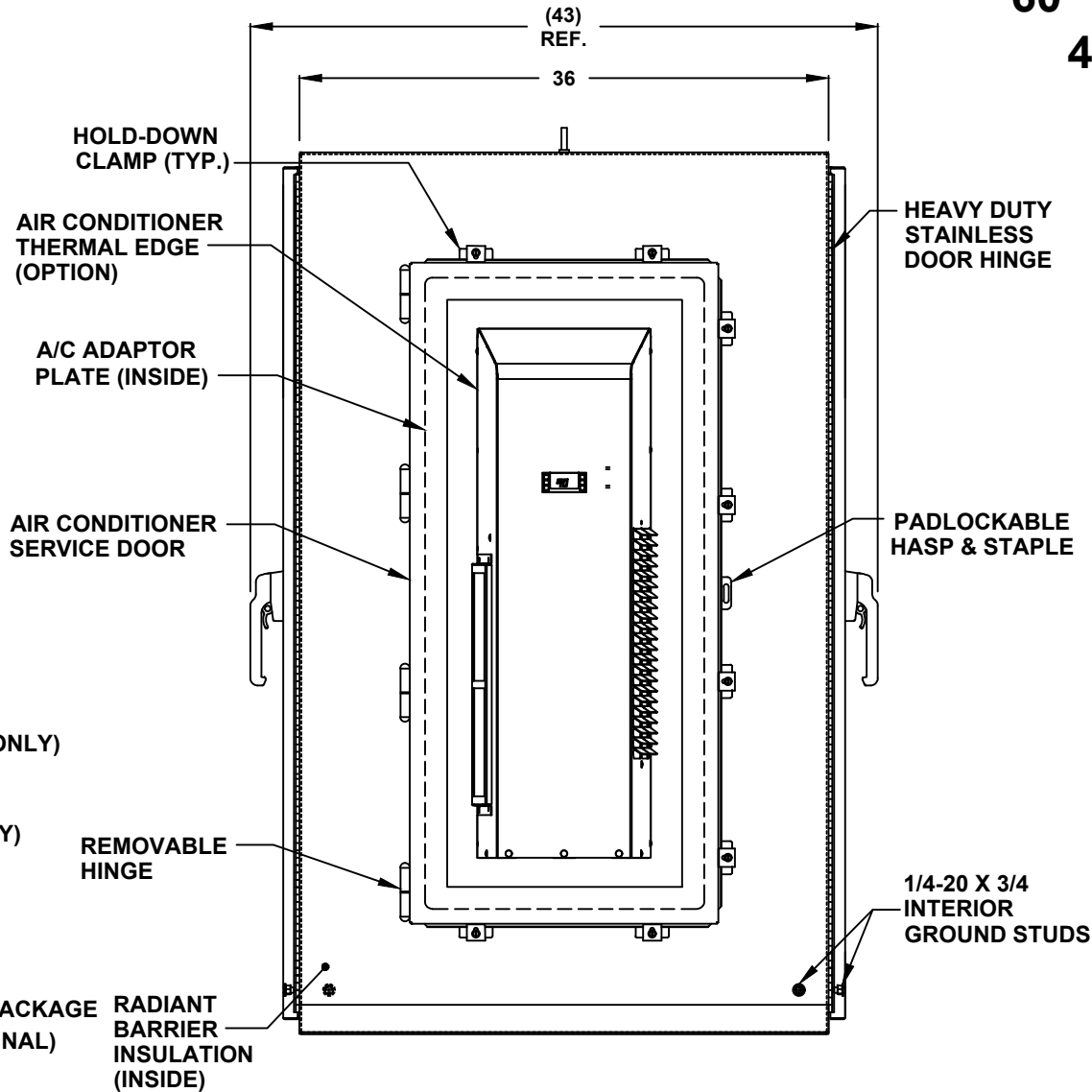
- 350 WATTS (CS011 A/C ONLY)
- 500 WATTS (C3020)
- 1000 WATTS
- EXTERNAL HEATER

ADDITIONAL A/C OPTIONS

- CORROSION PROTECTION PACKAGE
- DRY CONTACT (OUTPUT SIGNAL)
- 2" DEEP FILTERS
- PROXIMITY SWITCH (ON/OFF)

AIR CONDITIONER- SCADA

- MOBUS RTU 485 (2 WIRE)  
REMOTE NETWORK  
ETHERNET CONNECTION
- MOBUS GATEWAY  
ADD-ON



LEFT SIDE

**60" H x 48" W x 36" D  
4 DOOR DESIGN**

- SUN REFLECTIVE SOLUTION
- TOP SUNSHIELD COVER

- THERMAL SPECIFICATIONS
- OUTSIDE (AMBIENT) \_\_\_\_\_ °F
  - INTERIOR TEMP. \_\_\_\_\_ °F
  - HEAT LOAD (WATTS) \_\_\_\_\_
  - SUN / SHADE \_\_\_\_\_

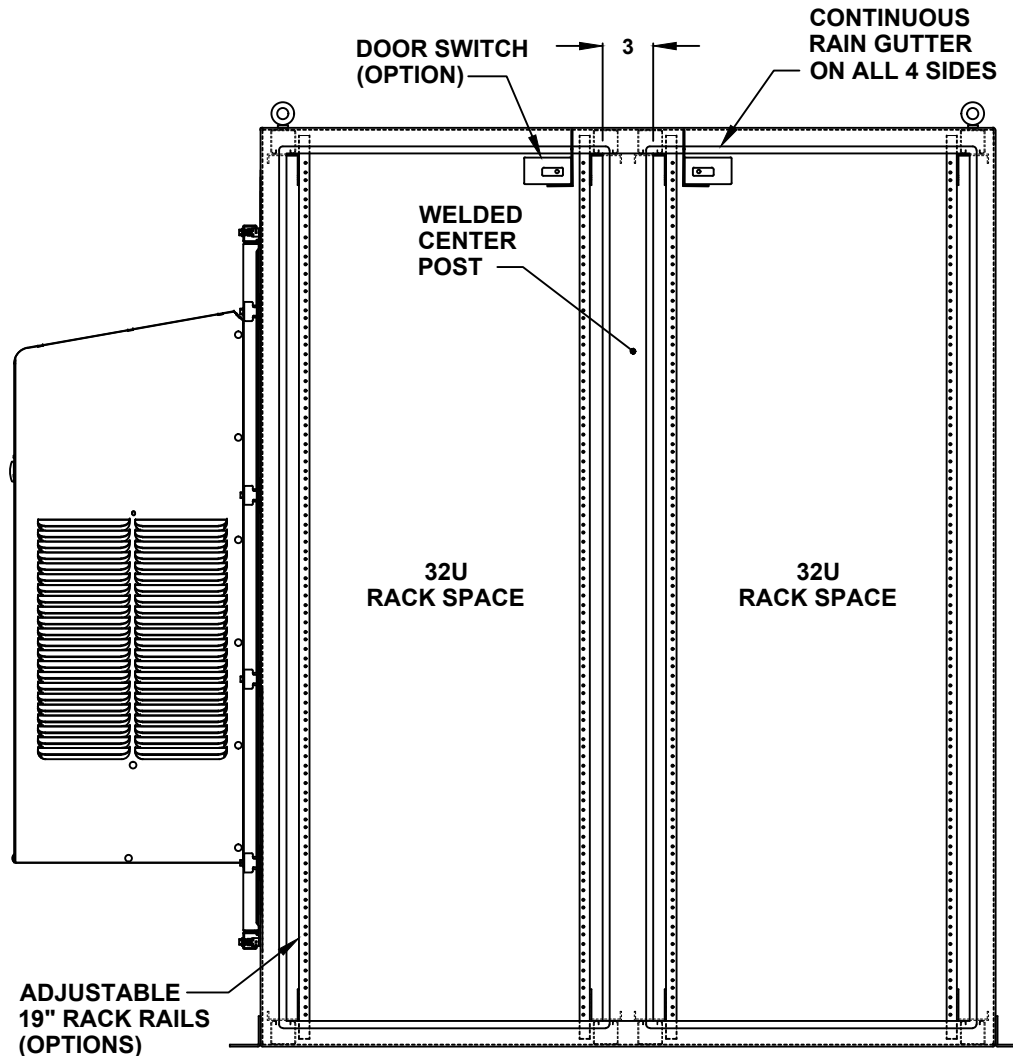
- ENCLOSURE INSULATION
- 1/2 RADIANT BARRIER (STANDARD)
  - 3/4 RADIANT BARRIER
  - 1 RADIANT BARRIER
  - NOT REQUIRED

- A/C SERVICE DOOR
- INSTALL A/C SERVICE DOOR
  - NOT REQUIRED

- A/C SERVICE DOOR HINGE
- REMOVABLE HINGE
  - CONTINUOUS HINGE

- A/C ADAPTOR PLATE
- INSTALL A/C ADAPTOR PLATE
  - NOT REQUIRED

# 60" H x 48" W x 36" D 4 DOOR DESIGN

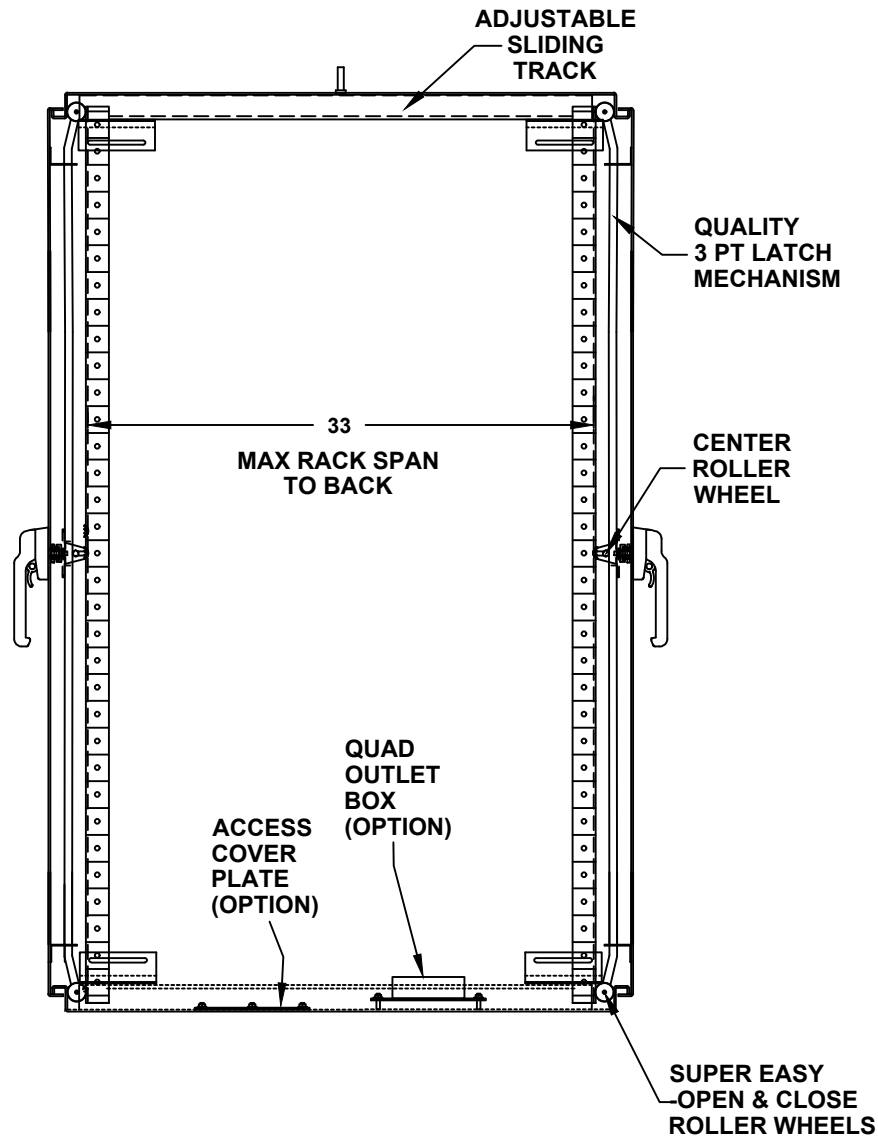


- DOOR OPTIONS**
- DOOR SWITCH
    - 10A (STANDARD)
    - 16A
  - PRINT POCKET
- CENTER POST**
- WELDED (STANDARD)
  - REMOVEABLE
- RACK RAIL POST**
- QTY 4 POST
  - QTY 8 POST (REARDOOR REQUIRED)
- RACK RAIL MATERIAL**
- POWDER COATED STEEL (STANDARD)
  - 304 STAINLESS STEEL (HEAVY DUTY)
- RACK RAIL MOUNTING HOLES**
- #10-32 TAP (STANDARD)
  - #1/4-20 TAP
  - 3/8 SQUARE

FRONT VIEW WITH DOOR REMOVED

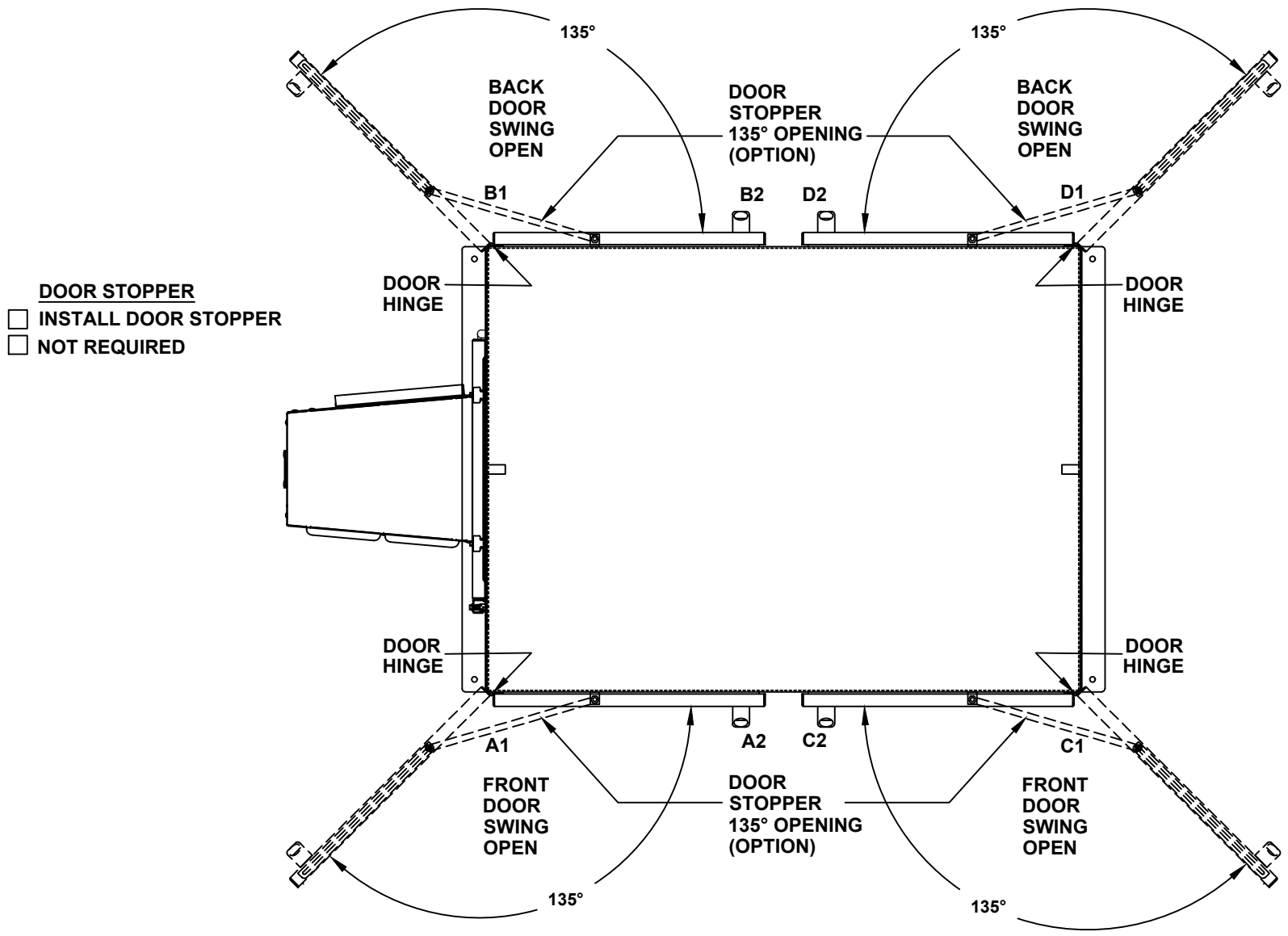
60" H x 48" W x 36" D  
4 DOOR DESIGN

- RACK SHELVES**
- STANDARD RACK SHELVES
  - SLIDING RACK SHELVES
  - RACK SHELF SUPPORT
- RACK DRAWERS**
- RACK DRAWERS
  - LAPTOP DRAWERS
- RACK RAIL HARDWARE**
- BLACK CLIP NUTS, #10-32, (100 EA.)
  - #10/32 HIGH POINT SCREWS (100 EA.)
  - M6 CAGE NUTS
- OTHER OPTIONS**
- 19" RACK COPPER BUSBAR
  - VERTICAL RACK PDU



CROSS SECTION VIEW A-A

# 60" H x 48" W x 36" D 4 DOOR DESIGN



TOP VIEW

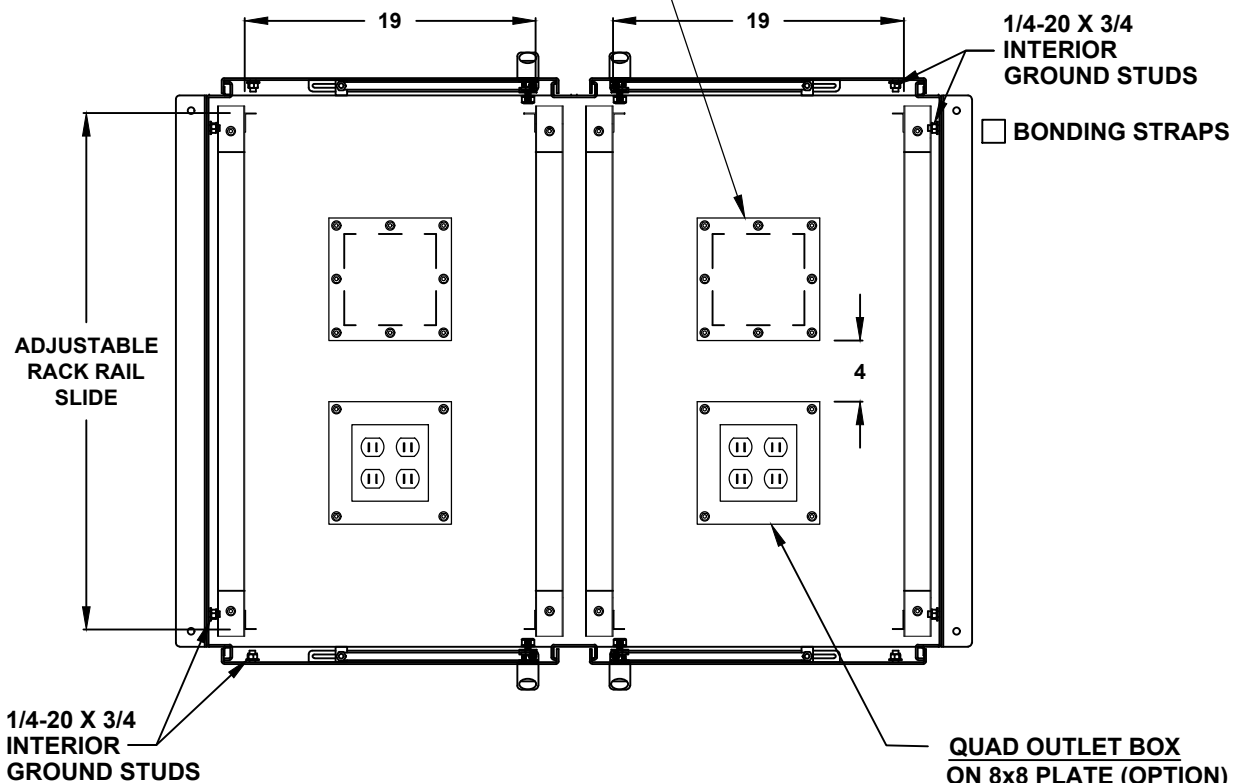
# 60" H x 48" W x 36" D 4 DOOR DESIGN

**BASE ACCESS COVER PLATE  
(OPTION)**

- 8x8 PLATE (6x6 CUT-OUT)
- 8x16 PLATE (6x14 CUT-OUT)
- 12x12 PLATE (10x10 CUT-OUT)
- 16x16 PLATE (14x14 CUT-OUT)

**SIDE ACCESS COVER PLATE MAT'L**

- POWDER COATED STEEL
- POWDER COATED ALUMINUM
- STAINLESS STEEL, 304



**CONDUIT/CABLE SEAL OPTIONS**

- ROXTEC SEAL SOLUTION
- PIPE FITTING HUB
- CABLE GLAND

**QUAD OUTLET BOX  
ON 8x8 PLATE (OPTION)**

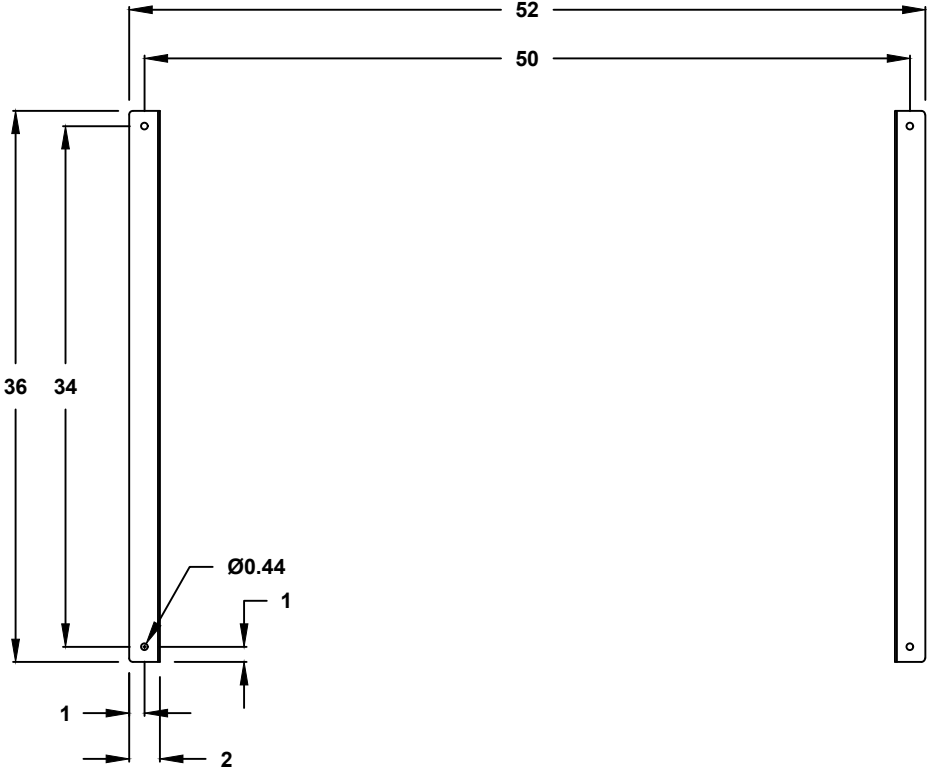
- ADD QUAD BOX
- NOT REQUIRED

**OUTLET BOX AMP.**

- 15A
- 20A

**TOP CROSS SECTION VIEW B-B**

# 60" H x 48" W x 36" D 4 DOOR DESIGN



CROSS SECTION VIEW B-B  
MOUNTING HOLES