

**NEMA 4X - ENCLOSURE  
19" RACKMOUNT - 32U  
FLOOR MOUNT**

**60" H x 48" W x 48" D  
4 DOOR DESIGN**

**STAINLESS STEEL**



FILE NUMBER: E507642

**AIR CONDITIONER (OPTION)  
REF. TO PAGE 2**

**ENCLOSURE MATERIAL**

- 304 STAINLESS STEEL (S4)
- 316 STAINLESS STEEL (S6)

**CORROSION PROTECTION PACKAGE**

- EXTERIOR PASSIVATION (STANDARD)
- INTERIOR/EXTERIOR PASSIVATION (OPTION)
- NOT REQUIRED (ON REQUEST ONLY)

**POWDERCOAT COLOR**

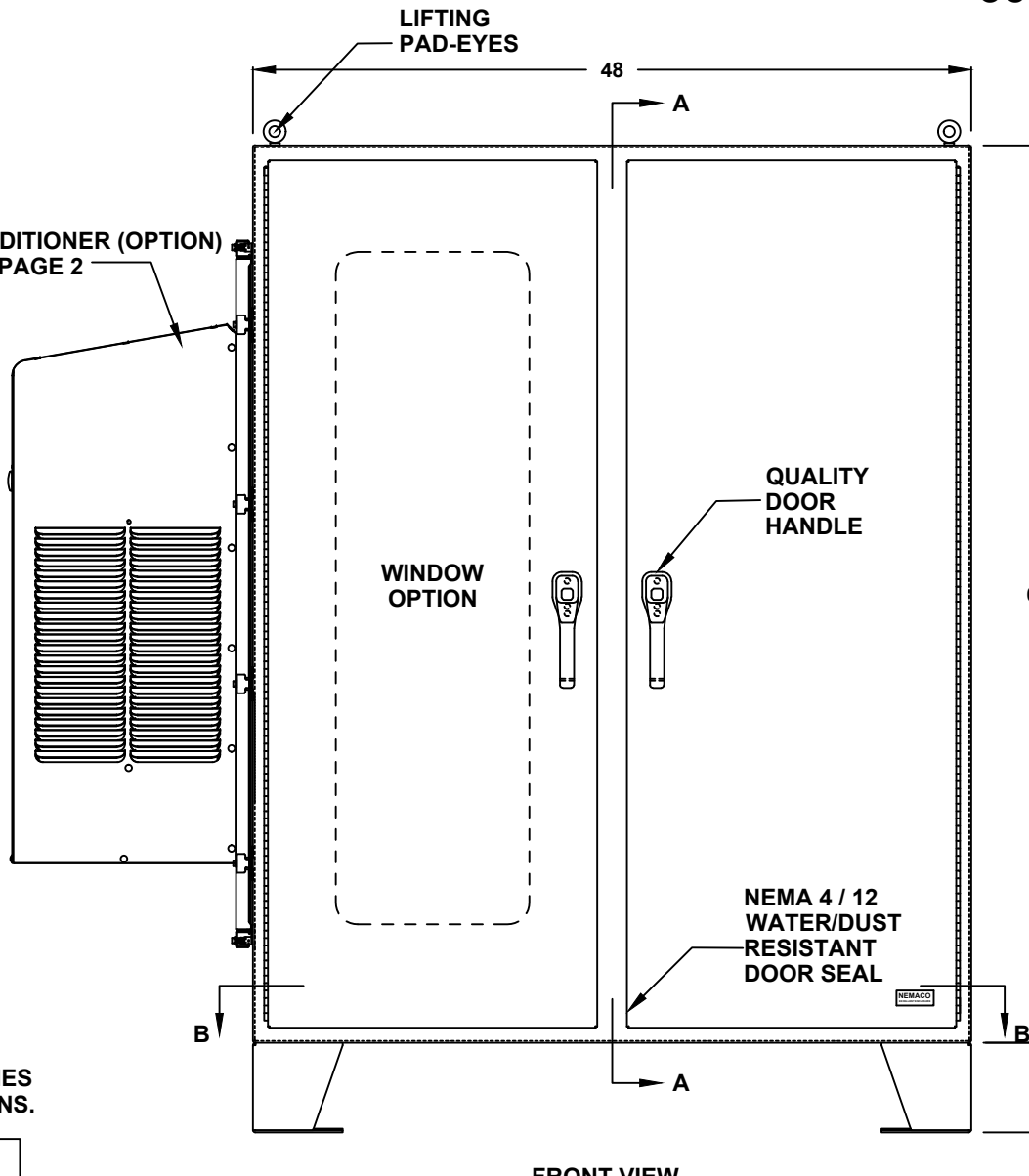
- WHITE
- LIGHT GRAY ANSI 70
- DARK GRAY ANSI 61
- BLACK
- CUSTOM \_\_\_\_\_

**ENCLOSURE CONSTRUCTION**

- 14 GA THK.
- 12 GA THK.

**ENCLOSURE DOOR HINGE**

- CONTINUOUS PIANO HINGE (STANDARD)
- REMOVABLE LIFT OFF HINGE



**LIFTING EYES**

- WELDED PADEYES (STANDARD)
- REMOVABLE PADEYES

**\*WINDOW OPTIONS**

- TINTED WINDOW
- TEMPERED GLASS
- NOT REQUIRED

**DOOR HANDLES**

- PADLOCK PROVISION (STANDARD)
- KEYLOCK (OPTION)

**FLOOR KIT**

- 6" HT. (STANDARD)
- 8" HT.
- 10" HT.
- 12" HT.
- CUSTOM \_\_\_\_\_

\*NOTE: UL & NON-UL OPTIONS AVAILABLE

ALL DIMENSIONS ARE ESTIMATED IN INCHES AND MAY VARY DUE TO SELECTED OPTIONS.

COMPANY NAME \_\_\_\_\_

APPROVED (PRINTED NAME) \_\_\_\_\_

SIGNATURE \_\_\_\_\_ DATE \_\_\_\_\_

**FRONT VIEW**

**60" H x 48" W x 48" D  
4 DOOR DESIGN**

**A/C MATERIAL (EXTERIOR)**

- 304 STAINLESS STEEL
- 316 STAINLESS STEEL
- OTHER \_\_\_\_\_

**AIR CONDITIONER**

- 1000 BTU
- 2000 BTU
- 3000 BTU
- 4000 BTU
- 5000 BTU
- 6000 BTU
- 8000 BTU
- 10000 BTU
- 12000 BTU
- 15000 BTU
- 20000 BTU
- SPECIFY \_\_\_\_\_
- NOT REQUIRED

**A/C VOLTAGE/ HZ**

- 115 VOLTS
- 230 VOLTS
- 480 VOLTS
- 60 HZ
- 50 HZ
- 48 VDC (CS011 / NE040 A/C ONLY)

**A/C INTEGRATED HEATER**

- 350 WATTS (CS011 A/C ONLY)
- 500 WATTS (C3020)
- 1000 WATTS
- EXTERNAL HEATER

**ADDITIONAL A/C OPTIONS**

- CORROSION PROTECTION PACKAGE
- DRY CONTACT (OUTPUT SIGNAL)
- 2" DEEP FILTERS
- PROXIMITY SWITCH (ON/OFF)

**AIR CONDITIONER- SCADA**

- MOBUS RTU 485 (2 WIRE)  
REMOTE NETWORK  
ETHERNET CONNECTION
- MOBUS GATEWAY  
ADD-ON

**SUN REFLECTIVE SOLUTION**

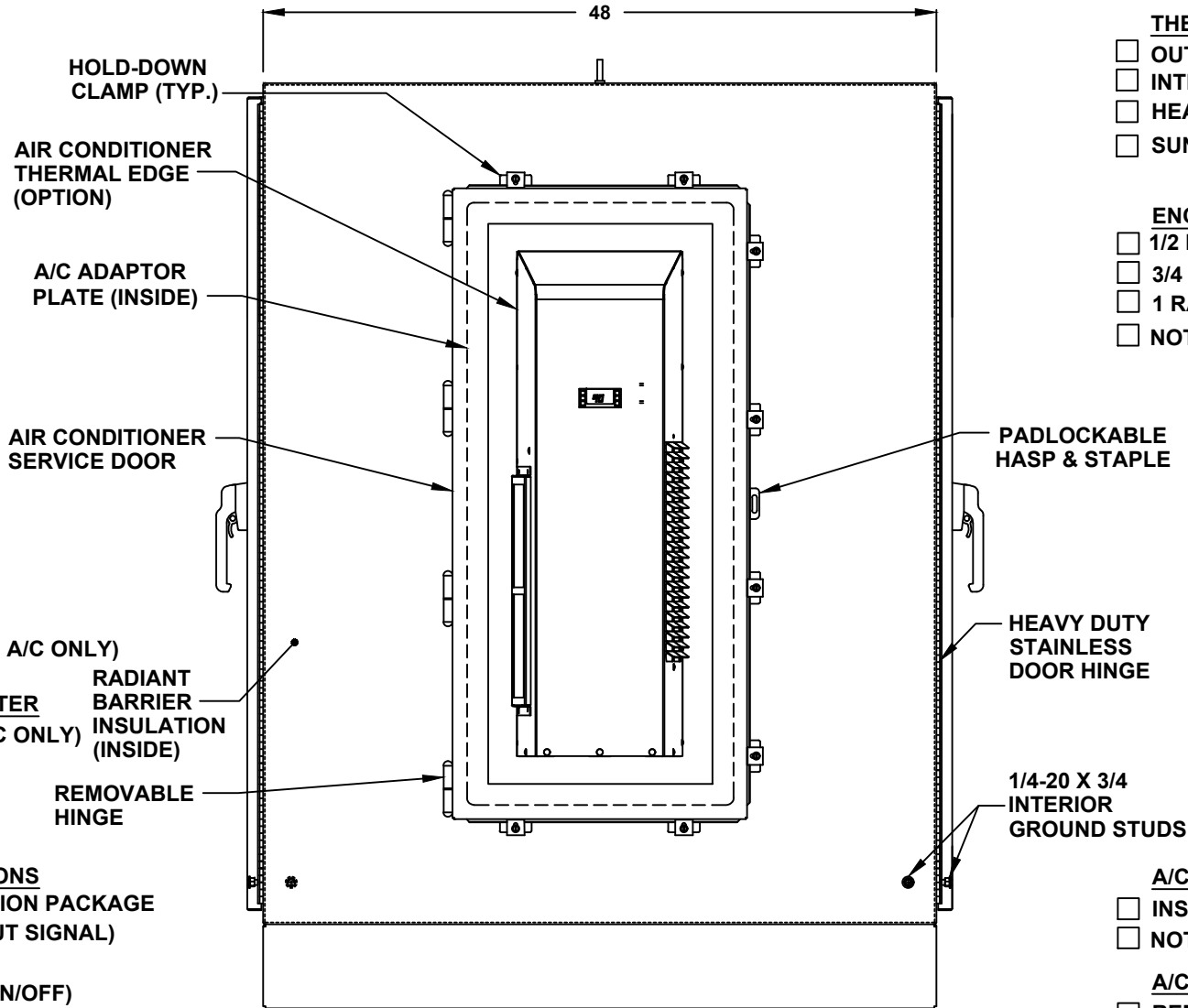
- TOP SUNSHIELD COVER

**THERMAL SPECIFICATIONS**

- OUTSIDE (AMBIENT) \_\_\_\_\_ °F
- INTERIOR TEMP. \_\_\_\_\_ °F
- HEAT LOAD (WATTS) \_\_\_\_\_
- SUN / SHADE \_\_\_\_\_

**ENCLOSURE INSULATION**

- 1/2 RADIANT BARRIER (STANDARD)
- 3/4 RADIANT BARRIER
- 1 RADIANT BARRIER
- NOT REQUIRED



**LEFT SIDE**

**A/C SERVICE DOOR**

- INSTALL A/C SERVICE DOOR
- NOT REQUIRED

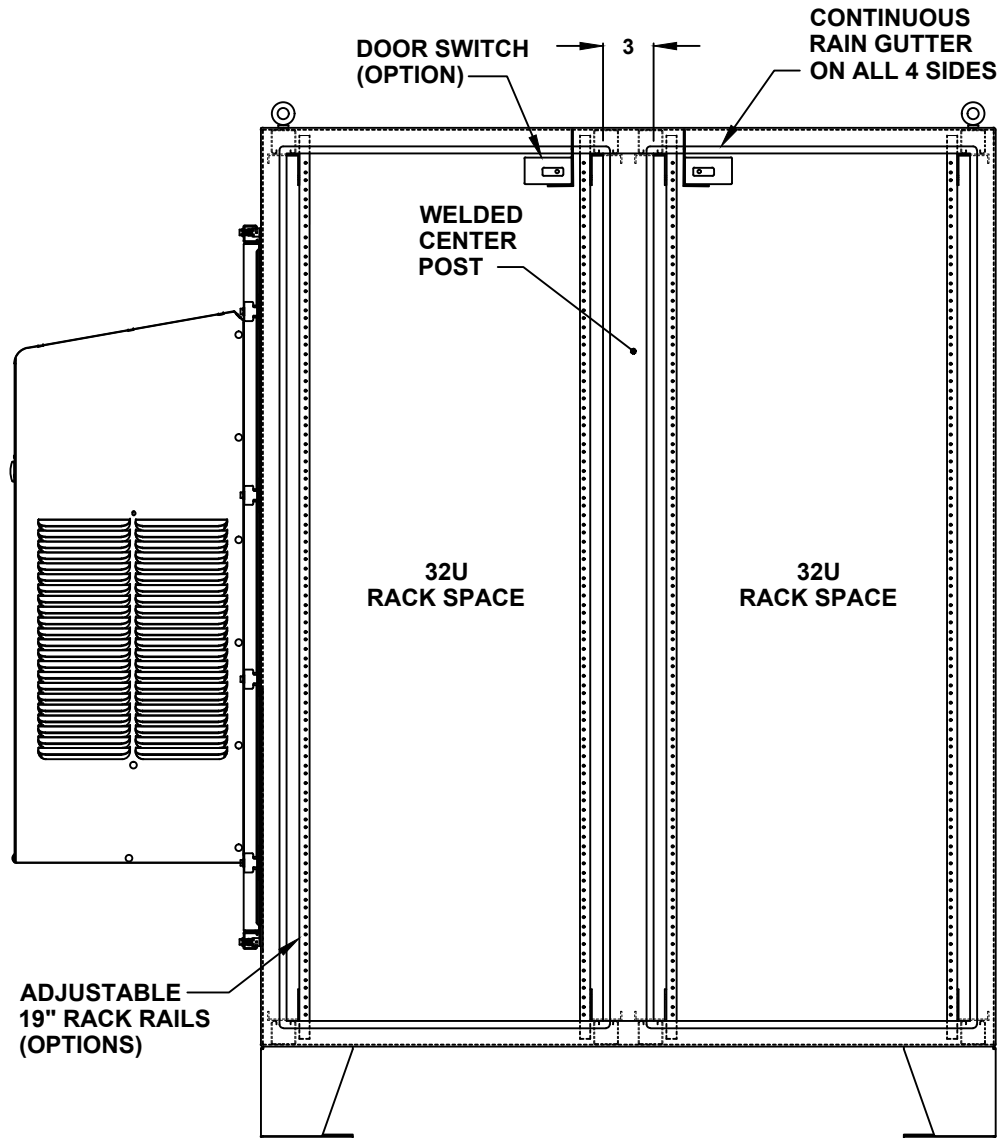
**A/C SERVICE DOOR HINGE**

- REMOVABLE HINGE
- CONTINUOUS HINGE

**A/C ADAPTOR PLATE**

- INSTALL A/C ADAPTOR PLATE
- NOT REQUIRED

# 60" H x 48" W x 48" D 4 DOOR DESIGN



FRONT VIEW WITH DOOR REMOVED

**DOOR OPTIONS**

- DOOR SWITCH
  - 10A (STANDARD)
  - 16A
- PRINT POCKET

**CENTER POST**

- WELDED (STANDARD)
- REMOVEABLE

**RACK RAIL POST**

- QTY 4 POST
- QTY 8 POST (REARDOOR REQUIRED)

**RACK RAIL MATERIAL**

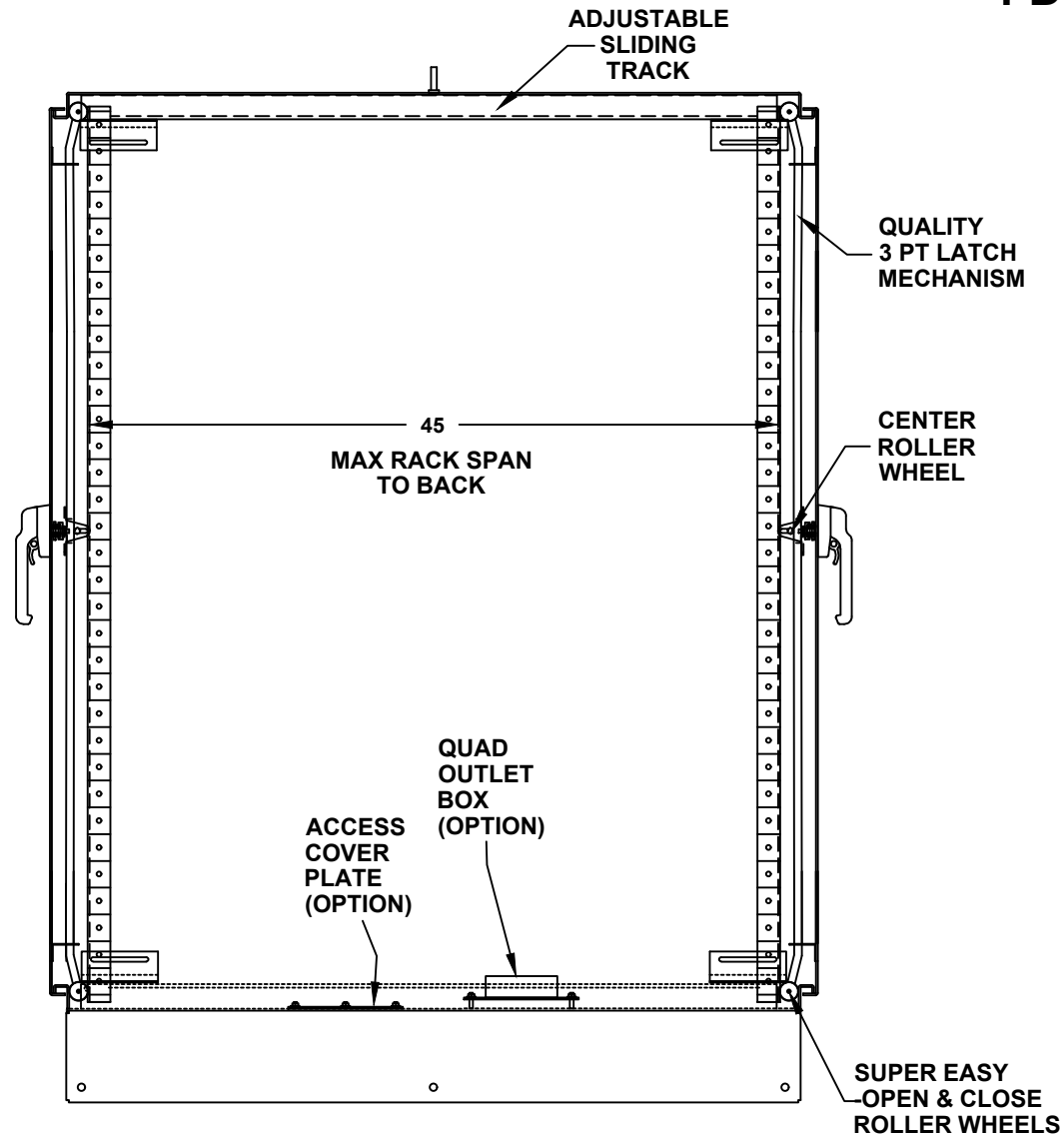
- POWDER COATED STEEL (STANDARD)
- 304 STAINLESS STEEL (HEAVY DUTY)

**RACK RAIL MOUNTING HOLES**

- #10-32 TAP (STANDARD)
- #1/4-20 TAP
- 3/8 SQUARE

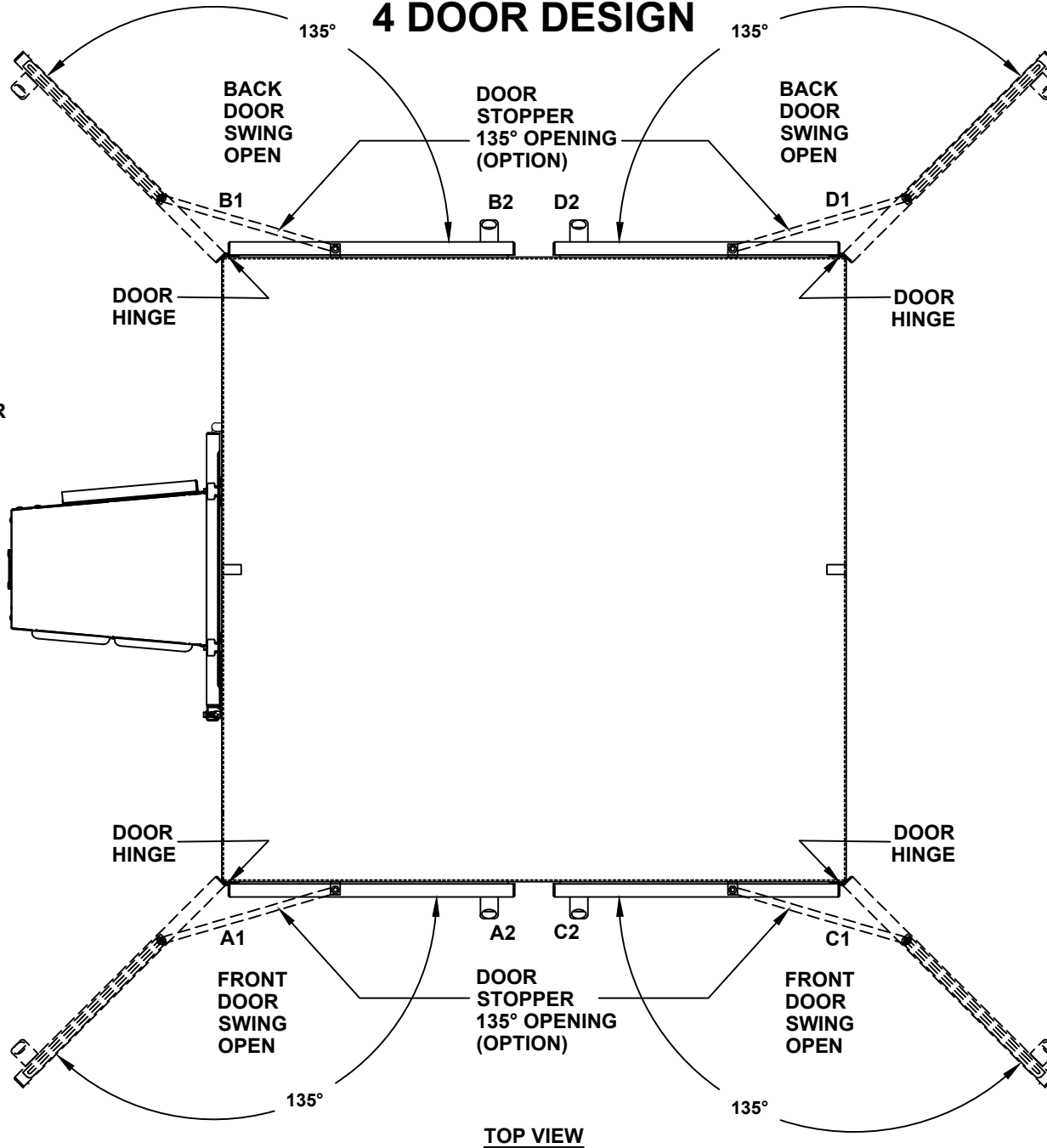
60" H x 48" W x 48" D  
4 DOOR DESIGN

- RACK SHELVES**
- STANDARD RACK SHELVES
  - SLIDING RACK SHELVES
  - RACK SHELF SUPPORT
- RACK DRAWERS**
- RACK DRAWERS
  - LAPTOP DRAWERS
- RACK RAIL HARDWARE**
- BLACK CLIP NUTS, #10-32, (100 EA.)
  - #10/32 HIGH POINT SCREWS (100 EA.)
  - M6 CAGE NUTS
- OTHER OPTIONS**
- 19" RACK COPPER BUSBAR
  - VERTICAL RACK PDU



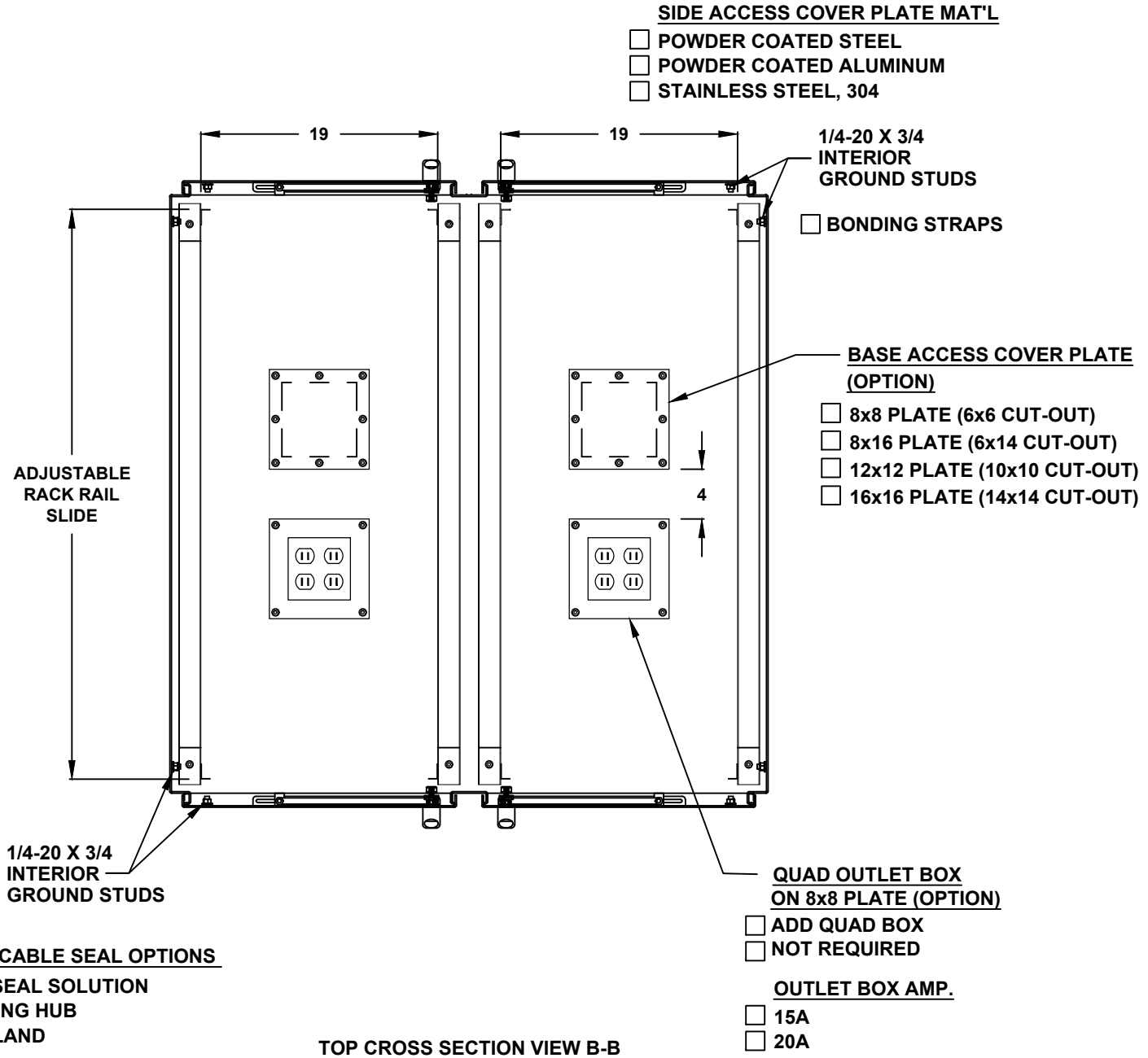
CROSS SECTION VIEW A-A

# 60" H x 48" W x 48" D 4 DOOR DESIGN

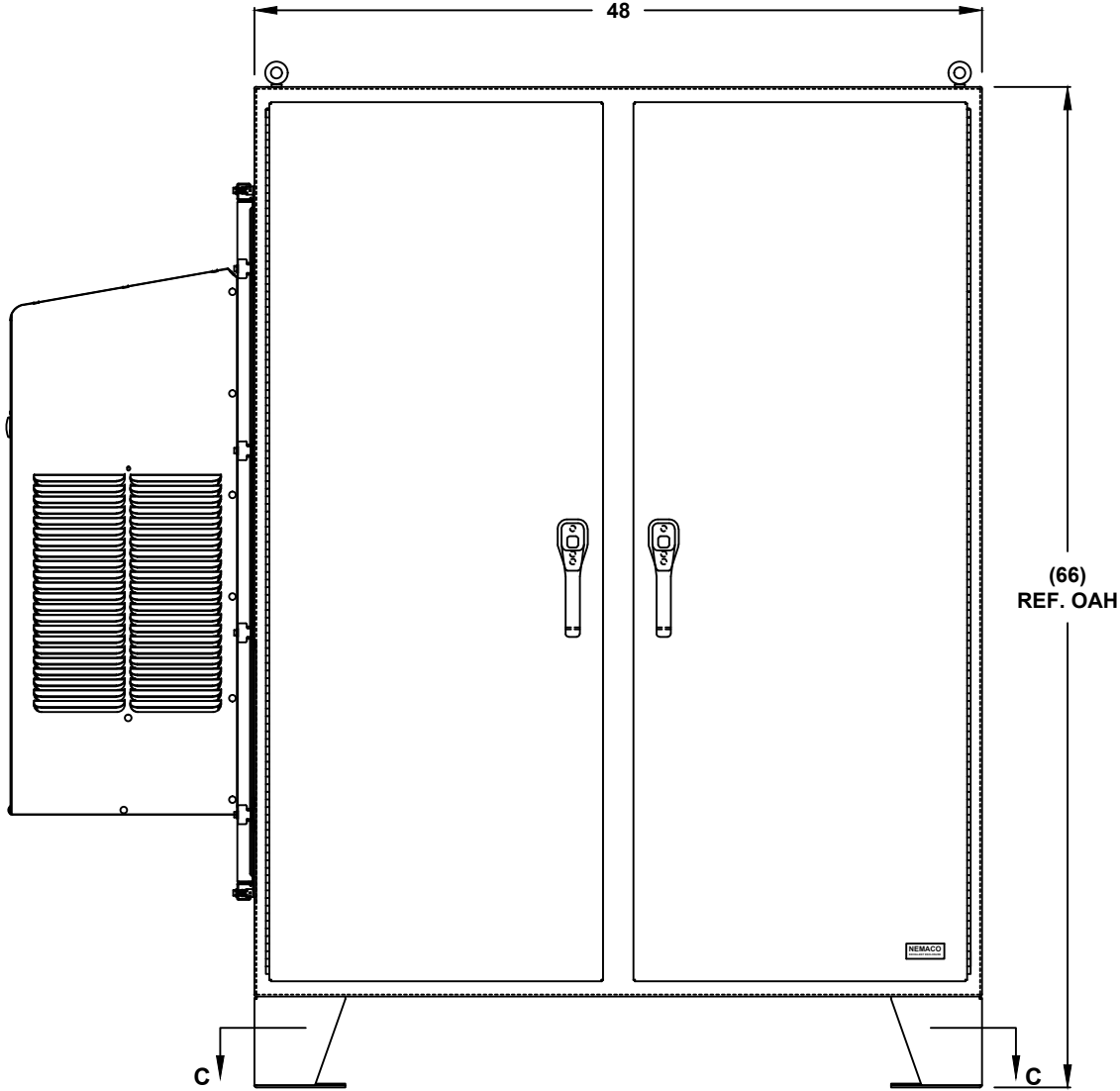


TOP VIEW

# 60" H x 48" W x 48" D 4 DOOR DESIGN



60" H x 48" W x 48" D  
4 DOOR DESIGN



FRONT VIEW

# 60" H x 48" W x 48" D 4 DOOR DESIGN

