

**NEMA 4X - ENCLOSURE
19" RACKMOUNT - 29U
FLOOR MOUNT**

**54" H x 48" W x 48" D
4 DOOR DESIGN**

STAINLESS STEEL



FILE NUMBER: E507642

AIR CONDITIONER (OPTION)
REF. TO PAGE 2

ENCLOSURE MATERIAL

- 304 STAINLESS STEEL (S4)
- 316 STAINLESS STEEL (S6)

CORROSION PROTECTION PACKAGE

- EXTERIOR PASSIVATION (STANDARD)
- INTERIOR/EXTERIOR PASSIVATION (OPTION)
- NOT REQUIRED (ON REQUEST ONLY)

POWDERCOAT COLOR

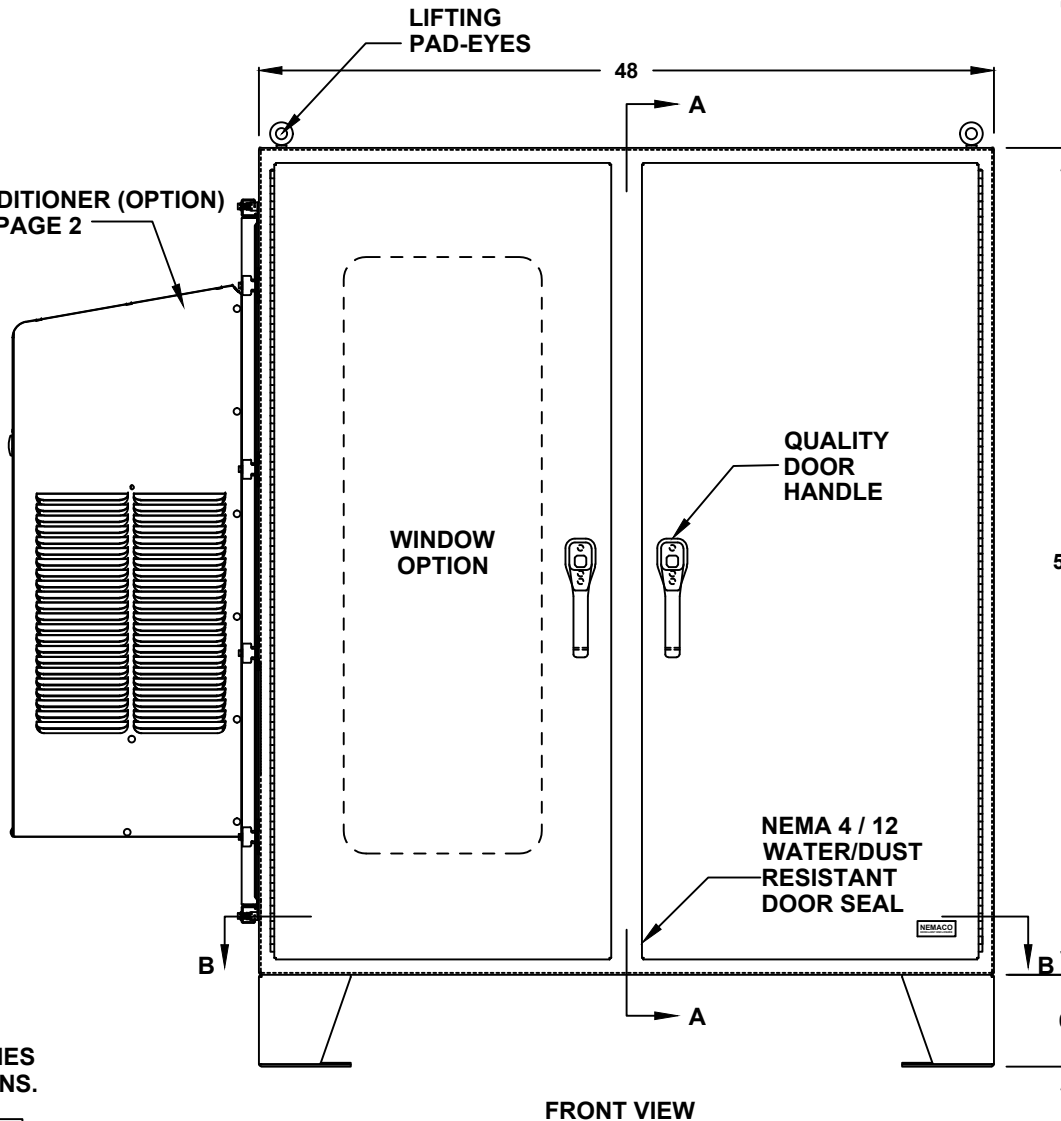
- WHITE
- LIGHT GRAY ANSI 70
- DARK GRAY ANSI 61
- BLACK
- CUSTOM _____

ENCLOSURE CONSTRUCTION

- 14 GA THK.
- 12 GA THK.

ENCLOSURE DOOR HINGE

- CONTINUOUS PIANO HINGE (STANDARD)
- REMOVABLE LIFT OFF HINGE



LIFTING EYES

- WELDED PADEYES (STANDARD)
- REMOVABLE PADEYES

***WINDOW OPTIONS**

- TINTED WINDOW
- TEMPERED GLASS
- NOT REQUIRED

DOOR HANDLES

- PADLOCK PROVISION (STANDARD)
- KEYLOCK (OPTION)

FLOOR KIT

- 6" HT. (STANDARD)
- 8" HT.
- 10" HT.
- 12" HT.
- CUSTOM _____

*NOTE: UL & NON-UL OPTIONS AVAILABLE

ALL DIMENSIONS ARE ESTIMATED IN INCHES AND MAY VARY DUE TO SELECTED OPTIONS.

COMPANY NAME _____

APPROVED (PRINTED NAME) _____

SIGNATURE _____ DATE _____

**54" H x 48" W x 48" D
4 DOOR DESIGN**

A/C MATERIAL (EXTERIOR)

- 304 STAINLESS STEEL
- 316 STAINLESS STEEL
- OTHER _____

AIR CONDITIONER

- 1000 BTU
- 2000 BTU
- 3000 BTU
- 4000 BTU
- 5000 BTU
- 6000 BTU
- 8000 BTU
- 10000 BTU
- 12000 BTU
- 15000 BTU
- SPECIFY _____
- NOT REQUIRED

A/C VOLTAGE/ HZ

- 115 VOLTS
- 230 VOLTS
- 480 VOLTS
- 60 HZ
- 50 HZ
- 48 VDC

A/C INTERGRATED HEATER

- 350 WATTS (CS011 A/C ONLY)
- 500 WATTS (C3020)
- 1000 WATTS
- EXTERNAL HEATER

ADDITIONAL A/C OPTIONS

- CORROSION PROTECTION PACKAGE
- DRY CONTACT (OUTPUT SIGNAL)
- 2" DEEP FILTERS
- PROXIMITY SWITCH (ON/OFF)

AIR CONDITIONER- SCADA

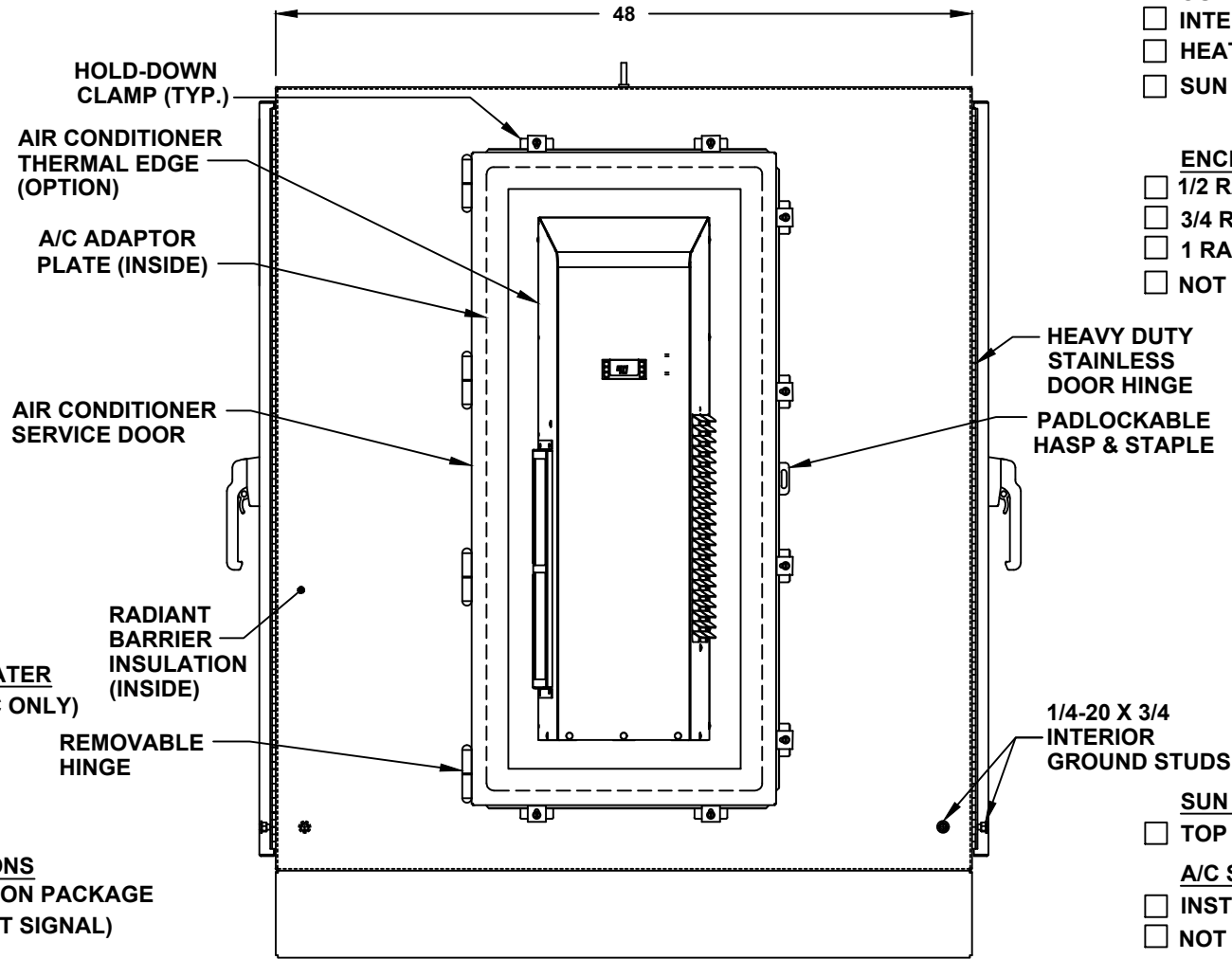
- MOBUS RTU 485 (2 WIRE)
REMOTE NETWORK
ETHERNET CONNECTION
- MOBUS GATEWAY
ADD-ON

THERMAL SPECIFICATIONS

- OUTSIDE (AMBIENT) _____ °F
- INTERIOR TEMP. _____ °F
- HEAT LOAD (WATTS) _____
- SUN / SHADE _____

ENCLOSURE INSULATION

- 1/2 RADIANT BARRIER (STANDARD)
- 3/4 RADIANT BARRIER
- 1 RADIANT BARRIER
- NOT REQUIRED



LEFT SIDE

SUN REFLECTIVE SOLUTION

- TOP SUNSHIELD COVER

A/C SERVICE DOOR

- INSTALL A/C SERVICE DOOR
- NOT REQUIRED

A/C SERVICE DOOR HINGE

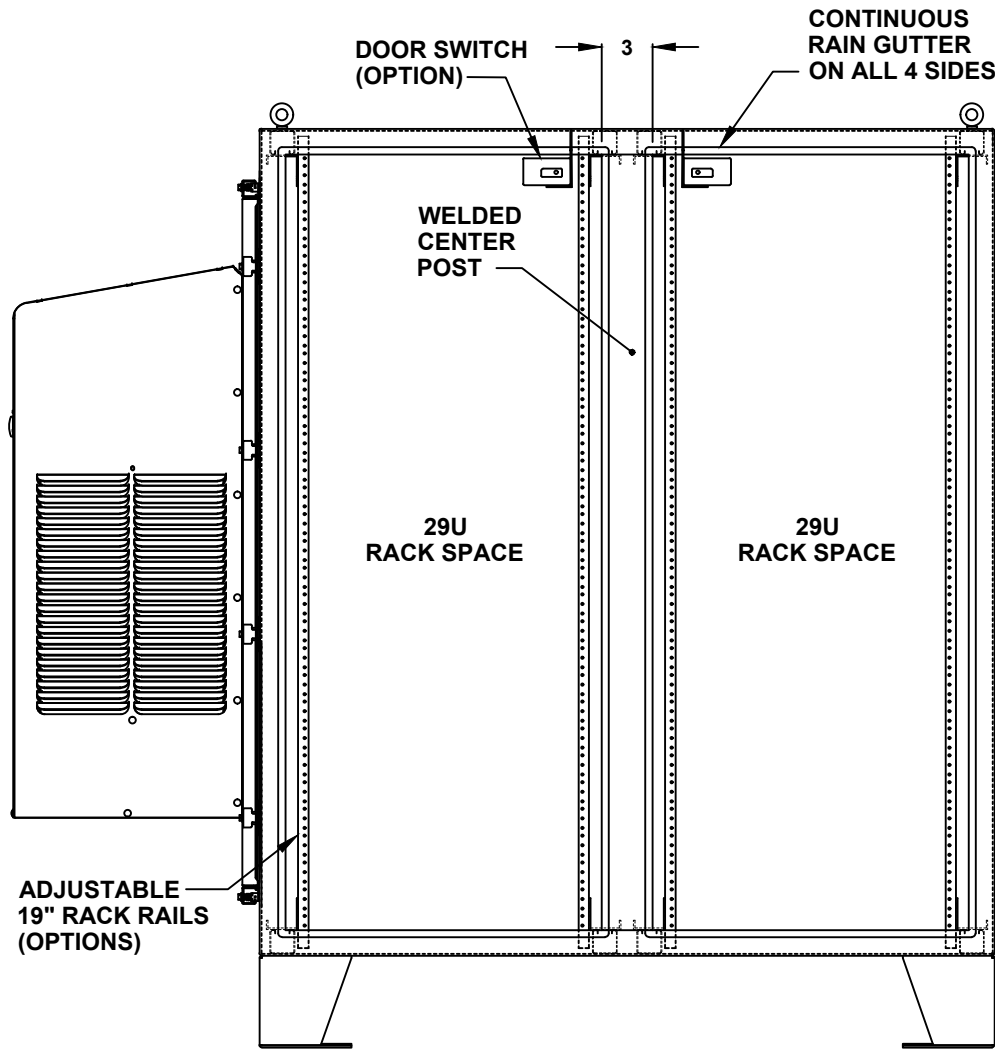
- REMOVABLE HINGE
- CONTINUOUS HINGE

A/C ADAPTOR PLATE

- INSTALL A/C ADAPTOR PLATE
- NOT REQUIRED

N4X544848-F2DDXX19 (X2)

54" H x 48" W x 48" D 4 DOOR DESIGN



FRONT VIEW WITH DOOR REMOVED

DOOR OPTIONS

- DOOR SWITCH
 - 10A (STANDARD)
 - 16A
- PRINT POCKET

CENTER POST

- WELDED (STANDARD)
- REMOVEABLE

RACK RAIL POST

- QTY 4 POST
- QTY 8 POST (REARDOOR REQUIRED)

RACK RAIL MATERIAL

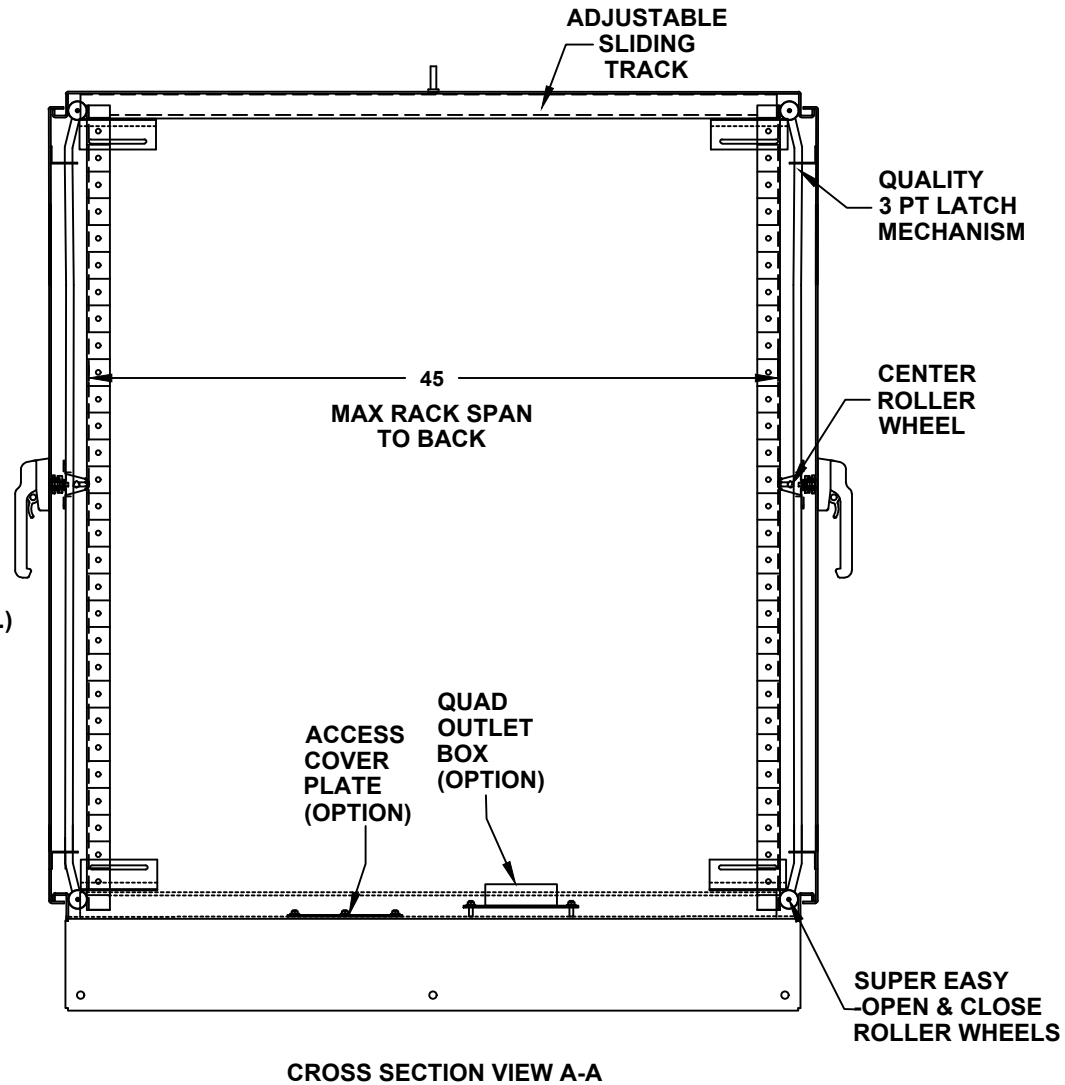
- POWDER COATED STEEL (STANDARD)
- 304 STAINLESS STEEL (HEAVY DUTY)

RACK RAIL MOUNTING HOLES

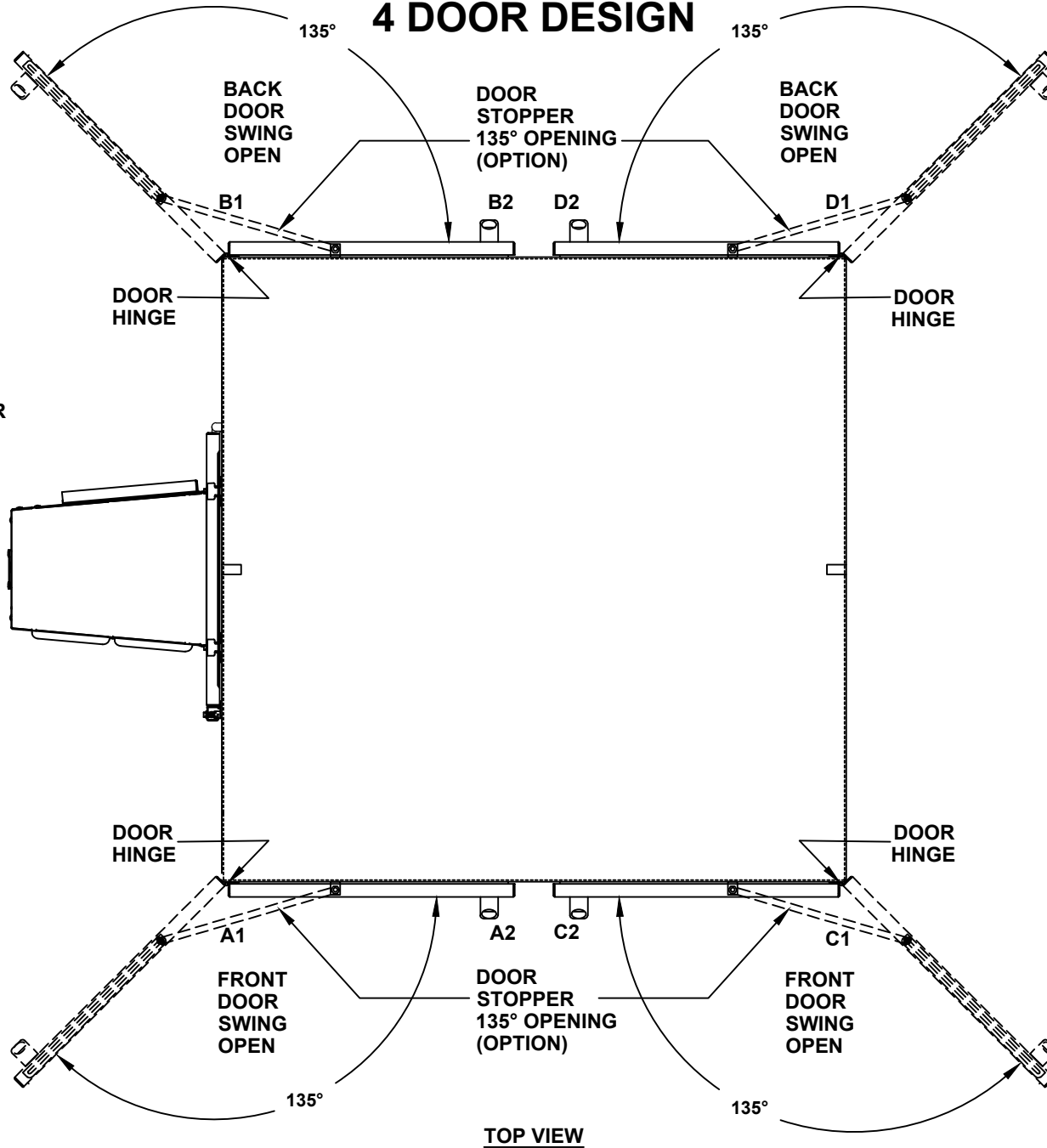
- #10-32 TAP (STANDARD)
- #1/4-20 TAP
- 3/8 SQUARE

54" H x 48" W x 48" D
4 DOOR DESIGN

- RACK SHELVES
- STANDARD RACK SHELVES
 - SLIDING RACK SHELVES
 - RACK SHELF SUPPORT
- RACK DRAWERS
- RACK DRAWERS
 - LAPTOP DRAWERS
- RACK RAIL HARDWARE
- BLACK CLIP NUTS, #10-32, (100 EA.)
 - #10/32 HIGH POINT SCREWS (100 EA.)
 - M6 CAGE NUTS
- OTHER OPTIONS
- 19" RACK COPPER BUSBAR
 - VERTICAL RACK PDU

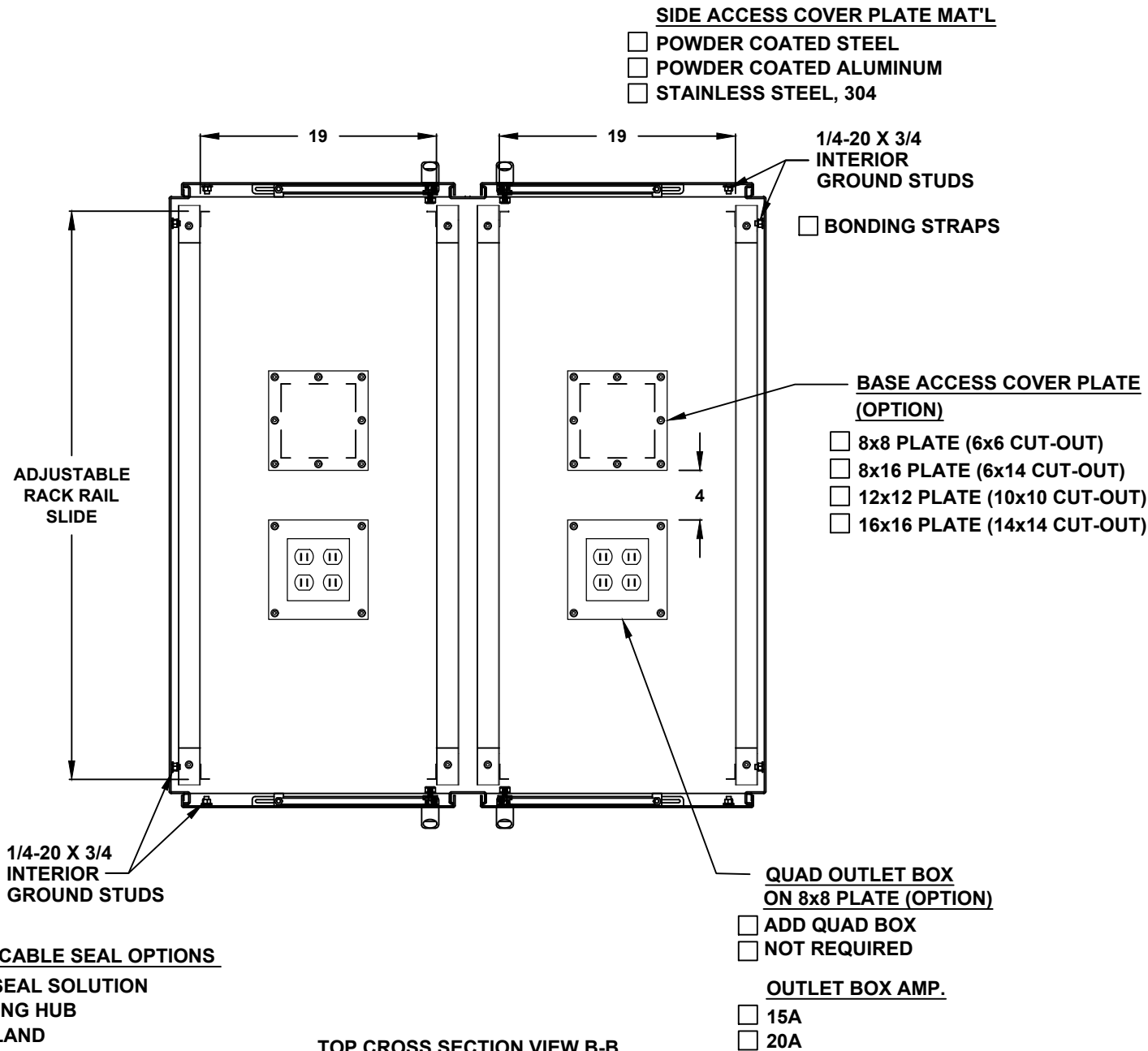


54" H x 48" W x 48" D 4 DOOR DESIGN

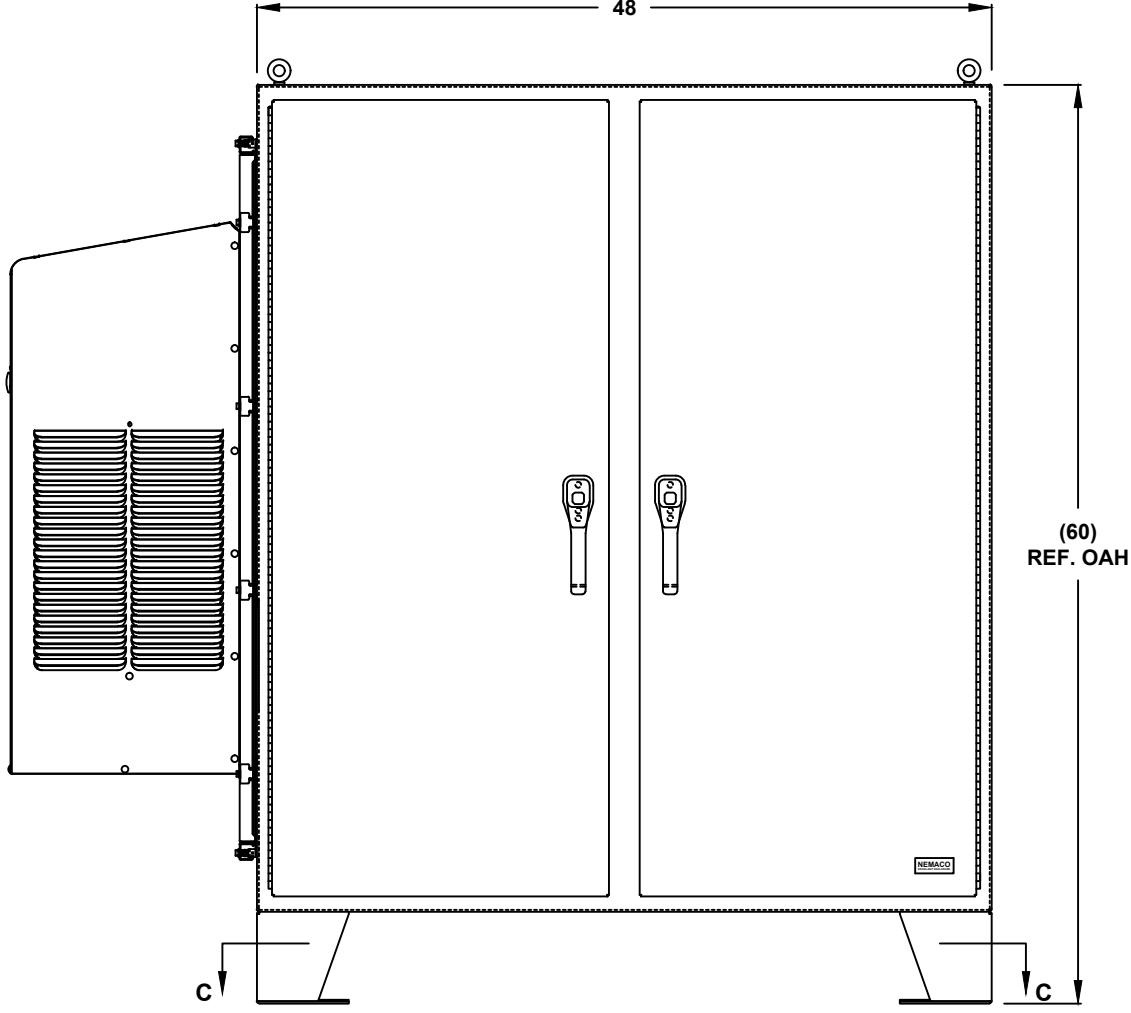


TOP VIEW

54" H x 48" W x 48" D 4 DOOR DESIGN

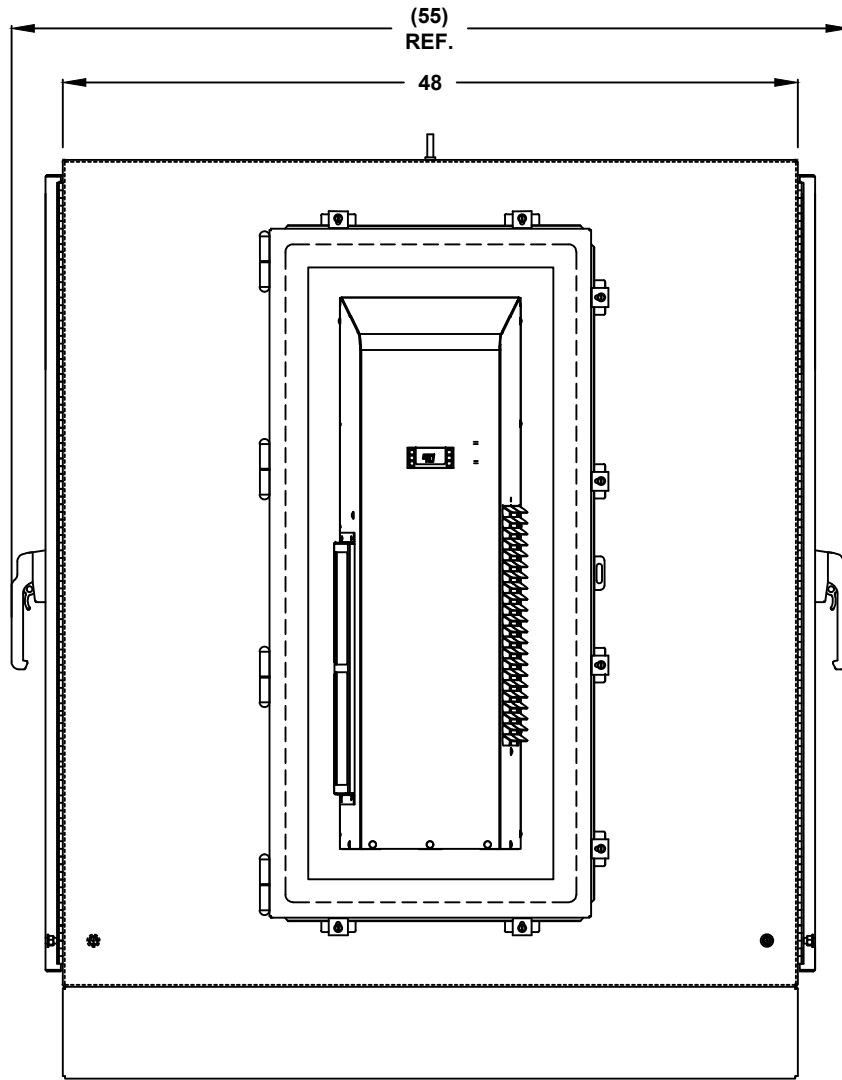


54" H x 48" W x 48" D
4 DOOR DESIGN

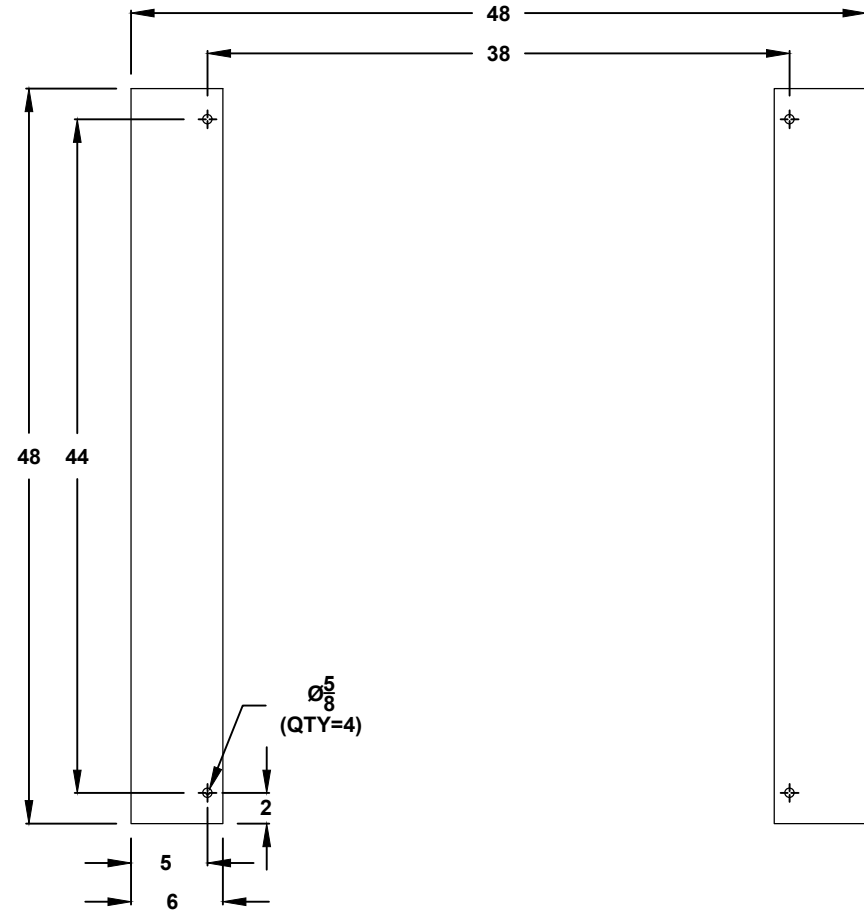


FRONT VIEW

54" H x 48" W x 48" D 4 DOOR DESIGN



LEFT SIDE



CROSS SECTION VIEW C-C
MOUNTING HOLES