

NEMA 4X - ENCLOSURE
19" RACKMOUNT - 12U
FLOOR MOUNT

24" H x 48" W x 48" D
4 DOOR DESIGN



FILE NUMBER: E507642

STAINLESS STEEL

ENCLOSURE MATERIAL

- 304 STAINLESS STEEL (S4) AIR CONDITIONER (OPTION)
- 316 STAINLESS STEEL (S6) REF. TO PAGE 2

CORROSION PROTECTION PACKAGE

- EXTERIOR PASSIVATION (STANDARD)
- INTERIOR/EXTERIOR PASSIVATION (OPTION)
- NOT REQUIRED (ON REQUEST ONLY)

POWDERCOAT COLOR

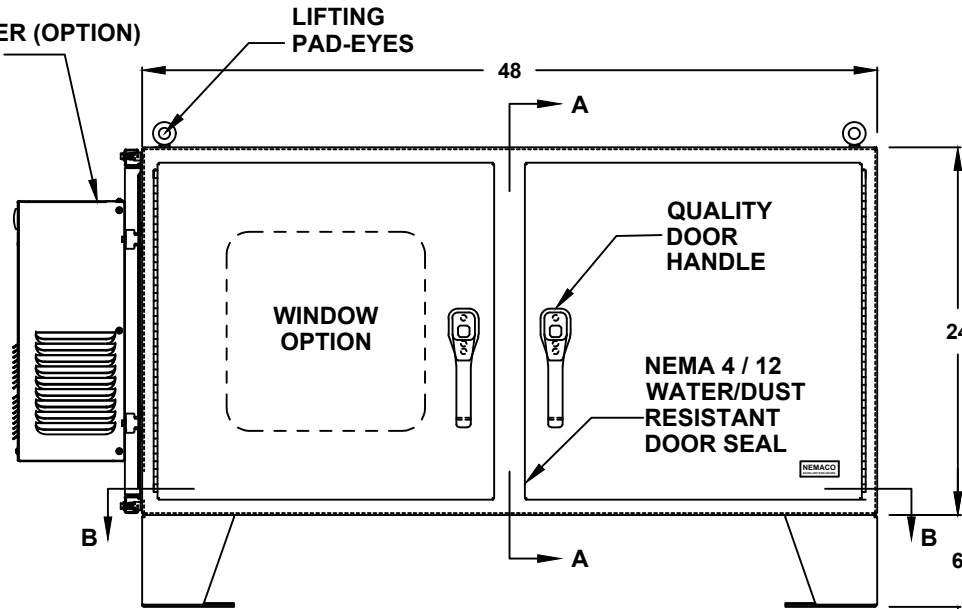
- WHITE
- LIGHT GRAY ANSI 70
- DARK GRAY ANSI 61
- BLACK
- CUSTOM _____

ENCLOSURE CONSTRUCTION

- 14 GA THK.
- 12 GA THK.

ENCLOSURE DOOR HINGE

- CONTINUOUS PIANO HINGE (STANDARD)
- REMOVABLE LIFT OFF HINGE



FRONT VIEW

LIFTING EYES

- WELDED PADEYES (STANDARD)
- REMOVABLE PADEYES

*WINDOW OPTIONS

- TINTED WINDOW
- TEMPERED GLASS
- NOT REQUIRED

DOOR HANDLES

- PADLOCK PROVISION (STANDARD)
- KEYLOCK (OPTION)

FLOOR KIT

- 6" HT. (STANDARD)
- 8" HT.
- 10" HT.
- 12" HT.
- CUSTOM _____

ALL DIMENSIONS ARE ESTIMATED IN INCHES AND MAY VARY DUE TO SELECTED OPTIONS.

 COMPANY NAME

 APPROVED (PRINTED NAME)

 SIGNATURE

 DATE

*NOTE: UL & NON-UL OPTIONS AVAILABLE

24" H x 48" W x 48" D
4 DOOR DESIGN

A/C MATERIAL (EXTERIOR)

- 304 STAINLESS STEEL
- 316 STAINLESS STEEL
- OTHER _____

AIR CONDITIONER

- 1000 BTU (NE/CS)
- 1500 BTU (NE)
- 2000 BTU (CS)
- SPECIFY _____
- NOT REQUIRED

A/C VOLTAGE/ HZ

- 115 VOLTS
- 230 VOLTS
- 480 VOLTS
- 60 HZ
- 50 HZ
- 48 VDC (CS011 A/C ONLY)

A/C INTEGRATED HEATER

- 350 WATTS (CS011 A/C ONLY)
- 500 WATTS
- 1000 WATTS
- EXTERNAL HEATER

ADDITIONAL A/C OPTIONS

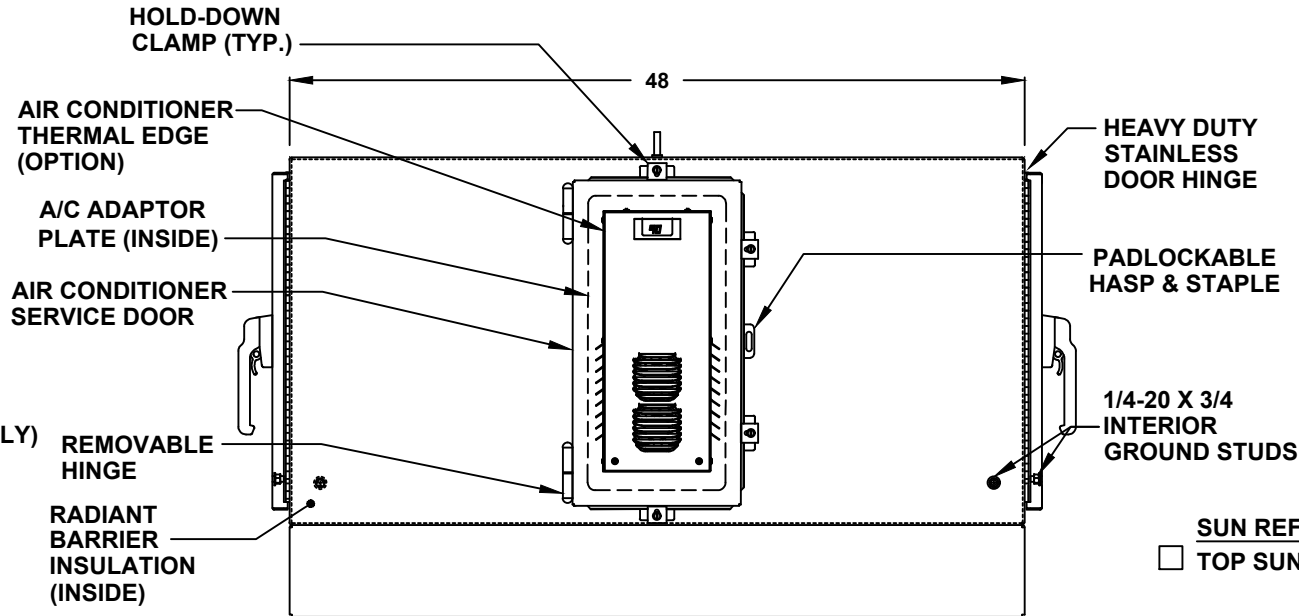
- CORROSION PROTECTION PACKAGE
- DRY CONTACT (OUTPUT SIGNAL)
- 2" DEEP FILTERS
- PROXIMITY SWITCH (ON/OFF)

AIR CONDITIONER- SCADA

- MOBUS RTU 485 (2 WIRE)
REMOTE NETWORK
ETHERNET CONNECTION
- MOBUS GATEWAY
ADD-ON

AIR CONDITIONER- SCADA

- MOBUS RTU 485 (2 WIRE)
REMOTE NETWORK
ETHERNET CONNECTION
- MOBUS GATEWAY
ADD-ON



LEFT SIDE

THERMAL SPECIFICATIONS

- OUTSIDE (AMBIENT) _____ °F
- INTERIOR TEMP. _____ °F
- HEAT LOAD (WATTS) _____
- SUN / SHADE _____

ENCLOSURE INSULATION

- 1/2 RADIANT BARRIER (STANDARD)
- 3/4 RADIANT BARRIER
- 1 RADIANT BARRIER
- NOT REQUIRED

SUN REFLECTIVE SOLUTION

- TOP SUNSHIELD COVER

A/C SERVICE DOOR

- INSTALL A/C SERVICE DOOR
- NOT REQUIRED

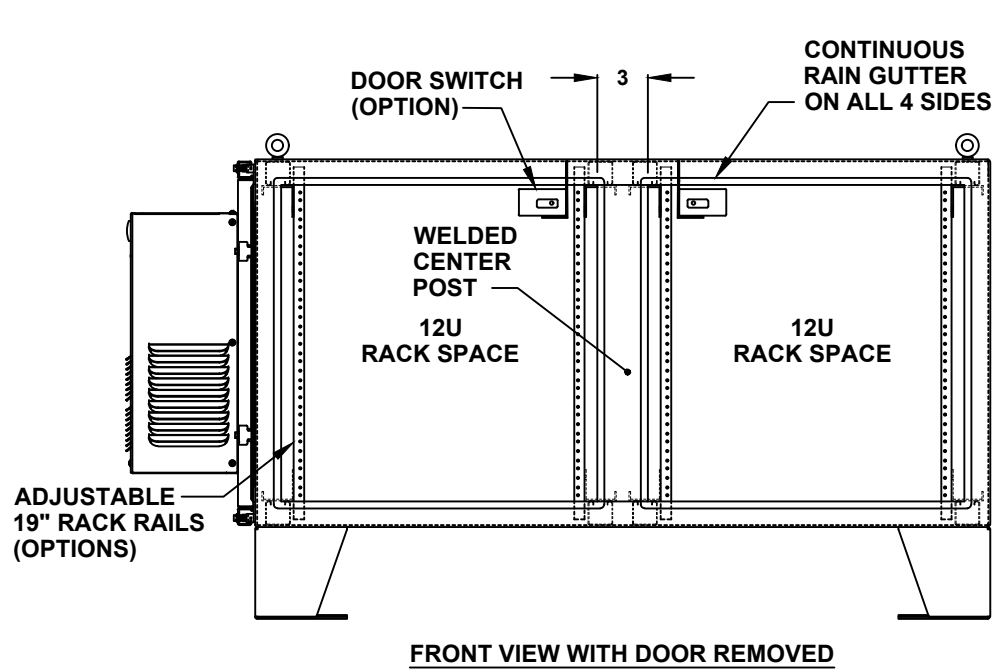
A/C SERVICE DOOR HINGE

- REMOVABLE HINGE
- CONTINUOUS HINGE

A/C ADAPTOR PLATE

- INSTALL A/C ADAPTOR PLATE
- NOT REQUIRED

**24" H x 48" W x 48" D
4 DOOR DESIGN**



DOOR OPTIONS

- DOOR SWITCH
 - 10A (STANDARD)
 - 16A
- PRINT POCKET

CENTER POST

- WELDED (STANDARD)
- REMOVEABLE

RACK RAIL POST

- QTY 4 POST
- QTY 8 POST (REARDOOR REQUIRED)

RACK RAIL MATERIAL

- POWDER COATED STEEL (STANDARD)
- 304 STAINLESS STEEL (HEAVY DUTY)

RACK RAIL MOUNTING HOLES

- #10-32 TAP (STANDARD)
- #1/4-20 TAP
- 3/8 SQUARE

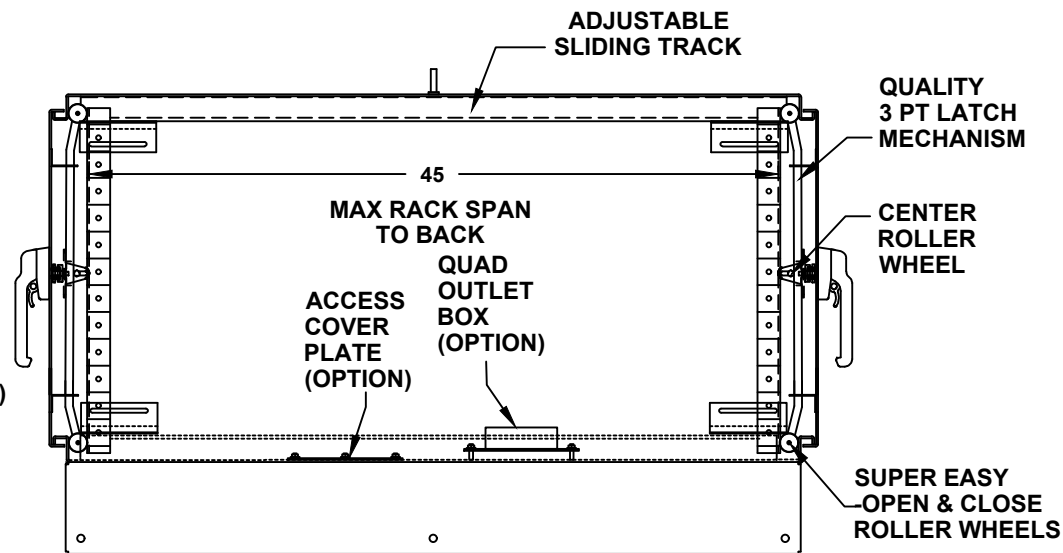
24" H x 48" W x 48" D
4 DOOR DESIGN

- RACK SHELVES
- STANDARD RACK SHELVES
- SLIDING RACK SHELVES
- RACK SHELF SUPPORT

- RACK DRAWERS
- RACK DRAWERS
- LAPTOP DRAWERS

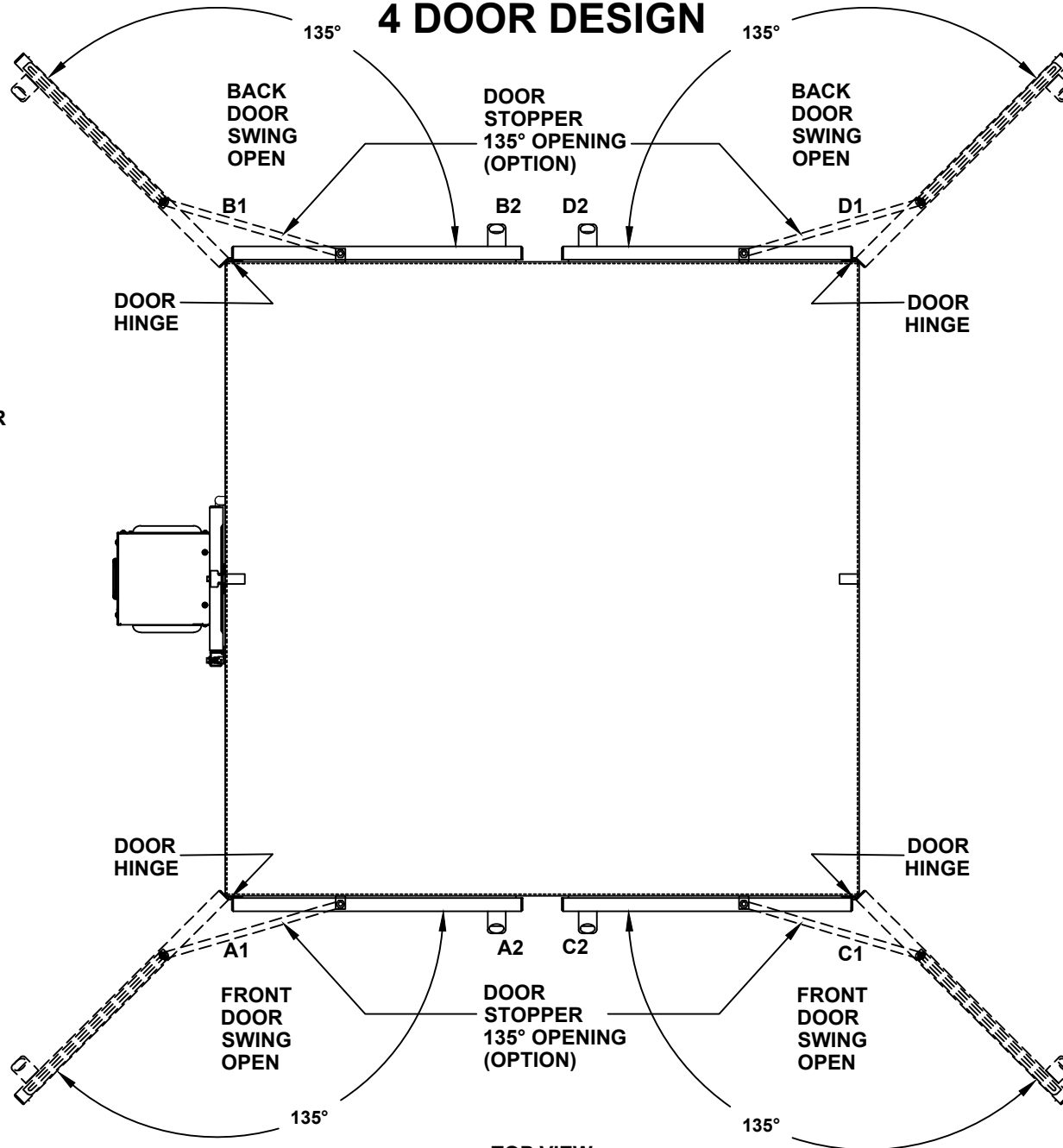
- RACK RAIL HARDWARE
- BLACK CLIP NUTS, #10-32, (100 EA.)
- #10/32 HIGH POINT SCREWS (100 EA.)
- M6 CAGE NUTS

- OTHER OPTIONS
- 19" RACK COPPER BUSBAR
- VERTICAL RACK PDU



CROSS SECTION VIEW A-A

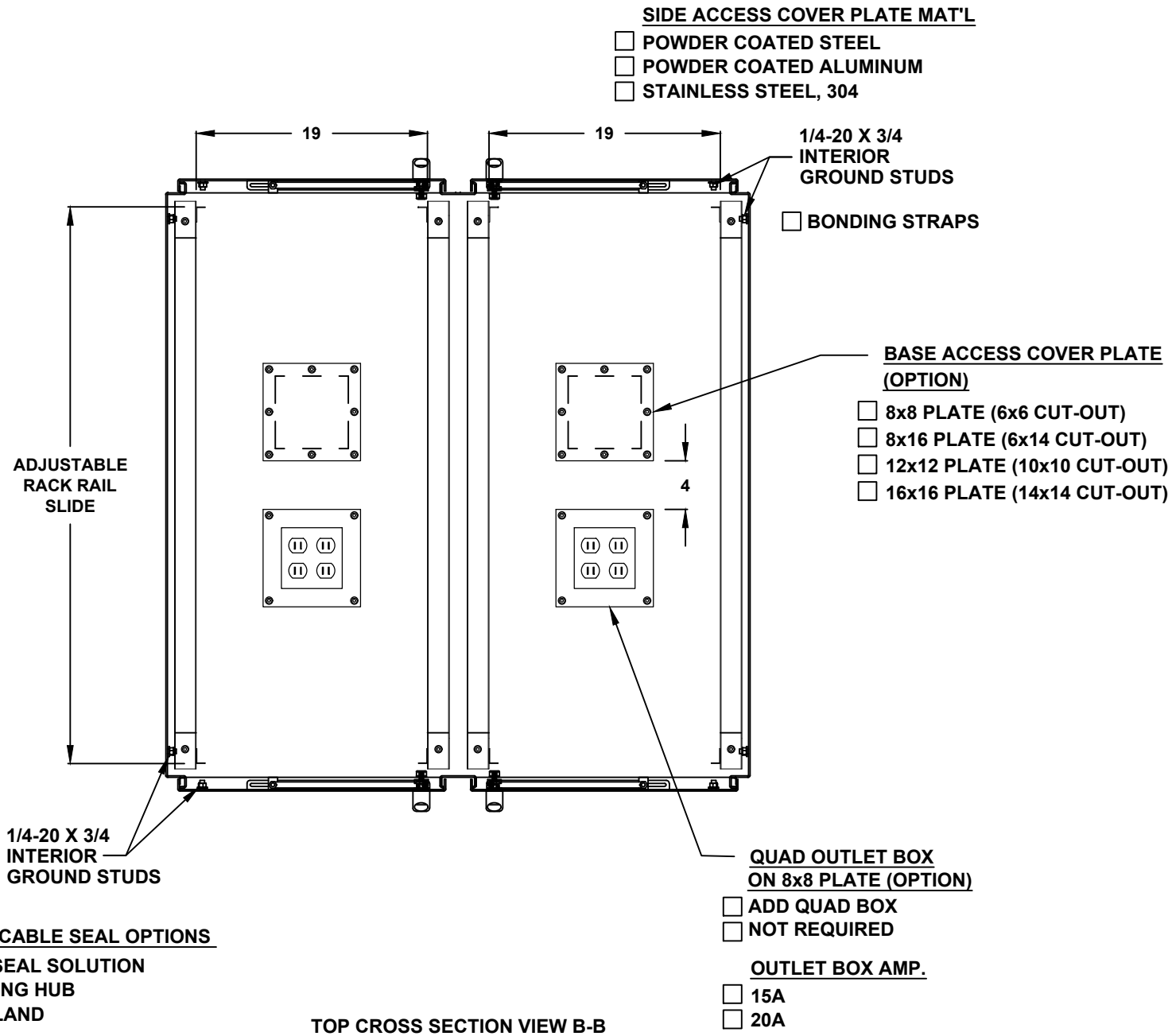
24" H x 48" W x 48" D 4 DOOR DESIGN



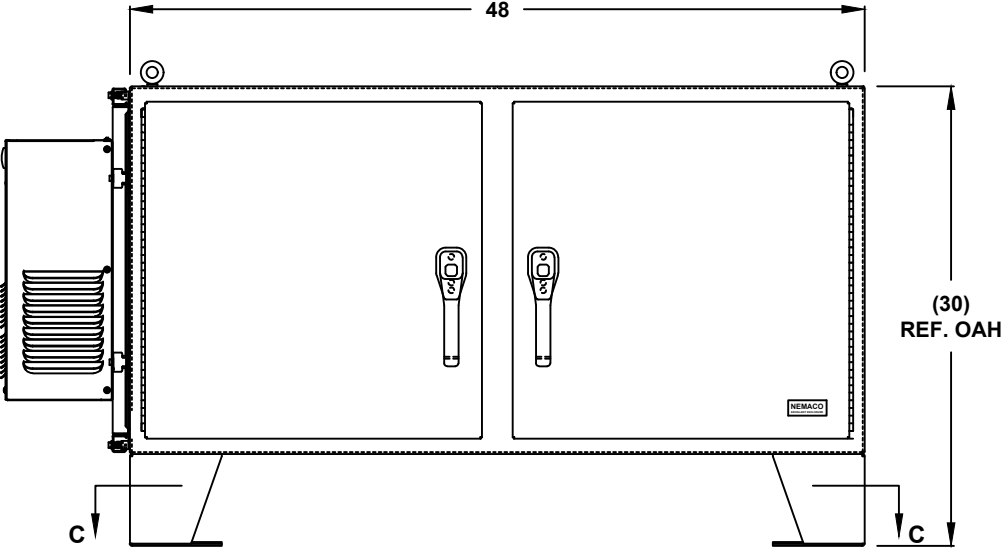
- DOOR STOPPER**
- INSTALL DOOR STOPPER
 - NOT REQUIRED

TOP VIEW

24" H x 48" W x 48" D 4 DOOR DESIGN



24" H x 48" W x 48" D
4 DOOR DESIGN



FRONT VIEW

24" H x 48" W x 48" D 4 DOOR DESIGN

