

**NEMA 4X - ENCLOSURE  
19" RACKMOUNT - 18U  
FREE STANDING**

**36" H x 48" W x 24" D  
2 DOOR DESIGN**

**STAINLESS STEEL**



FILE NUMBER: E507642

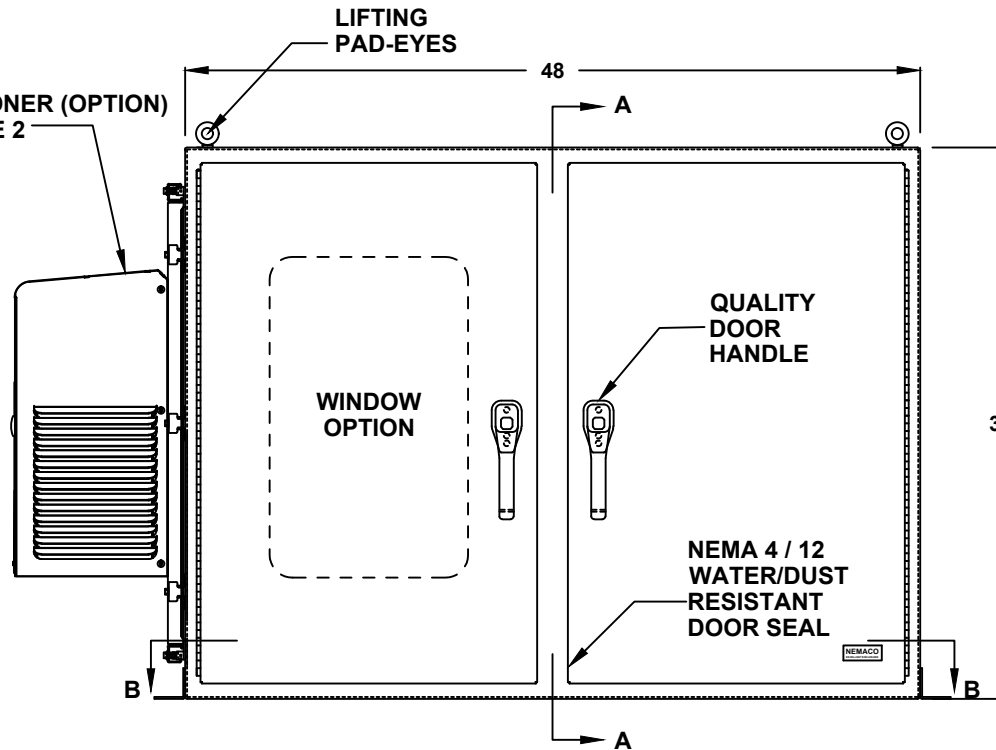
- ENCLOSURE MATERIAL**
- 304 STAINLESS STEEL (S4) AIR CONDITIONER (OPTION) REF. TO PAGE 2
  - 316 STAINLESS STEEL (S6)

- CORROSION PROTECTION PACKAGE**
- EXTERIOR PASSIVATION (STANDARD)
  - INTERIOR/EXTERIOR PASSIVATION (OPTION)
  - NOT REQUIRED (ON REQUEST ONLY)

- POWDERCOAT COLOR**
- WHITE
  - LIGHT GRAY ANSI 70
  - DARK GRAY ANSI 61
  - BLACK
  - CUSTOM \_\_\_\_\_

- ENCLOSURE CONSTRUCTION**
- 14 GA THK.
  - 12 GA THK.

- ENCLOSURE DOOR HINGE**
- CONTINUOUS PIANO HINGE (STANDARD)
  - REMOVABLE LIFT OFF HINGE



**FRONT VIEW**

- LIFTING EYES**
- WELDED PADEYES (STANDARD)
  - REMOVABLE PADEYES

- \*WINDOW OPTIONS**
- TINTED WINDOW
  - TEMPERED GLASS
  - NOT REQUIRED

- DOOR HANDLES**
- PADLOCK PROVISION (STANDARD)
  - KEYLOCK (OPTION)

- BASE EXTENSION**
- 4" BASE EXTENSION
  - 6" BASE EXTENSION
  - 8" BASE EXTENSION
  - 10" BASE EXTENSION
  - 12" BASE EXTENSION
  - NOT REQUIRED

ALL DIMENSIONS ARE ESTIMATED IN INCHES AND MAY VARY DUE TO SELECTED OPTIONS.

\_\_\_\_\_  
COMPANY NAME

\_\_\_\_\_  
APPROVED (PRINTED NAME)

\_\_\_\_\_  
SIGNATURE

\_\_\_\_\_  
DATE

\*NOTE: UL & NON-UL OPTIONS AVAILABLE

**36" H x 48" W x 24" D  
2 DOOR DESIGN**

A/C MATERIAL (EXTERIOR)

- 304 STAINLESS STEEL
- 316 STAINLESS STEEL
- OTHER \_\_\_\_\_

AIR CONDITIONER

- 1000 BTU
- 1500 BTU
- 2000 BTU
- 3000 BTU
- 4000 BTU
- SPECIFY \_\_\_\_\_
- NOT REQUIRED

A/C VOLTAGE/ HZ

- 115 VOLTS
- 230 VOLTS
- 480 VOLTS
- 60 HZ
- 50 HZ
- 48 VDC (CS011 A/C ONLY)

A/C INTEGRATED HEATER

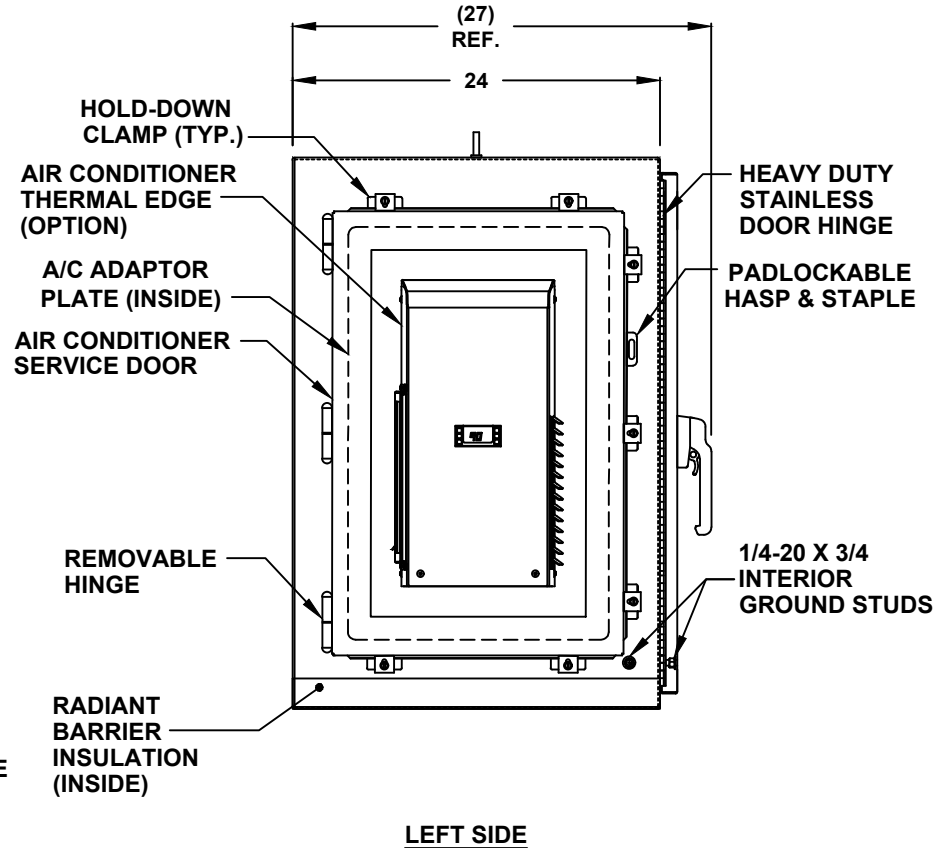
- 350 WATTS (CS011 A/C ONLY)
- 500 WATTS
- 1000 WATTS
- EXTERNAL HEATER

ADDITIONAL A/C OPTIONS

- CORROSION PROTECTION PACKAGE
- DRY CONTACT (OUTPUT SIGNAL)
- 2" DEEP FILTERS
- PROXIMITY SWITCH (ON/OFF)

AIR CONDITIONER- SCADA

- MOBUS RTU 485 (2 WIRE)  
REMOTE NETWORK  
ETHERNET CONNECTION
- MOBUS GATEWAY  
ADD-ON



SUN REFLECTIVE SOLUTION

- TOP SUNSHIELD COVER

THERMAL SPECIFICATIONS

- OUTSIDE (AMBIENT) \_\_\_\_\_ °F
- INTERIOR TEMP. \_\_\_\_\_ °F
- HEAT LOAD (WATTS) \_\_\_\_\_
- SUN / SHADE \_\_\_\_\_

ENCLOSURE INSULATION

- 1/2 RADIANT BARRIER (STANDARD)
- 3/4 RADIANT BARRIER
- 1 RADIANT BARRIER
- NOT REQUIRED

A/C SERVICE DOOR

- INSTALL A/C SERVICE DOOR
- NOT REQUIRED

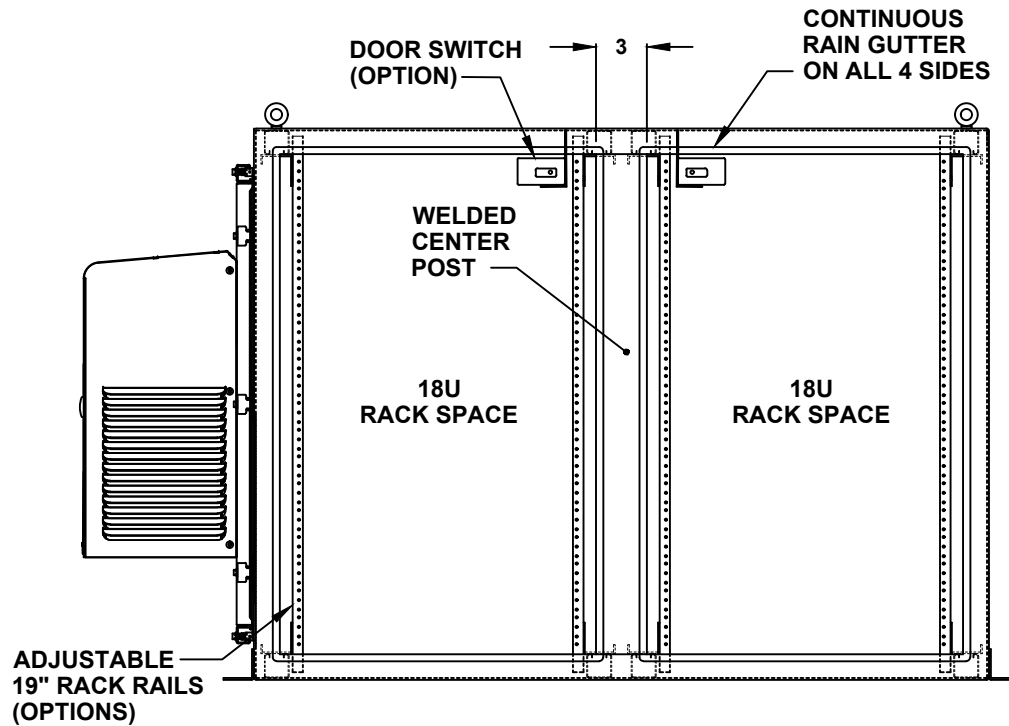
A/C SERVICE DOOR HINGE

- REMOVABLE HINGE
- CONTINUOUS HINGE

A/C ADAPTOR PLATE

- INSTALL A/C ADAPTOR PLATE
- NOT REQUIRED

# 36" H x 48" W x 24" D 2 DOOR DESIGN



FRONT VIEW WITH DOOR REMOVED

DOOR OPTIONS

- DOOR SWITCH
  - 10A (STANDARD)
  - 16A
- PRINT POCKET

CENTER POST

- WELDED (STANDARD)
- REMOVEABLE

RACK RAIL POST

- QTY 4 POST
- QTY 8 POST (REARDOOR REQUIRED)

RACK RAIL MATERIAL

- POWDER COATED STEEL (STANDARD)
- 304 STAINLESS STEEL (HEAVY DUTY)

RACK RAIL MOUNTING HOLES

- #10-32 TAP (STANDARD)
- #1/4-20 TAP
- 3/8 SQUARE

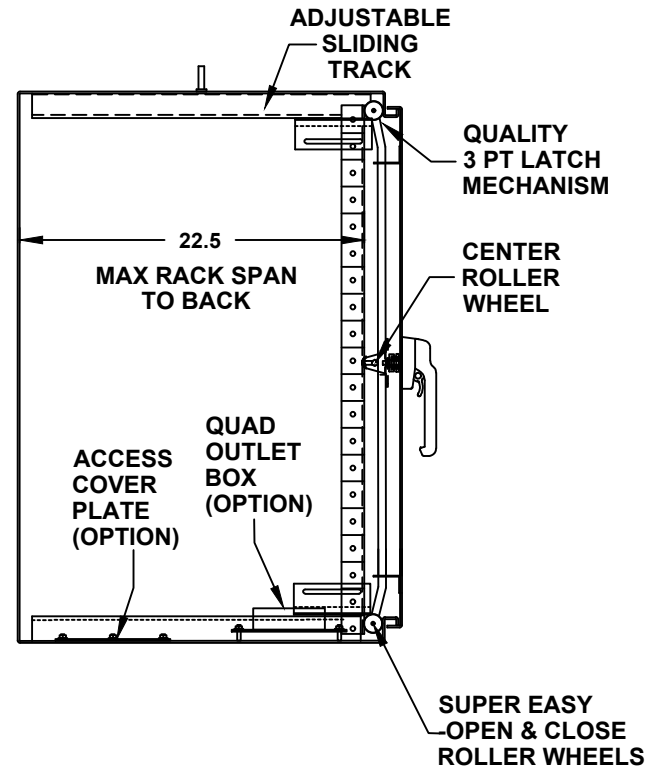
36" H x 48" W x 24" D  
2 DOOR DESIGN

- RACK SHELVES**
- STANDARD RACK SHELVES
  - SLIDING RACK SHELVES
  - RACK SHELF SUPPORT

- RACK DRAWERS**
- RACK DRAWERS
  - LAPTOP DRAWERS

- RACK RAIL HARDWARE**
- BLACK CLIP NUTS, #10-32, (100 EA.)
  - #10/32 HIGH POINT SCREWS (100 EA.)
  - M6 CAGE NUTS

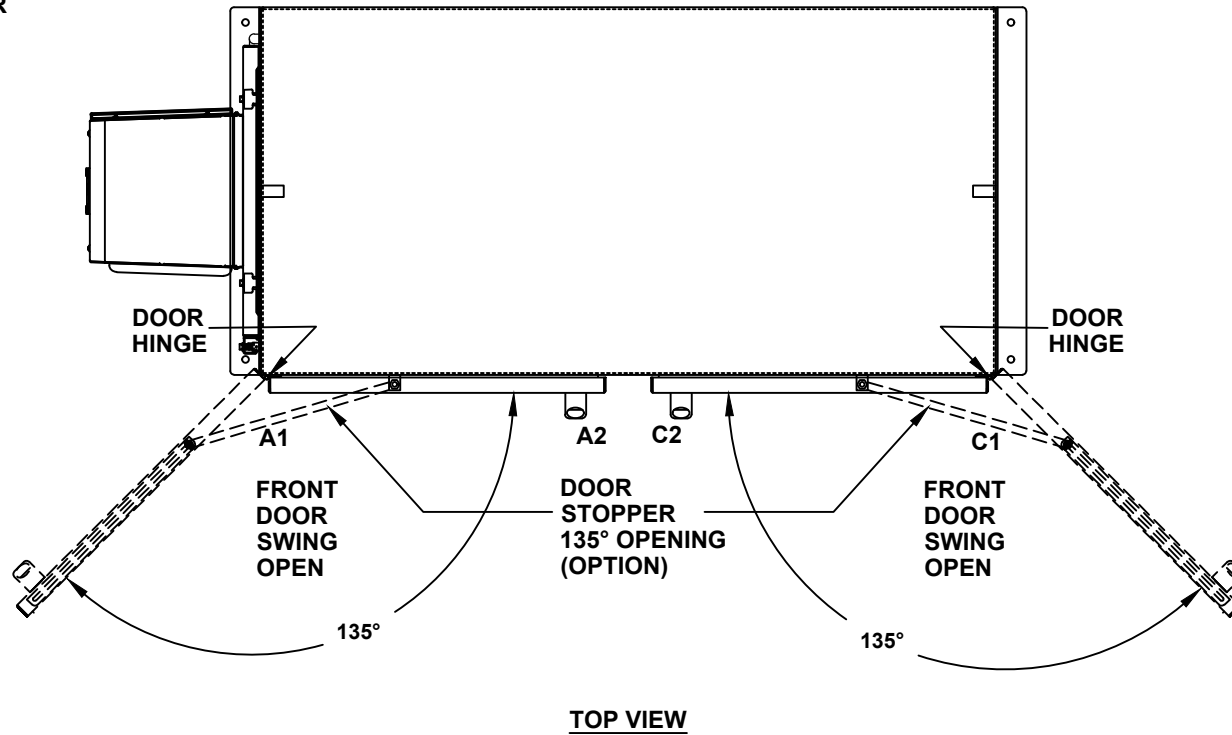
- OTHER OPTIONS**
- 19" RACK COPPER BUSBAR
  - VERTICAL RACK PDU



**CROSS SECTION VIEW A-A**

# 36" H x 48" W x 24" D 2 DOOR DESIGN

- DOOR STOPPER**
- INSTALL DOOR STOPPER
  - NOT REQUIRED



# 36" H x 48" W x 24" D 2 DOOR DESIGN

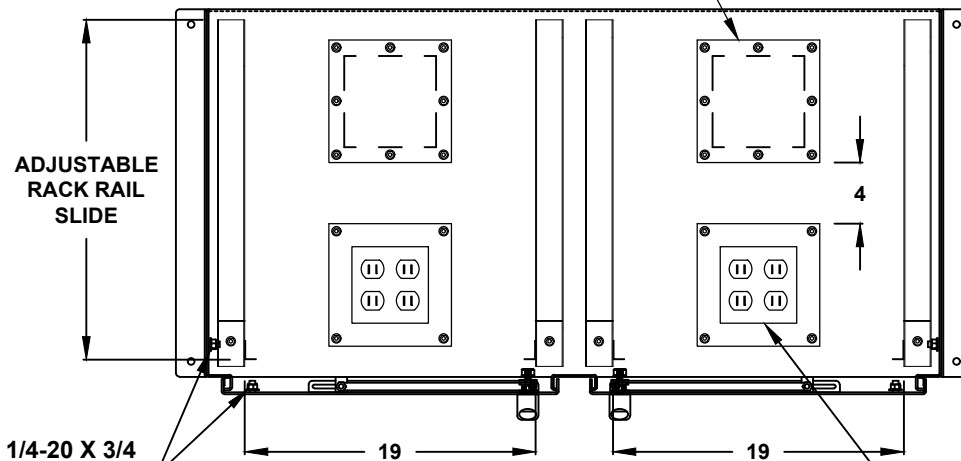
**BASE ACCESS COVER PLATE**

**(OPTION)**

- 8x8 PLATE (6x6 CUT-OUT)
- 8x16 PLATE (6x14 CUT-OUT)
- 12x12 PLATE (10x10 CUT-OUT)
- 16x16 PLATE (14x14 CUT-OUT)

**SIDE ACCESS COVER PLATE MAT'L**

- POWDER COATED STEEL
- POWDER COATED ALUMINUM
- STAINLESS STEEL, 304



1/4-20 X 3/4  
INTERIOR  
GROUND STUDS

BONDING STRAPS

**CONDUIT/CABLE SEAL OPTIONS**

- ROXTEC SEAL SOLUTION
- PIPE FITTING HUB
- CABLE GLAND

**QUAD OUTLET BOX  
ON 8x8 PLATE (OPTION)**

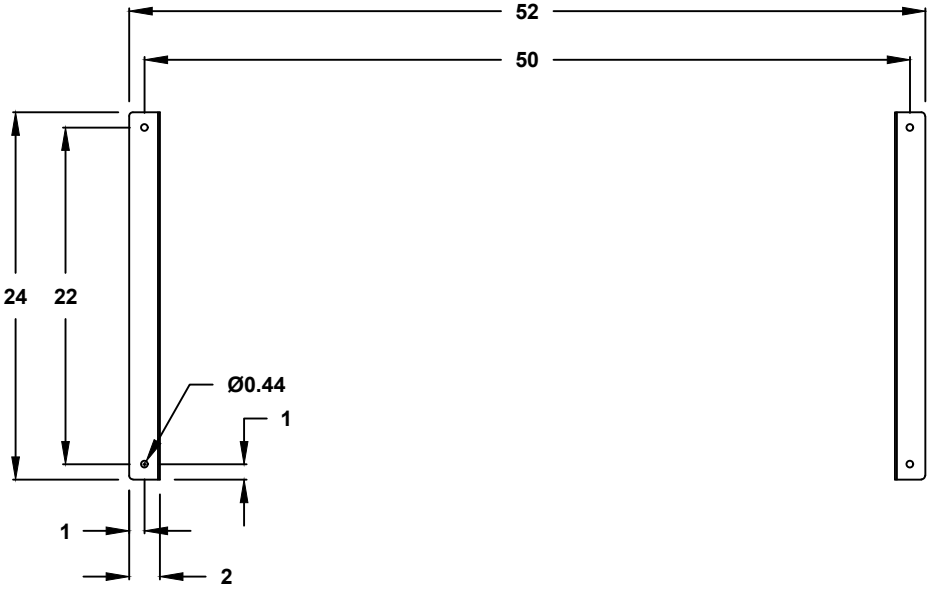
- ADD QUAD BOX
- NOT REQUIRED

**OUTLET BOX AMP.**

- 15A
- 20A

**TOP CROSS SECTION VIEW B-B**

# 36" H x 48" W x 24" D 2 DOOR DESIGN



CROSS SECTION VIEW B-B  
MOUNTING HOLES