

**NEMA 4X - ENCLOSURE
19" RACKMOUNT - 12U
FREE STANDING**

**24" H x 48" W x 42" D
2 DOOR DESIGN**

STAINLESS STEEL



FILE NUMBER: E507642

- ENCLOSURE MATERIAL**
- 304 STAINLESS STEEL (S4)
 - 316 STAINLESS STEEL (S6)

**AIR CONDITIONER (OPTION)
REF. TO PAGE 2**

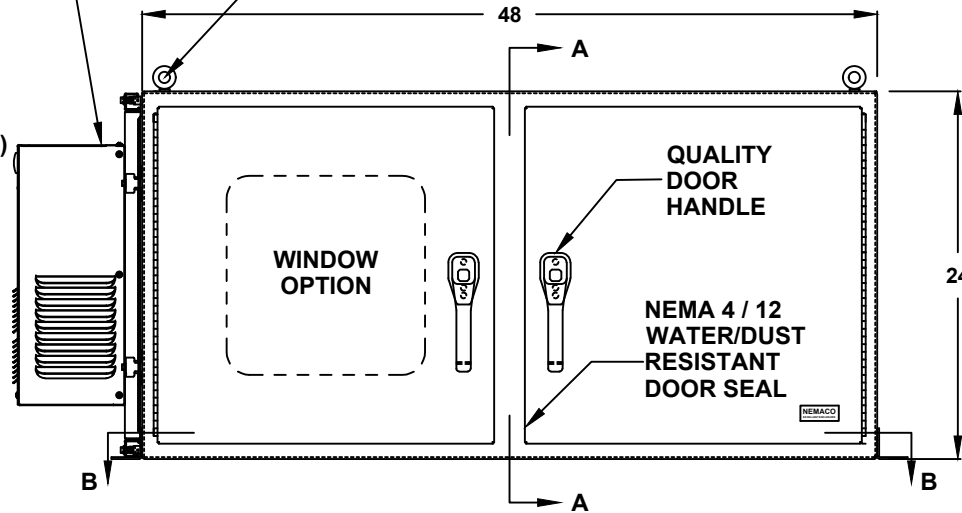
**LIFTING
PAD-EYES**

- CORROSION PROTECTION PACKAGE**
- EXTERIOR PASSIVATION (STANDARD)
 - INTERIOR/EXTERIOR PASSIVATION (OPTION)
 - NOT REQUIRED (ON REQUEST ONLY)

- POWDERCOAT COLOR**
- WHITE
 - LIGHT GRAY ANSI 70
 - DARK GRAY ANSI 61
 - BLACK
 - CUSTOM _____

- ENCLOSURE CONSTRUCTION**
- 14 GA THK.
 - 12 GA THK.

- ENCLOSURE DOOR HINGE**
- CONTINUOUS PIANO HINGE (STANDARD)
 - REMOVABLE LIFT OFF HINGE



FRONT VIEW

- LIFTING EYES**
- WELDED PADEYES (STANDARD)
 - REMOVABLE PADEYES

- *WINDOW OPTIONS**
- TINTED WINDOW
 - TEMPERED GLASS
 - NOT REQUIRED

- DOOR HANDLES**
- PADLOCK PROVISION (STANDARD)
 - KEYLOCK (OPTION)

- BASE EXTENSION**
- 4" BASE EXTENSION
 - 6" BASE EXTENSION
 - 8" BASE EXTENSION
 - 10" BASE EXTENSION
 - 12" BASE EXTENSION
 - NOT REQUIRED

ALL DIMENSIONS ARE ESTIMATED IN INCHES AND MAY VARY DUE TO SELECTED OPTIONS.

COMPANY NAME

APPROVED (PRINTED NAME)

SIGNATURE

DATE

*NOTE: UL & NON-UL OPTIONS AVAILABLE

**24" H x 48" W x 42" D
2 DOOR DESIGN**

- A/C MATERIAL (EXTERIOR)
- 304 STAINLESS STEEL
 - 316 STAINLESS STEEL
 - OTHER _____

- A/C MATERIAL (EXTERIOR)
- 304 STAINLESS STEEL
 - 316 STAINLESS STEEL
 - OTHER _____

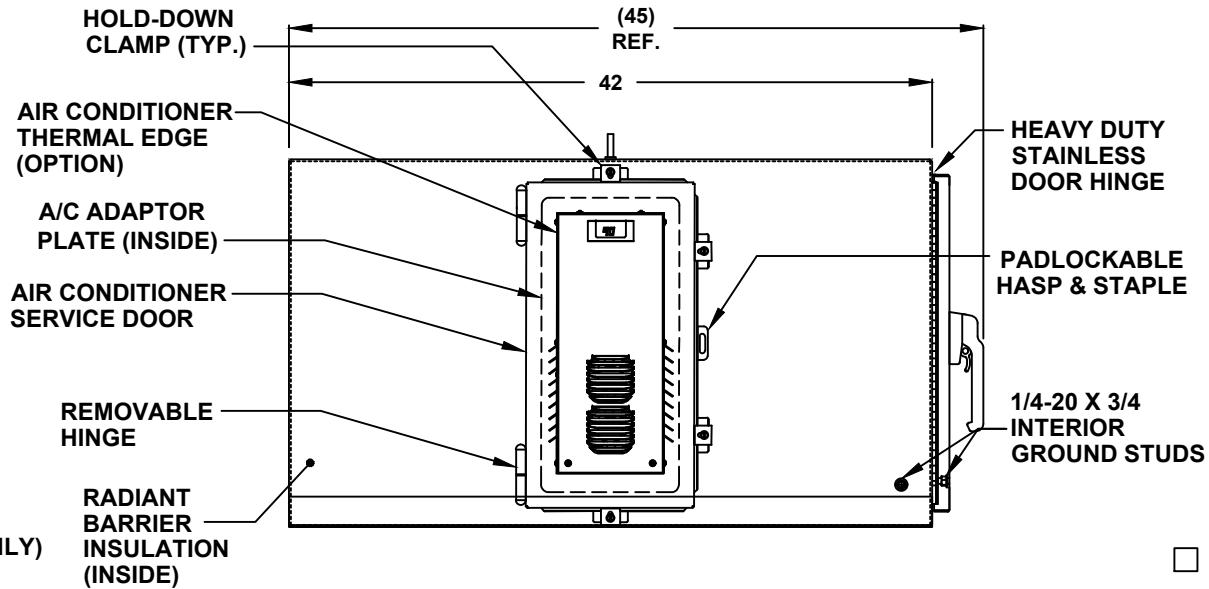
- AIR CONDITIONER
- 1000 BTU (NE/CS)
 - 1500 BTU (NE)
 - 2000 BTU (CS)
 - SPECIFY _____
 - NOT REQUIRED

- A/C VOLTAGE/ HZ
- 115 VOLTS
 - 230 VOLTS
 - 480 VOLTS
 - 60 HZ
 - 50 HZ
 - 48 VDC (CS011 A/C ONLY)

- A/C INTEGRATED HEATER
- 350 WATTS (CS011 A/C ONLY)
 - 500 WATTS
 - 1000 WATTS
 - EXTERNAL HEATER

- ADDITIONAL A/C OPTIONS
- CORROSION PROTECTION PACKAGE
 - DRY CONTACT (OUTPUT SIGNAL)
 - 2" DEEP FILTERS
 - PROXIMITY SWITCH (ON/OFF)

- AIR CONDITIONER- SCADA
- MOBUS RTU 485 (2 WIRE) REMOTE NETWORK ETHERNET CONNECTION
 - MOBUS GATEWAY ADD-ON



LEFT SIDE

- THERMAL SPECIFICATIONS
- OUTSIDE (AMBIENT) _____ °F
 - INTERIOR TEMP. _____ °F
 - HEAT LOAD (WATTS) _____
 - SUN / SHADE _____

- ENCLOSURE INSULATION
- 1/2 RADIANT BARRIER (STANDARD)
 - 3/4 RADIANT BARRIER
 - 1 RADIANT BARRIER
 - NOT REQUIRED

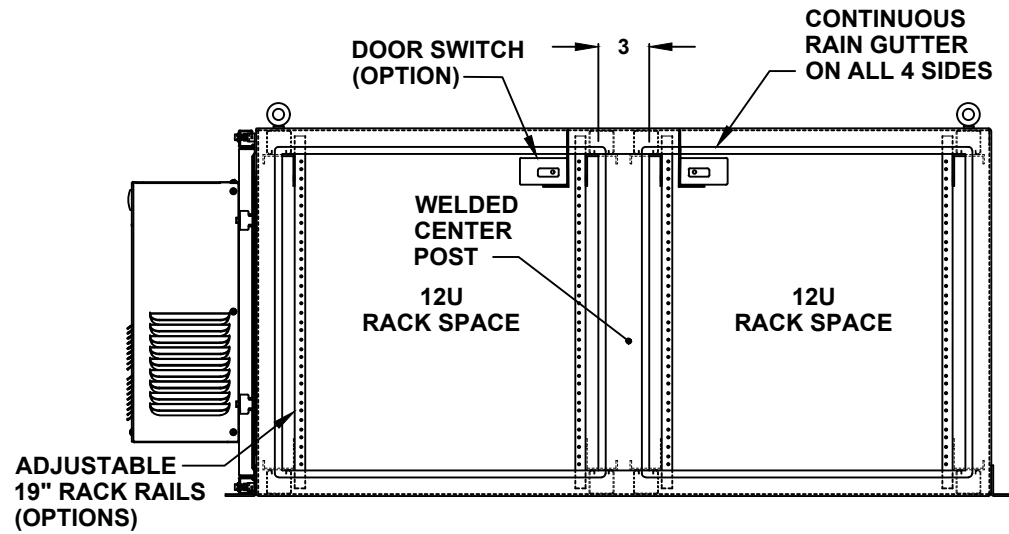
- SUN REFLECTIVE SOLUTION
- TOP SUNSHIELD COVER

- A/C SERVICE DOOR
- INSTALL A/C SERVICE DOOR
 - NOT REQUIRED

- A/C SERVICE DOOR HINGE
- REMOVABLE HINGE
 - CONTINUOUS HINGE

- A/C ADAPTOR PLATE
- INSTALL A/C ADAPTOR PLATE
 - NOT REQUIRED

**24" H x 48" W x 42" D
2 DOOR DESIGN**



FRONT VIEW WITH DOOR REMOVED

DOOR OPTIONS

- DOOR SWITCH
 - 10A (STANDARD)
 - 16A
- PRINT POCKET

CENTER POST

- WELDED (STANDARD)
- REMOVEABLE

RACK RAIL POST

- QTY 4 POST
- QTY 8 POST (REARDOOR REQUIRED)

RACK RAIL MATERIAL

- POWDER COATED STEEL (STANDARD)
- 304 STAINLESS STEEL (HEAVY DUTY)

RACK RAIL MOUNTING HOLES

- #10-32 TAP (STANDARD)
- #1/4-20 TAP
- 3/8 SQUARE

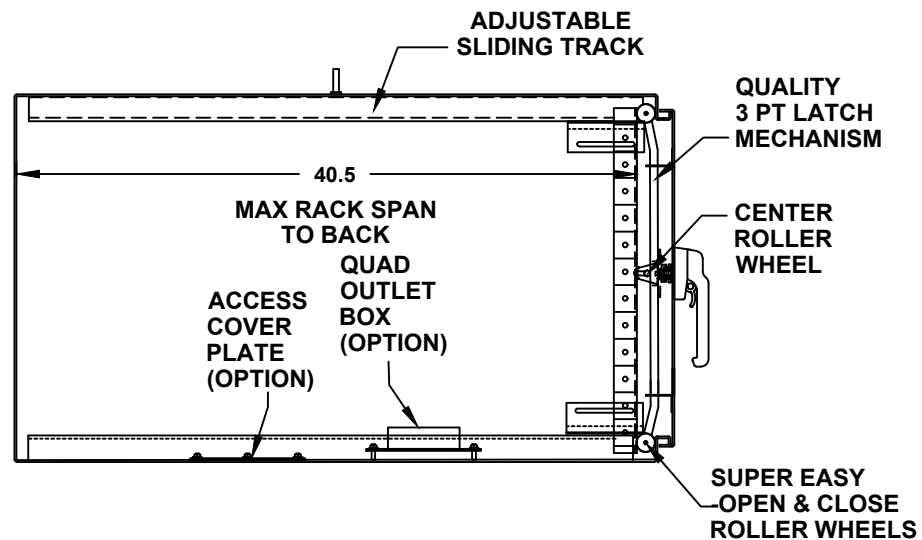
24" H x 48" W x 42" D
2 DOOR DESIGN

- RACK SHELVES**
- STANDARD RACK SHELVES
 - SLIDING RACK SHELVES
 - RACK SHELF SUPPORT

- RACK DRAWERS**
- RACK DRAWERS
 - LAPTOP DRAWERS

- RACK RAIL HARDWARE**
- BLACK CLIP NUTS, #10-32, (100 EA.)
 - #10/32 HIGH POINT SCREWS (100 EA.)
 - M6 CAGE NUTS

- OTHER OPTIONS**
- 19" RACK COPPER BUSBAR
 - VERTICAL RACK PDU

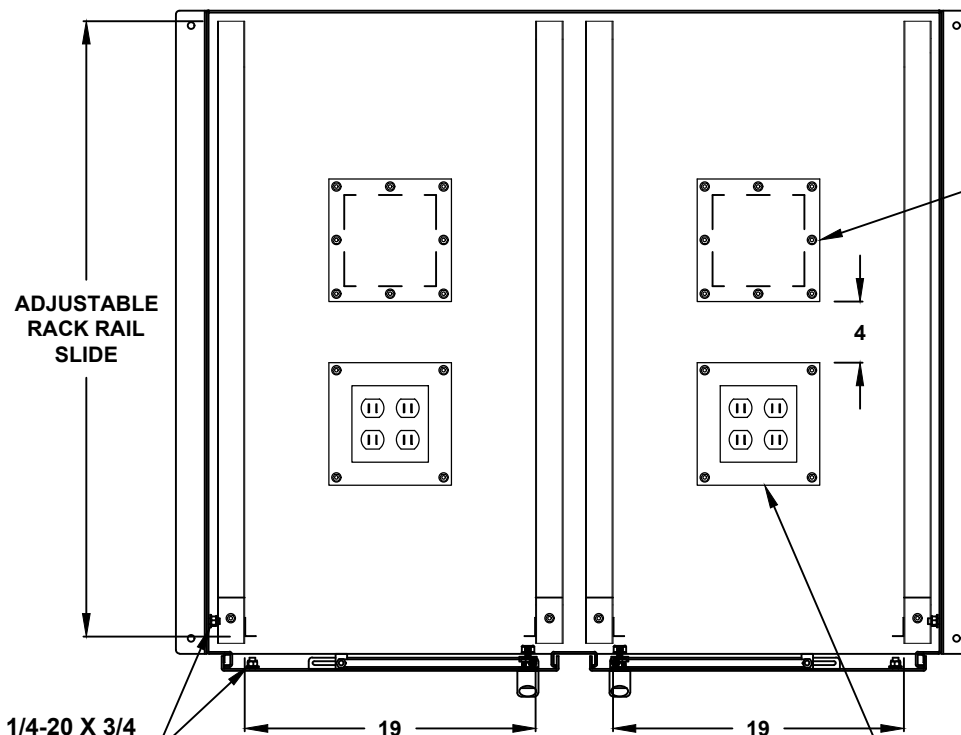


CROSS SECTION VIEW A-A

24" H x 48" W x 42" D 2 DOOR DESIGN

SIDE ACCESS COVER PLATE MAT'L

- POWDER COATED STEEL
- POWDER COATED ALUMINUM
- STAINLESS STEEL, 304



BASE ACCESS COVER PLATE (OPTION)

- 8x8 PLATE (6x6 CUT-OUT)
- 8x16 PLATE (6x14 CUT-OUT)
- 12x12 PLATE (10x10 CUT-OUT)
- 16x16 PLATE (14x14 CUT-OUT)

QUAD OUTLET BOX ON 8x8 PLATE (OPTION)

- ADD QUAD BOX
- NOT REQUIRED

OUTLET BOX AMP.

- 15A
- 20A

1/4-20 X 3/4
INTERIOR
GROUND STUDS

BONDING STRAPS

CONDUIT/CABLE SEAL OPTIONS

- ROXTEC SEAL SOLUTION
- PIPE FITTING HUB
- CABLE GLAND

TOP CROSS SECTION VIEW B-B

24" H x 48" W x 42" D 2 DOOR DESIGN

