

**NEMA 4X - ENCLOSURE
19" RACKMOUNT - 18U
FLOOR MOUNT**

**36" H x 48" W x 30" D
2 DOOR DESIGN**

STAINLESS STEEL



FILE NUMBER: E507642

AIR CONDITIONER (OPTION)
REF. TO PAGE 2

ENCLOSURE MATERIAL

304 STAINLESS STEEL (S4)

316 STAINLESS STEEL (S6)

POWDERCOAT COLOR

WHITE

LIGHT GRAY ANSI 70

DARK GRAY ANSI 61

BLACK

CUSTOM _____

ENCLOSURE CONSTRUCTION

14 GA THK.

12 GA THK.

ENCLOSURE DOOR HINGE

CONTINUOUS PIANO HINGE (STANDARD)

REMOVABLE LIFT OFF HINGE

CORROSION PROTECTION PACKAGE

EXTERIOR PASSIVATION (STANDARD)

INTERIOR/EXTERIOR PASSIVATION (OPTION)

NOT REQUIRED (ON REQUEST ONLY)

FRONT VIEW

LIFTING EYES

WELDED PADEYES (STANDARD)

REMOVABLE PADEYES

***WINDOW OPTIONS**

TINTED WINDOW

TEMPERED GLASS

NOT REQUIRED

DOOR HANDLES

PADLOCK PROVISION (STANDARD)

KEYLOCK (OPTION)

FLOOR KIT

6" HT. (STANDARD)

8" HT.

10" HT.

12" HT.

CUSTOM _____

*NOTE: UL & NON-UL OPTIONS AVAILABLE

COMPANY NAME

APPROVED (PRINTED NAME)

SIGNATURE

DATE

ALL DIMENSIONS ARE ESTIMATED IN INCHES
AND MAY VARY DUE TO SELECTED OPTIONS.

**36" H x 48" W x 30" D
2 DOOR DESIGN**

A/C MATERIAL (EXTERIOR)

- 304 STAINLESS STEEL
- 316 STAINLESS STEEL
- OTHER _____

AIR CONDITIONER

- 1000 BTU
- 1500 BTU
- 2000 BTU
- 3000 BTU
- 4000 BTU
- SPECIFY _____
- NOT REQUIRED

A/C VOLTAGE/ HZ

- 115 VOLTS
- 230 VOLTS
- 480 VOLTS
- 60 HZ
- 50 HZ
- 48 VDC (CS011 A/C ONLY)

A/C INTEGRATED HEATER

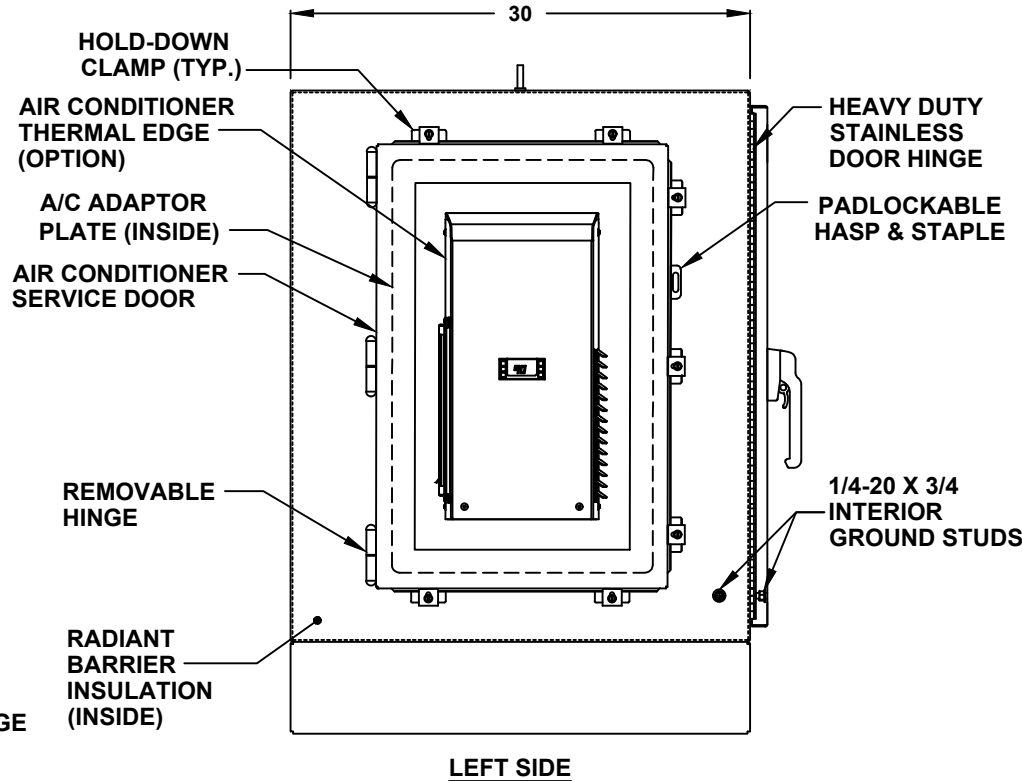
- 350 WATTS (CS011 A/C ONLY)
- 500 WATTS
- 1000 WATTS
- EXTERNAL HEATER

ADDITIONAL A/C OPTIONS

- CORROSION PROTECTION PACKAGE
- DRY CONTACT (OUTPUT SIGNAL)
- 2" DEEP FILTERS
- PROXIMITY SWITCH (ON/OFF)

AIR CONDITIONER- SCADA

- MOBUS RTU 485 (2 WIRE)
REMOTE NETWORK
ETHERNET CONNECTION
- MOBUS GATEWAY
ADD-ON



SUN REFLECTIVE SOLUTION

- TOP SUNSHIELD COVER

THERMAL SPECIFICATIONS

- OUTSIDE (AMBIENT) _____ °F
- INTERIOR TEMP. _____ °F
- HEAT LOAD (WATTS) _____
- SUN / SHADE _____

ENCLOSURE INSULATION

- 1/2 RADIANT BARRIER (STANDARD)
- 3/4 RADIANT BARRIER
- 1 RADIANT BARRIER
- NOT REQUIRED

A/C SERVICE DOOR

- INSTALL A/C SERVICE DOOR
- NOT REQUIRED

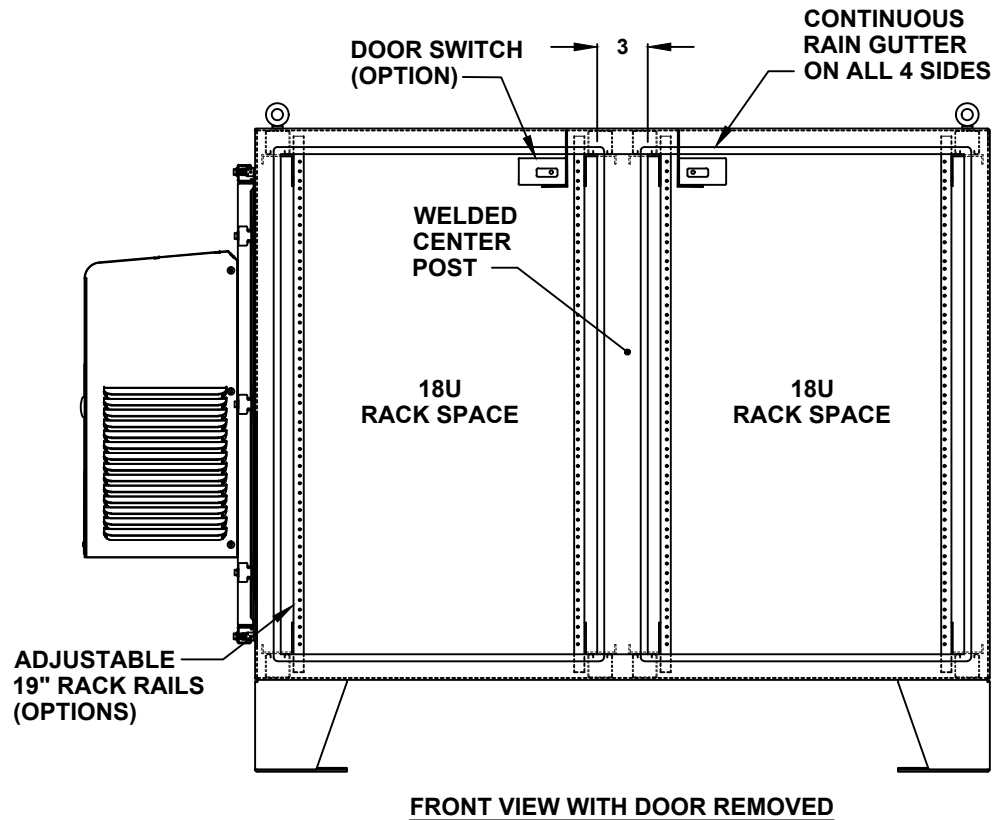
A/C SERVICE DOOR HINGE

- REMOVABLE HINGE
- CONTINUOUS HINGE

A/C ADAPTOR PLATE

- INSTALL A/C ADAPTOR PLATE
- NOT REQUIRED

36" H x 48" W x 30" D
2 DOOR DESIGN



DOOR OPTIONS

- DOOR SWITCH
 - 10A (STANDARD)
 - 16A
- PRINT POCKET

CENTER POST

- WELDED (STANDARD)
- REMOVEABLE

RACK RAIL POST

- QTY 4 POST
- QTY 8 POST (REARDOOR REQUIRED)

RACK RAIL MATERIAL

- POWDER COATED STEEL (STANDARD)
- 304 STAINLESS STEEL (HEAVY DUTY)

RACK RAIL MOUNTING HOLES

- #10-32 TAP (STANDARD)
- #1/4-20 TAP
- 3/8 SQUARE

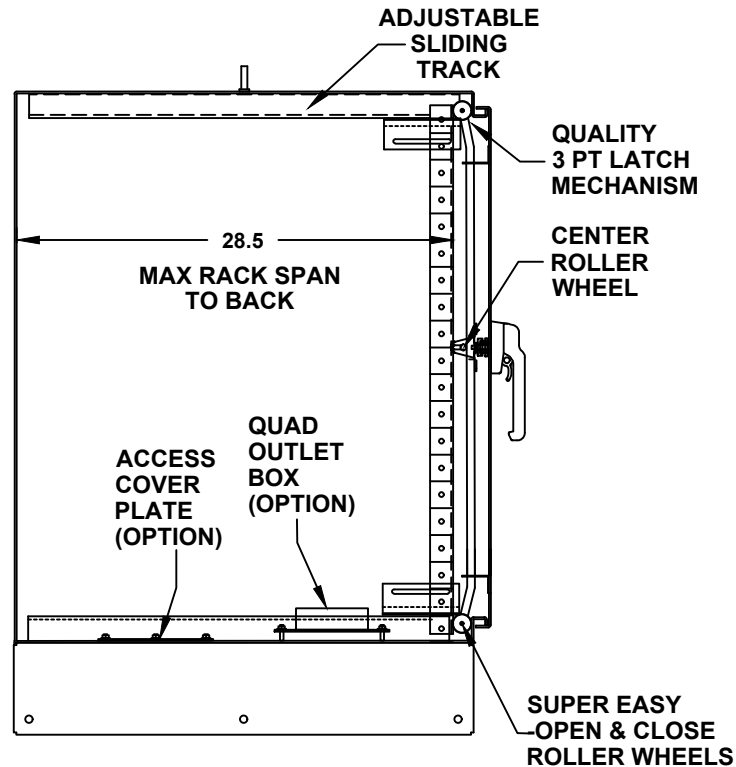
**36" H x 48" W x 30" D
2 DOOR DESIGN**

- RACK SHELVES**
- STANDARD RACK SHELVES
 - SLIDING RACK SHELVES
 - RACK SHELF SUPPORT

- RACK DRAWERS**
- RACK DRAWERS
 - LAPTOP DRAWERS

- RACK RAIL HARDWARE**
- BLACK CLIP NUTS, #10-32, (100 EA.)
 - #10/32 HIGH POINT SCREWS (100 EA.)
 - M6 CAGE NUTS

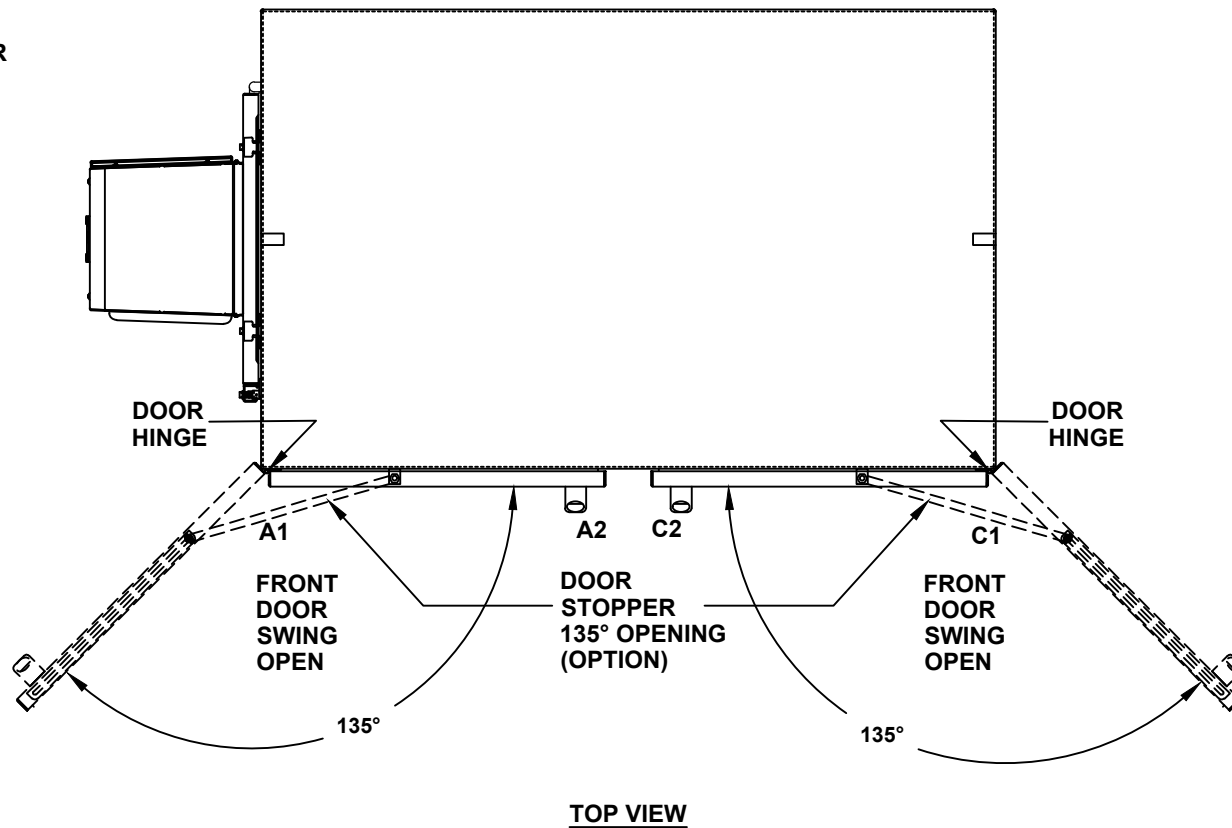
- OTHER OPTIONS**
- 19" RACK COPPER BUSBAR
 - VERTICAL RACK PDU



CROSS SECTION VIEW A-A

36" H x 48" W x 30" D 2 DOOR DESIGN

- DOOR STOPPER**
- INSTALL DOOR STOPPER
 - NOT REQUIRED



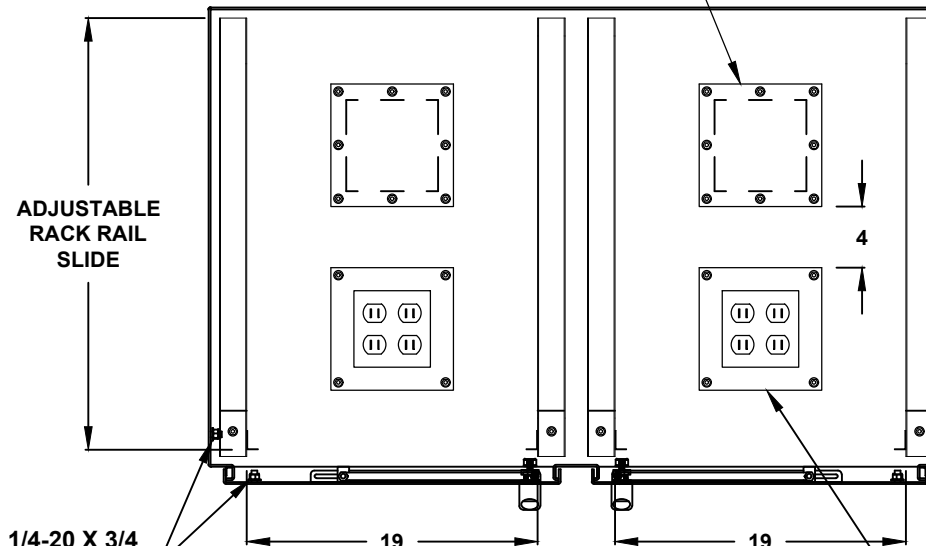
36" H x 48" W x 30" D 2 DOOR DESIGN

**BASE ACCESS COVER PLATE
(OPTION)**

- 8x8 PLATE (6x6 CUT-OUT)
- 8x16 PLATE (6x14 CUT-OUT)
- 12x12 PLATE (10x10 CUT-OUT)
- 16x16 PLATE (14x14 CUT-OUT)

SIDE ACCESS COVER PLATE MAT'L

- POWDER COATED STEEL
- POWDER COATED ALUMINUM
- STAINLESS STEEL, 304



ADJUSTABLE
RACK RAIL
SLIDE

1/4-20 X 3/4
INTERIOR
GROUND STUDS

BONDING STRAPS

CONDUIT/CABLE SEAL OPTIONS

- ROXTEC SEAL SOLUTION
- PIPE FITTING HUB
- CABLE GLAND

**QUAD OUTLET BOX
ON 8x8 PLATE (OPTION)**

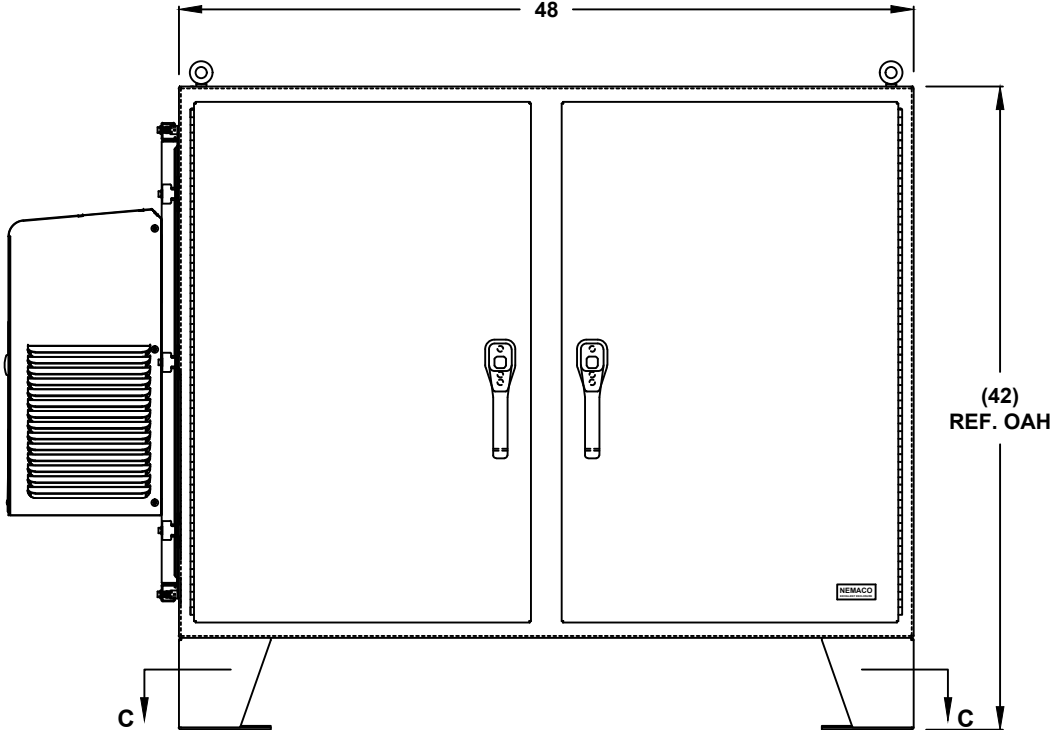
- ADD QUAD BOX
- NOT REQUIRED

OUTLET BOX AMP.

- 15A
- 20A

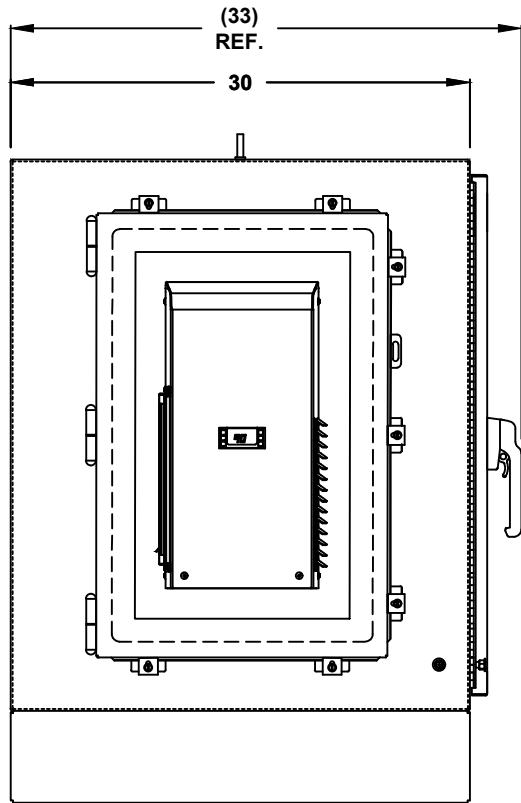
TOP CROSS SECTION VIEW B-B

**36" H x 48" W x 30" D
2 DOOR DESIGN**

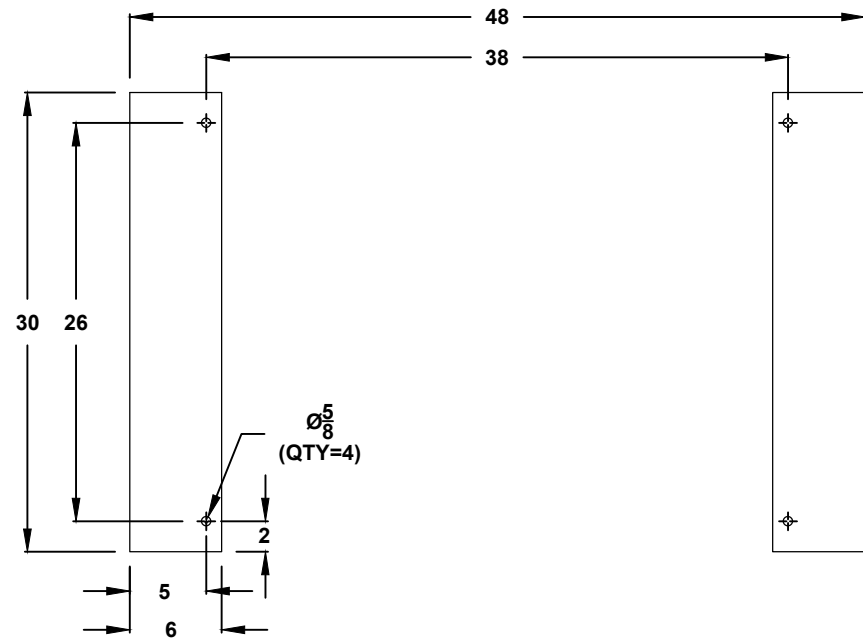


FRONT VIEW

36" H x 48" W x 30" D 2 DOOR DESIGN



LEFT SIDE



CROSS SECTION VIEW C-C
MOUNTING HOLES