

**NEMA 4X - ENCLOSURE
19" RACKMOUNT - 39U HEIGHT
MOBILE UNIT**

**72" H x 24" W x 42" D
2 DOOR DESIGN**



FILE NUMBER: E507642

- LIFTING EYES**
- WELDED PADEYES (STANDARD)
 - REMOVABLE PADEYES

***WINDOW OPTIONS**

- TINTED WINDOW
- TEMPERED GLASS
- NOT REQUIRED

CASTER WHEEL DIAMETER/WIDTH

- 3" DIA. 1-1/4" WIDTH
- 4" DIA. 1-1/4" WIDTH
- 5" DIA. 1-1/4" WIDTH (STANDARD)

CASTER WHEEL MAT. MAX CAP.

- POLYOLEFIN (STD) 200 lbs. ea.
- POLYURETHANE 250 lbs. ea.
- NYLON - WHITE 300 lbs. ea.
- HARD RUBBER 200 lbs. ea.

WHEEL KIT

- 2 SWIVEL- LOCKING
2 STRAIGHT (STANDARD)
- 4 SWIVEL- LOCKING

CASTER WHEEL OPTIONS

- NO BRAKE
- SIDE BRAKE PEDAL (TB)
- TOP BRAKE PEDAL (PTB)

*NOTE: UL & NON-UL OPTIONS AVAILABLE

N4X722442-M2DXX19 (X1) 1/5

STAINLESS STEEL

ENCLOSURE MATERIAL

- 304 STAINLESS STEEL (S4)
- 316 STAINLESS STEEL (S6)

CORROSION PROTECTION PACKAGE

- EXTERIOR PASSIVATION (STANDARD)
- INTERIOR/EXTERIOR PASSIVATION (OPTION)
- NOT REQUIRED (ON REQUEST ONLY)

POWDERCOAT COLOR

- WHITE
- LIGHT GRAY ANSI 70
- DARK GRAY ANSI 61 (STANDARD)
- BLACK
- CUSTOM _____

ENCLOSURE CONSTRUCTION

- 14 GA THK.
- 12 GA THK.

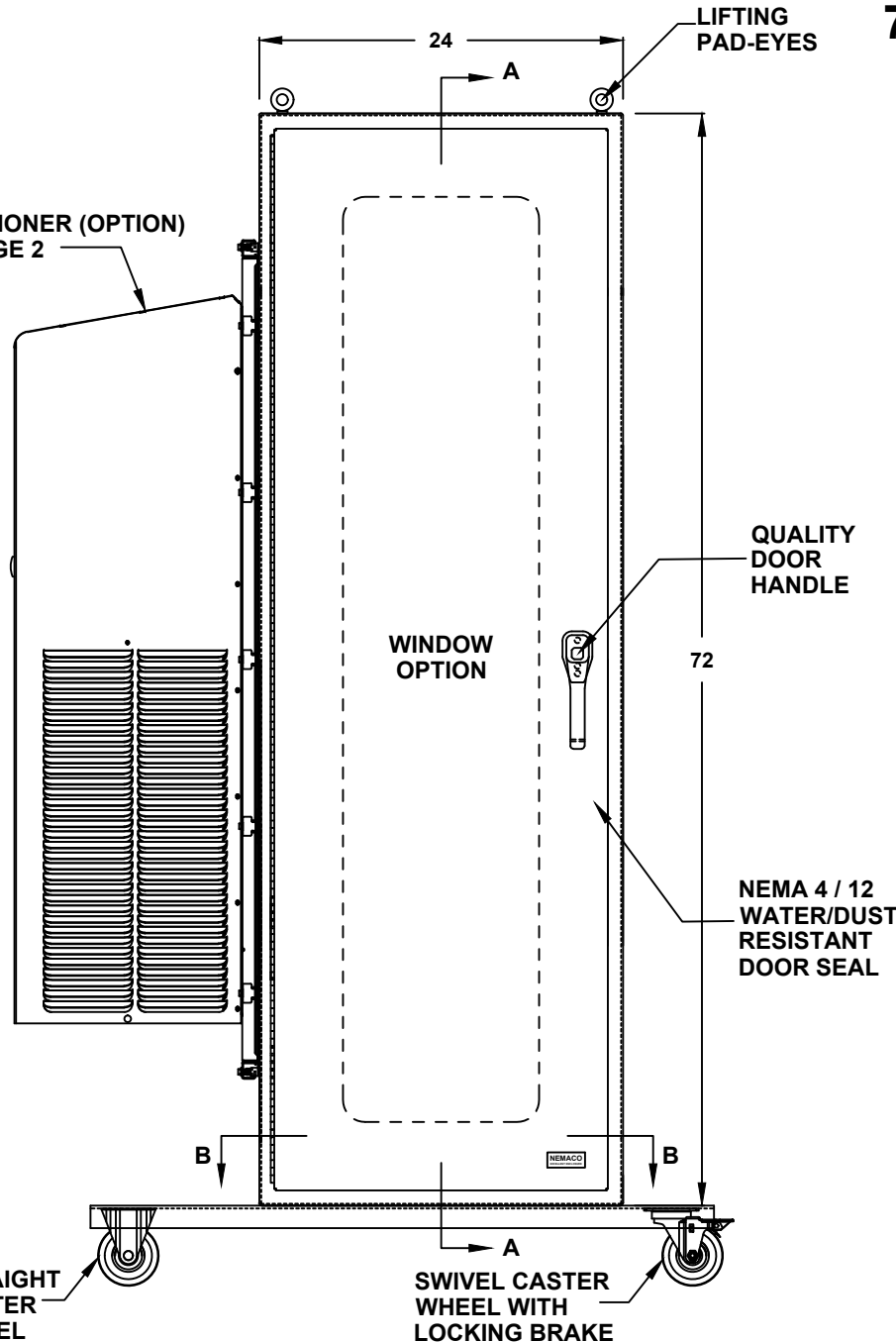
ENCLOSURE DOOR HINGE

- CONTINUOUS PIANO HINGE (STANDARD)
- REMOVABLE LIFT OFF HINGE

DOOR HANDLES

- PADLOCK PROVISION (STANDARD)
- KEYLOCK

AIR CONDITIONER (OPTION)
REF. TO PAGE 2



ALL DIMENSIONS ARE ESTIMATED IN INCHES AND MAY VARY DUE TO SELECTED OPTIONS.

COMPANY NAME _____

APPROVED (PRINTED NAME) _____

SIGNATURE _____ DATE _____

FRONT VIEW

**72" H x 24" W x 42" D
2 DOOR DESIGN**

A/C MATERIAL (EXTERIOR)

- 304 STAINLESS STEEL
- 316 STAINLESS STEEL
- OTHER _____

AIR CONDITIONER

- 1000 BTU
- 2000 BTU
- 3000 BTU
- 4000 BTU
- 5000 BTU
- 6000 BTU
- 8000 BTU
- 10000 BTU
- 12000 BTU
- 15000 BTU
- 20000 BTU
- SPECIFY _____
- NOT REQUIRED

A/C VOLTAGE/ HZ

- 115 VOLTS
- 230 VOLTS
- 480 VOLTS
- 60 HZ
- 50 HZ
- 48 VDC (CS011 / NE040 A/C ONLY)

A/C INTEGRATED HEATER

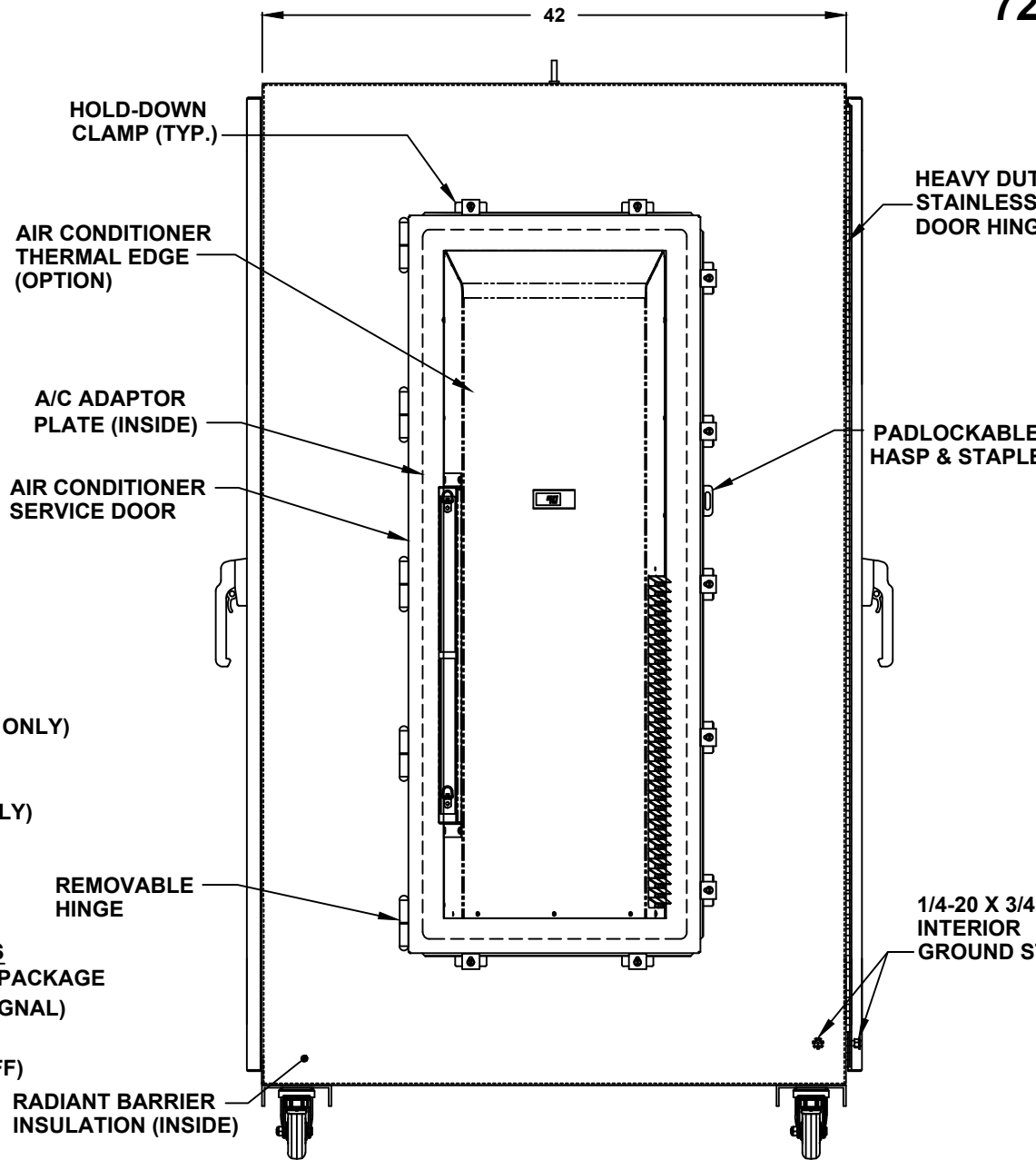
- 350 WATTS (CS011 A/C ONLY)
- 500 WATTS (C3020)
- 1000 WATTS
- EXTERNAL HEATER

ADDITIONAL A/C OPTIONS

- CORROSION PROTECTION PACKAGE
- DRY CONTACT (OUTPUT SIGNAL)
- 2" DEEP FILTERS
- PROXIMITY SWITCH (ON/OFF)

AIR CONDITIONER- SCADA

- MOBUS RTU 485 (2 WIRE)
REMOTE NETWORK
ETHERNET CONNECTION
- MOBUS GATEWAY
ADD-ON



HOLD-DOWN CLAMP (TYP.)

AIR CONDITIONER THERMAL EDGE (OPTION)

A/C ADAPTOR PLATE (INSIDE)

AIR CONDITIONER SERVICE DOOR

REMOVABLE HINGE

RADIANT BARRIER INSULATION (INSIDE)

HEAVY DUTY STAINLESS DOOR HINGE

PADLOCKABLE HASP & STAPLE

1/4-20 X 3/4 INTERIOR GROUND STUDS

SUN REFLECTIVE SOLUTION
 TOP SUNSHIELD COVER

THERMAL SPECIFICATIONS
 OUTSIDE (AMBIENT) _____ °F
 INTERIOR TEMP. _____ °F
 HEAT LOAD (WATTS) _____
 SUN / SHADE _____

ENCLOSURE INSULATION
 1/2 RADIANT BARRIER (STANDARD)
 3/4 RADIANT BARRIER
 1 RADIANT BARRIER
 NOT REQUIRED

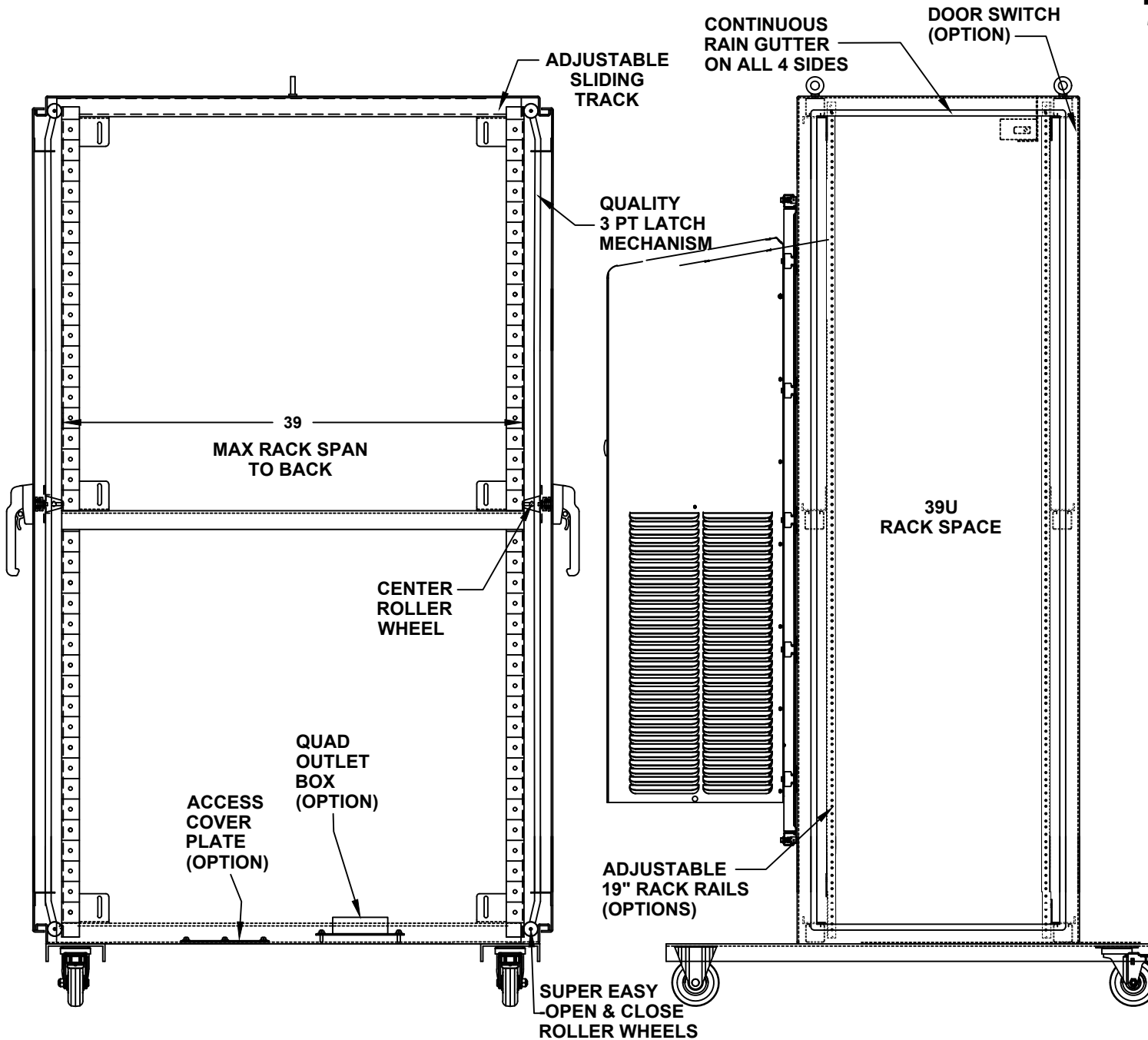
A/C SERVICE DOOR
 INSTALL A/C SERVICE DOOR
 NOT REQUIRED

A/C SERVICE DOOR HINGE
 REMOVABLE HINGE
 CONTINUOUS HINGE

A/C ADAPTOR PLATE
 INSTALL A/C ADAPTOR PLATE
 NOT REQUIRED

LEFT SIDE

72" H x 24" W x 42" D 2 DOOR DESIGN



DOOR OPTIONS

- DOOR SWITCH
- PRINT POCKET

DOOR SWITCH OPTIONS

- 10A (STANDARD)
- 16A

RACK RAIL POST

- QTY 2 POST
- QTY 4 POST (REARDOOR REQUIRED)

RACK RAIL MATERIAL

- POWDER COATED STEEL (STANDARD)
- 304 STAINLESS STEEL

RACK RAIL MOUNTING HOLES

- #10-32 TAP (STANDARD)
- #1/4-20 TAP
- 3/8 SQUARE

RACK RAIL TYPE

- STANDARD GRADE
- HEAVY DUTY RAILS (OPTION)

RACK RAIL OPTIONS

- BLACK CLIP NUTS, #10-32, (100 EA.)
- #10/32 HIGH POINT SCREWS (100 EA.)
- M6 CAGE NUTS

RACK SHELVES (OPTION)

- STANDARD RACK SHELVES
- SLIDING RACK SHELVES
- RACK SHELF SUPPORT

RACK DRAWERS (OPTION)

- RACK DRAWERS
- LAPTOP DRAWERS

OTHER OPTIONS

- 19" RACK COPPER BUSBAR
- VERTICAL RACK PDU

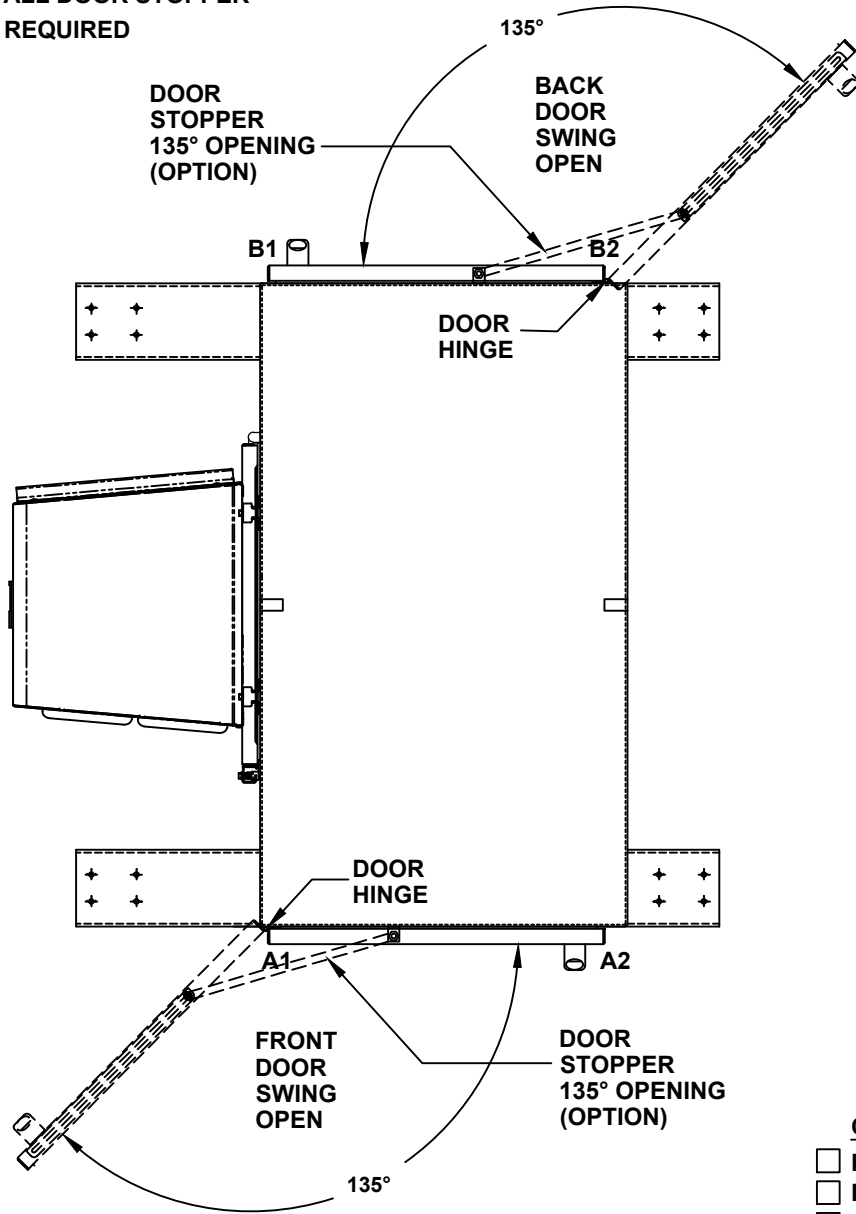
FRONT VIEW WITH DOOR REMOVED

72" H x 24" W x 42" D
2 DOOR DESIGN

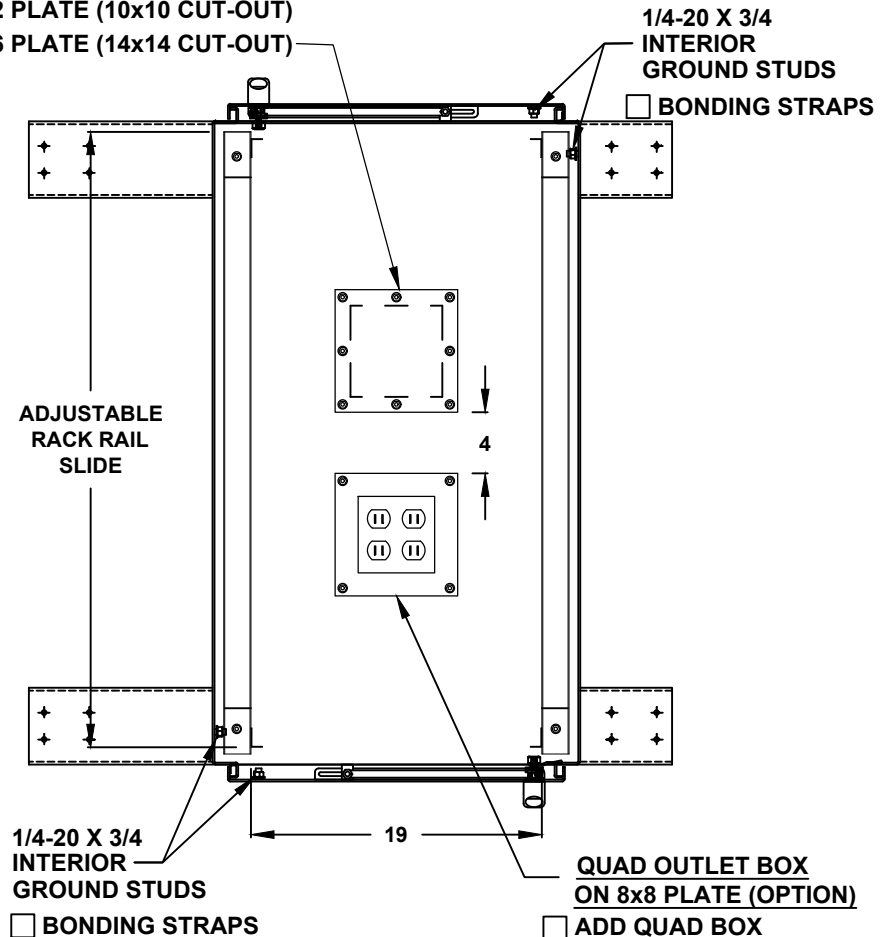
- DOOR STOPPER**
 INSTALL DOOR STOPPER
 NOT REQUIRED

- BASE ACCESS COVER PLATE (OPTION)**
 8x8 PLATE (6x6 CUT-OUT)
 8x16 PLATE (6x14 CUT-OUT)
 12x12 PLATE (10x10 CUT-OUT)
 16x16 PLATE (14x14 CUT-OUT)

- SIDE ACCESS COVER PLATE MAT'L**
 POWDER COATED STEEL
 POWDER COATED ALUMINUM
 STAINLESS STEEL, 304



TOP VIEW

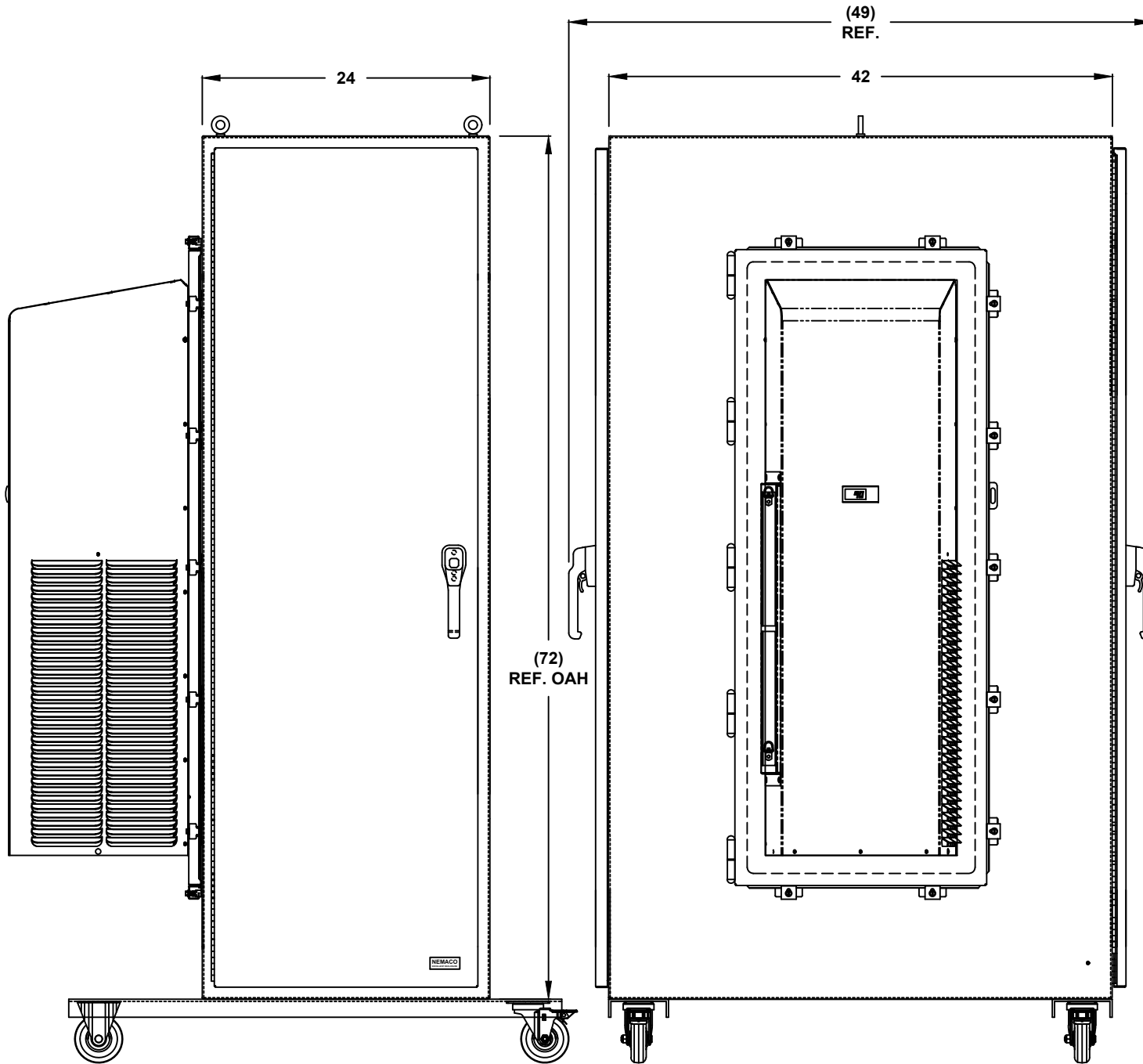


TOP CROSS SECTION VIEW B-B

- CONDUIT/CABLE SEAL OPTIONS**
 ROXTEC SEAL SOLUTION
 PIPE FITTING HUB
 CABLE GLAND

- OUTLET BOX AMP.**
 15A
 20A

72" H x 24" W x 42" D
2 DOOR DESIGN



FRONT VIEW

LEFT SIDE