



FILE NUMBER: E507642

**NEMA 4X - ENCLOSURE
19" RACKMOUNT - 25U HEIGHT
MOBILE UNIT**

STAINLESS STEEL

ENCLOSURE MATERIAL

- 304 STAINLESS STEEL (S4)
- 316 STAINLESS STEEL (S6)

**AIR CONDITIONER (OPTION)
REF. TO PAGE 2**

CORROSION PROTECTION PACKAGE

- EXTERIOR PASSIVATION (STANDARD)
- INTERIOR/EXTERIOR PASSIVATION (OPTION)
- NOT REQUIRED (ON REQUEST ONLY)

POWDERCOAT COLOR

- WHITE
- LIGHT GRAY ANSI 70
- DARK GRAY ANSI 61 (STANDARD)
- BLACK
- CUSTOM _____

ENCLOSURE CONSTRUCTION

- 14 GA THK.
- 12 GA THK.

ENCLOSURE DOOR HINGE

- CONTINUOUS PIANO HINGE (STANDARD)
- REMOVABLE LIFT OFF HINGE

DOOR HANDLES

- PADLOCK PROVISION (STANDARD)
- KEYLOCK

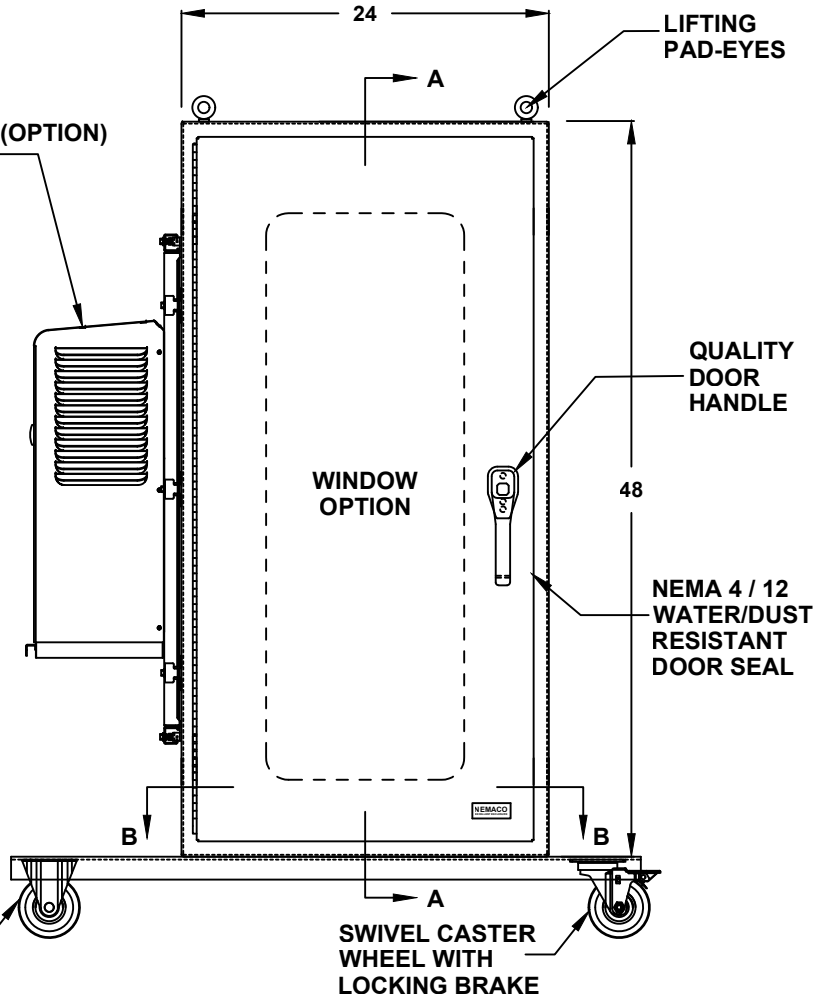
ALL DIMENSIONS ARE ESTIMATED IN INCHES
AND MAY VARY DUE TO SELECTED OPTIONS.

COMPANY NAME

APPROVED (PRINTED NAME)

SIGNATURE

DATE



FRONT VIEW

LIFTING EYES

- WELDED PADEYES (STANDARD)
- REMOVABLE PADEYES

*WINDOW OPTIONS

- TINTED WINDOW
- TEMPERED GLASS
- NOT REQUIRED

CASTER WHEEL DIAMETER/WIDTH

- 3" DIA. 1-1/4" WIDTH
- 4" DIA. 1-1/4" WIDTH
- 5" DIA. 1-1/4" WIDTH (STANDARD)

CASTER WHEEL MAT. MAX CAP.

- POLYOLEFIN (STD) 200 lbs. ea.
- POLYURETHANE 250 lbs. ea.
- NYLON - WHITE 300 lbs. ea.
- HARD RUBBER 200 lbs. ea.

WHEEL KIT

- 2 SWIVEL- LOCKING
2 STRAIGHT (STANDARD)
- 4 SWIVEL- LOCKING

CASTER WHEEL OPTIONS

- NO BRAKE
- SIDE BRAKE PEDAL (TB)
- TOP BRAKE PEDAL (PTB)

*NOTE: UL & NON-UL OPTIONS
AVAILABLE

**48" H x 24" W x 24" D
2 DOOR DESIGN**

A/C MATERIAL (EXTERIOR)

- 304 STAINLESS STEEL
- 316 STAINLESS STEEL
- OTHER _____

AIR CONDITIONER

- 1000 BTU
- 1500 BTU
- 2000 BTU
- 3000 BTU
- 4000 BTU
- 5000 BTU
- 6000 BTU
- 8000 BTU
- SPECIFY _____
- NOT REQUIRED

A/C VOLTAGE/ HZ

- 115 VOLTS
- 230 VOLTS
- 480 VOLTS
- 60 HZ
- 50 HZ
- 48 VDC (CS011 A/C ONLY)

A/C INTEGRATED HEATER

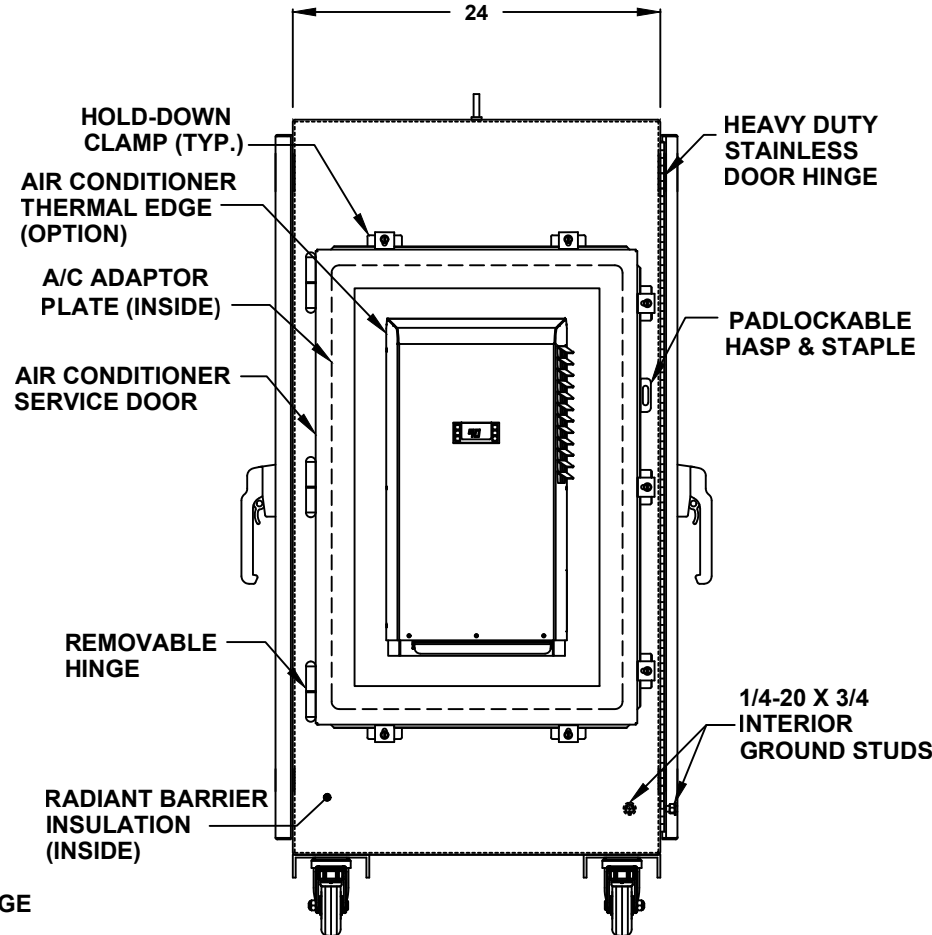
- 350 WATTS (CS011 A/C ONLY)
- 500 WATTS
- 1000 WATTS
- EXTERNAL HEATER

ADDITIONAL A/C OPTIONS

- CORROSION PROTECTION PACKAGE
- DRY CONTACT (OUTPUT SIGNAL)
- 2" DEEP FILTERS
- PROXIMITY SWITCH (ON/OFF)

AIR CONDITIONER- SCADA

- MOBUS RTU 485 (2 WIRE)
REMOTE NETWORK
ETHERNET CONNECTION
- MOBUS GATEWAY
ADD-ON



LEFT SIDE

SUN REFLECTIVE SOLUTION

- TOP SUNSHIELD COVER

THERMAL SPECIFICATIONS

- OUTSIDE (AMBIENT) _____ °F
- INTERIOR TEMP. _____ °F
- HEAT LOAD (WATTS) _____
- SUN / SHADE _____

ENCLOSURE INSULATION

- 1/2 RADIANT BARRIER (STANDARD)
- 3/4 RADIANT BARRIER
- 1 RADIANT BARRIER
- NOT REQUIRED

A/C SERVICE DOOR

- INSTALL A/C SERVICE DOOR
- NOT REQUIRED

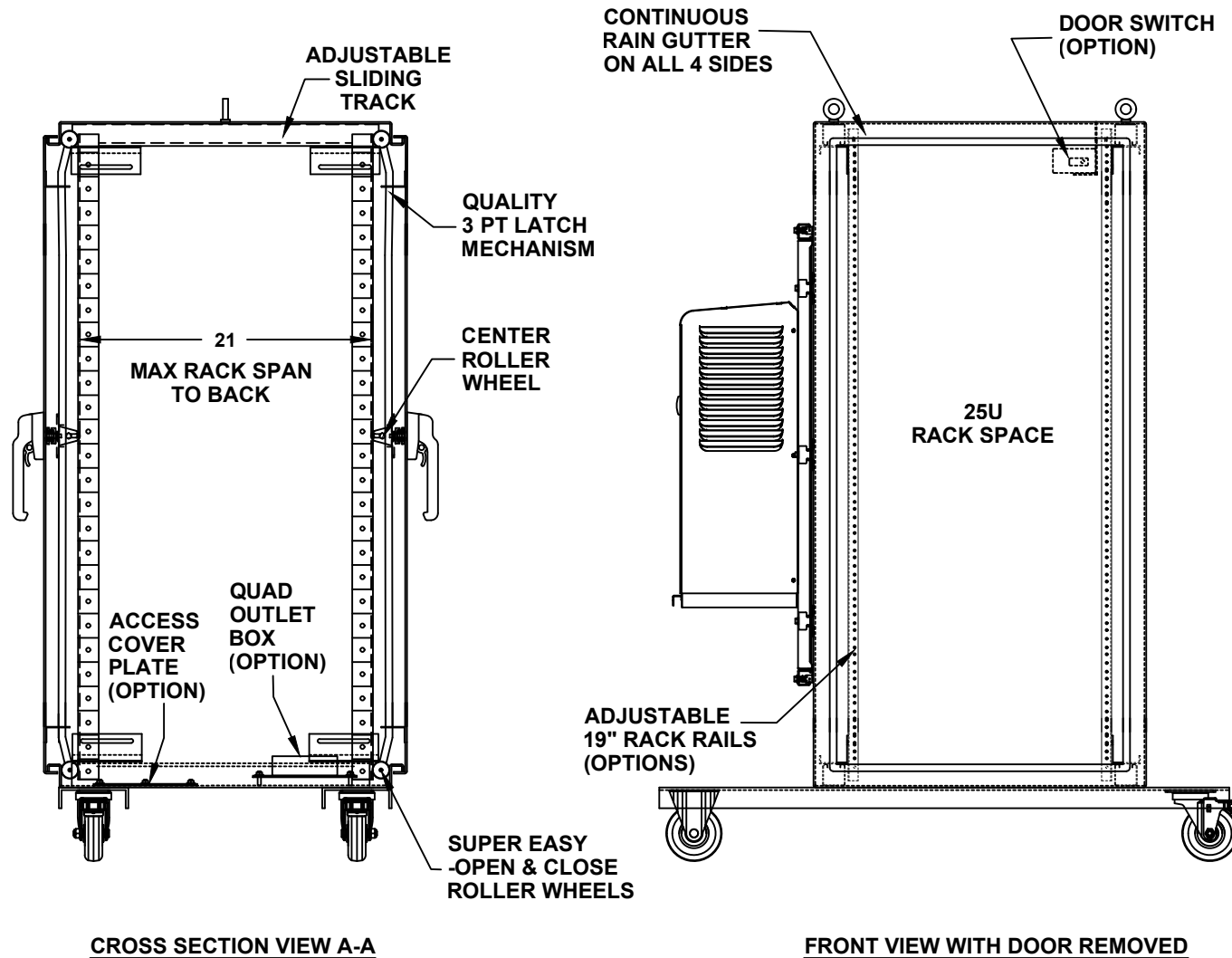
A/C SERVICE DOOR HINGE

- REMOVABLE HINGE
- CONTINUOUS HINGE

A/C ADAPTOR PLATE

- INSTALL A/C ADAPTOR PLATE
- NOT REQUIRED

48" H x 24" W x 24" D 2 DOOR DESIGN



DOOR OPTIONS

- DOOR SWITCH
- PRINT POCKET

DOOR SWITCH OPTIONS

- 10A (STANDARD)
- 16A

RACK RAIL POST

- QTY 2 POST
- QTY 4 POST (REARDOOR REQUIRED)

RACK RAIL MATERIAL

- POWDER COATED STEEL (STANDARD)
- 304 STAINLESS STEEL

RACK RAIL MOUNTING HOLES

- #10-32 TAP (STANDARD)
- #1/4-20 TAP
- 3/8 SQUARE

RACK RAIL TYPE

- STANDARD GRADE
- HEAVY DUTY RAILS (OPTION)

RACK RAIL OPTIONS

- BLACK CLIP NUTS, #10-32, (100 EA.)
- #10/32 HIGH POINT SCREWS (100 EA.)
- M6 CAGE NUTS

RACK SHELVES (OPTION)

- STANDARD RACK SHELVES
- SLIDING RACK SHELVES
- RACK SHELF SUPPORT

RACK DRAWERS (OPTION)

- RACK DRAWERS
- LAPTOP DRAWERS

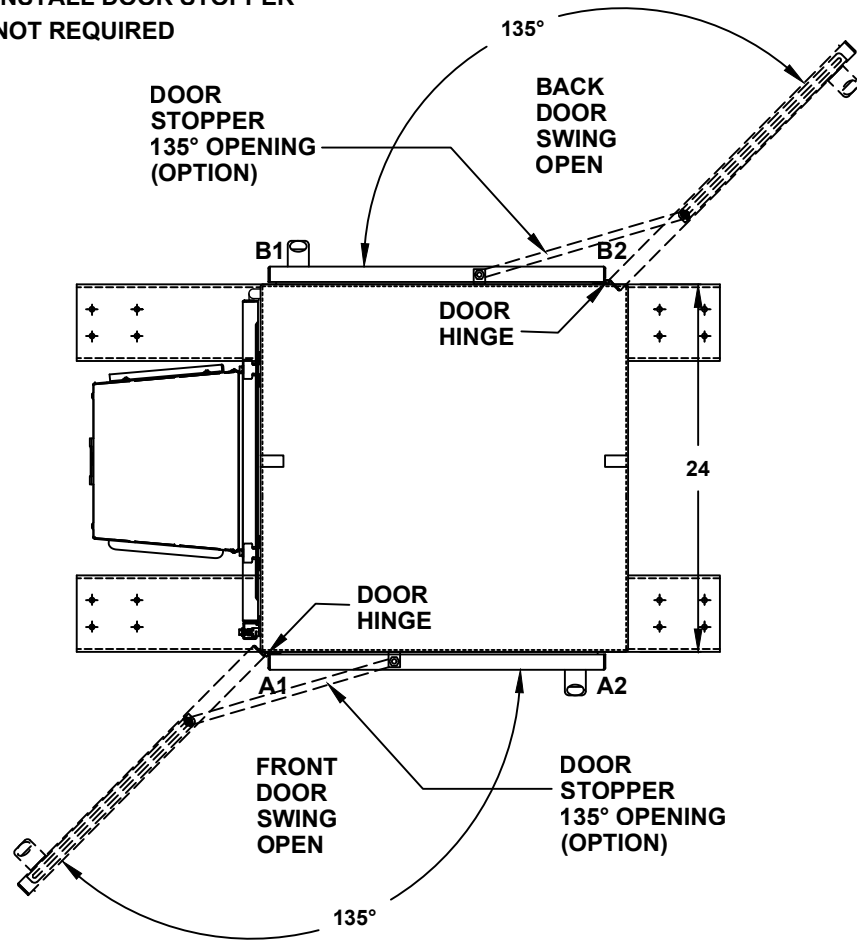
OTHER OPTIONS

- 19" RACK COPPER BUSBAR
- VERTICAL RACK PDU

48" H x 24" W x 24" D 2 DOOR DESIGN

DOOR STOPPER

- INSTALL DOOR STOPPER
- NOT REQUIRED



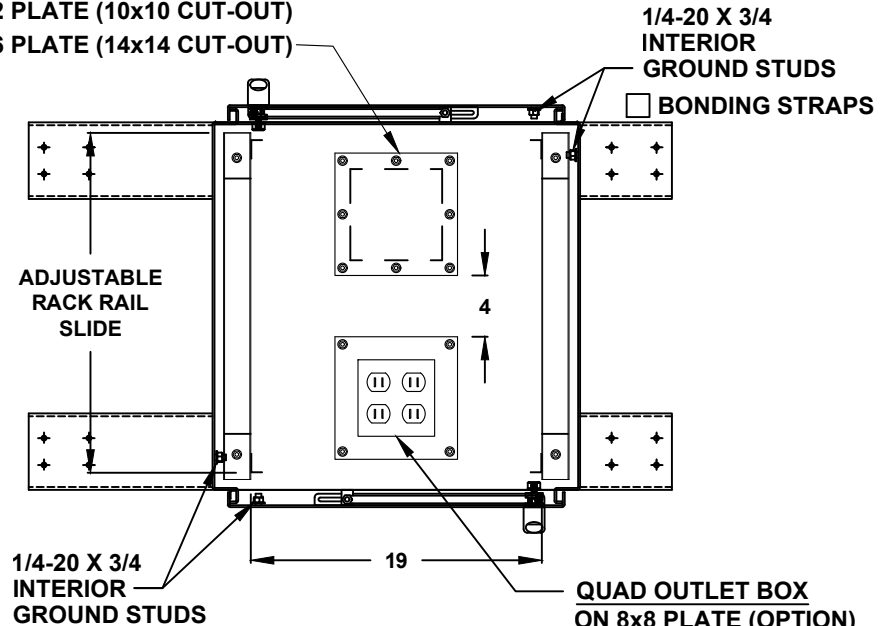
TOP VIEW

BASE ACCESS COVER PLATE (OPTION)

- 8x8 PLATE (6x6 CUT-OUT)
- 8x16 PLATE (6x14 CUT-OUT)
- 12x12 PLATE (10x10 CUT-OUT)
- 16x16 PLATE (14x14 CUT-OUT)

SIDE ACCESS COVER PLATE MAT'L

- POWDER COATED STEEL
- POWDER COATED ALUMINUM
- STAINLESS STEEL, 304



TOP CROSS SECTION VIEW B-B

CONDUIT/CABLE SEAL OPTIONS

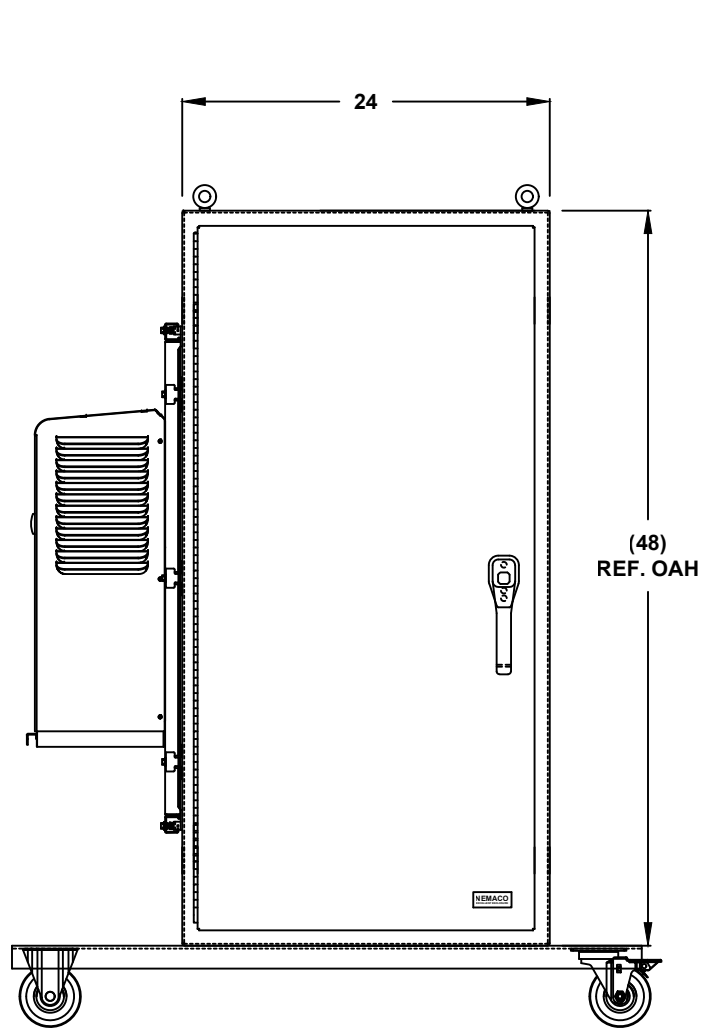
- ROXTEC SEAL SOLUTION
- PIPE FITTING HUB
- CABLE GLAND

- QUAD OUTLET BOX ON 8x8 PLATE (OPTION)
- ADD QUAD BOX
- NOT REQUIRED

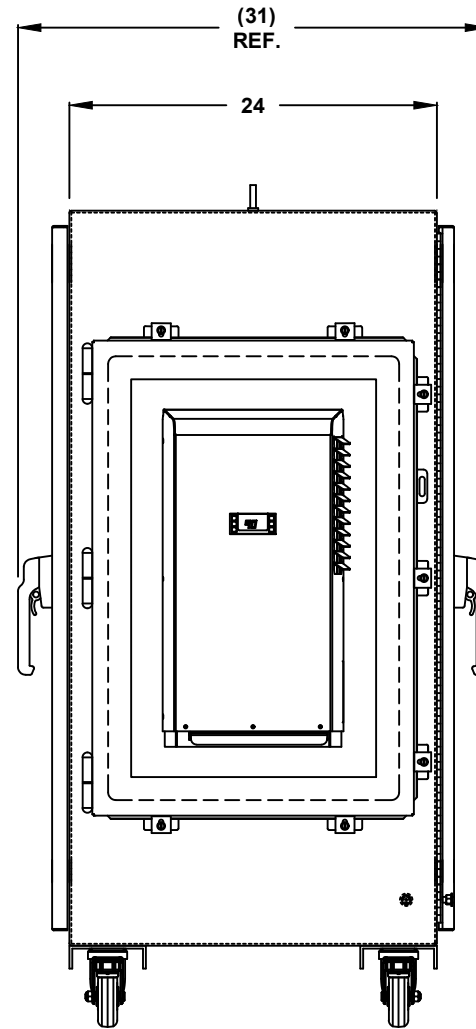
OUTLET BOX AMP.

- 15A
- 20A

48" H x 24" W x 24" D 2 DOOR DESIGN



FRONT VIEW



LEFT SIDE