

**NEMA 4/12 - ENCLOSURE
19" RACKMOUNT - 15U HEIGHT
FLOOR MOUNT**

**30" H x 48" W x 48" D
4 DOOR DESIGN**



FILE NUMBER: E507642

AIR CONDITIONER (OPTION)
REF. TO PAGE 2

ENCLOSURE MATERIAL

POWDER COATED STEEL (CS)

POWDER COATED ALUMINUM (AL)

POWDERCOAT COLOR

WHITE

LIGHT GRAY ANSI 70

DARK GRAY ANSI 61 (STANDARD)

BLACK

CUSTOM _____

ENCLOSURE CONSTRUCTION

14 GA THK.

12 GA THK.

ENCLOSURE DOOR HINGE

CONTINUOUS PIANO HINGE (STANDARD)

REMOVABLE LIFT OFF HINGE

FRONT VIEW

LIFTING EYES

WELDED PADEYES (STANDARD)

REMOVABLE PADEYES

***WINDOW OPTIONS**

TINTED WINDOW

TEMPERED GLASS

NOT REQUIRED

DOOR HANDLES

PADLOCK PROVISION (STANDARD)

KEYLOCK (OPTION)

FLOOR KIT

6" HT. (STANDARD)

8" HT.

10" HT.

12" HT.

CUSTOM _____

ALL DIMENSIONS ARE ESTIMATED IN INCHES AND MAY VARY DUE TO SELECTED OPTIONS.

COMPANY NAME

APPROVED (PRINTED NAME)

SIGNATURE

DATE

*NOTE: UL & NON-UL OPTIONS AVAILABLE

30" H x 48" W x 48" D
4 DOOR DESIGN

AIR CONDITIONER

- 1000 BTU (NE/CS)
- 1500 BTU (NE)
- 2000 BTU (CS)
- SPECIFY _____
- NOT REQUIRED

A/C VOLTAGE/ HZ

- 115 VOLTS
- 230 VOLTS
- 480 VOLTS
- 60 HZ
- 50 HZ
- 48 VDC (CS011 A/C ONLY)

A/C INTEGRATED HEATER

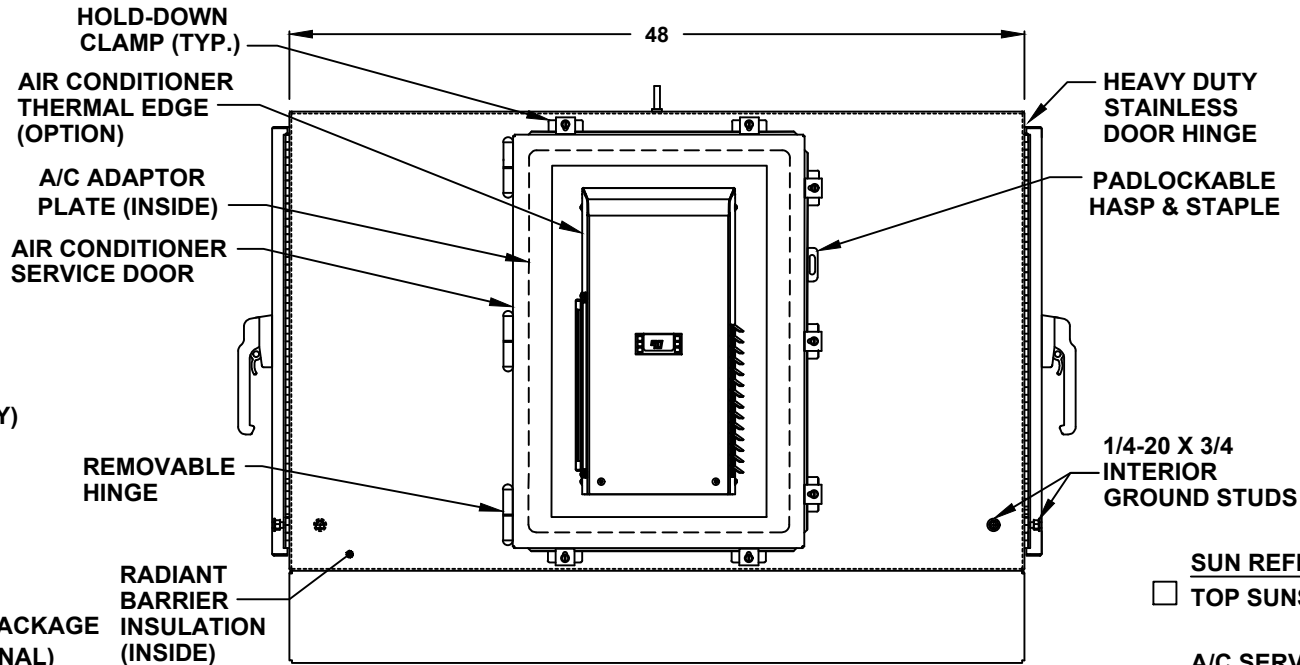
- 350 WATTS (CS011 A/C ONLY)
- 500 WATTS
- 1000 WATTS
- EXTERNAL HEATER

ADDITIONAL A/C OPTIONS

- CORROSION PROTECTION PACKAGE
- DRY CONTACT (OUTPUT SIGNAL)
- 2" DEEP FILTERS
- PROXIMITY SWITCH (ON/OFF)

AIR CONDITIONER- SCADA

- MOBUS RTU 485 (2 WIRE)
REMOTE NETWORK
ETHERNET CONNECTION
- MOBUS GATEWAY
ADD-ON



LEFT SIDE

THERMAL SPECIFICATIONS

- OUTSIDE (AMBIENT) _____ °F
- INTERIOR TEMP. _____ °F
- HEAT LOAD (WATTS) _____
- SUN / SHADE _____

ENCLOSURE INSULATION

- 1/2 RADIANT BARRIER (STANDARD)
- 3/4 RADIANT BARRIER
- 1 RADIANT BARRIER
- NOT REQUIRED

SUN REFLECTIVE SOLUTION

- TOP SUNSHIELD COVER

A/C SERVICE DOOR

- INSTALL A/C SERVICE DOOR
- NOT REQUIRED

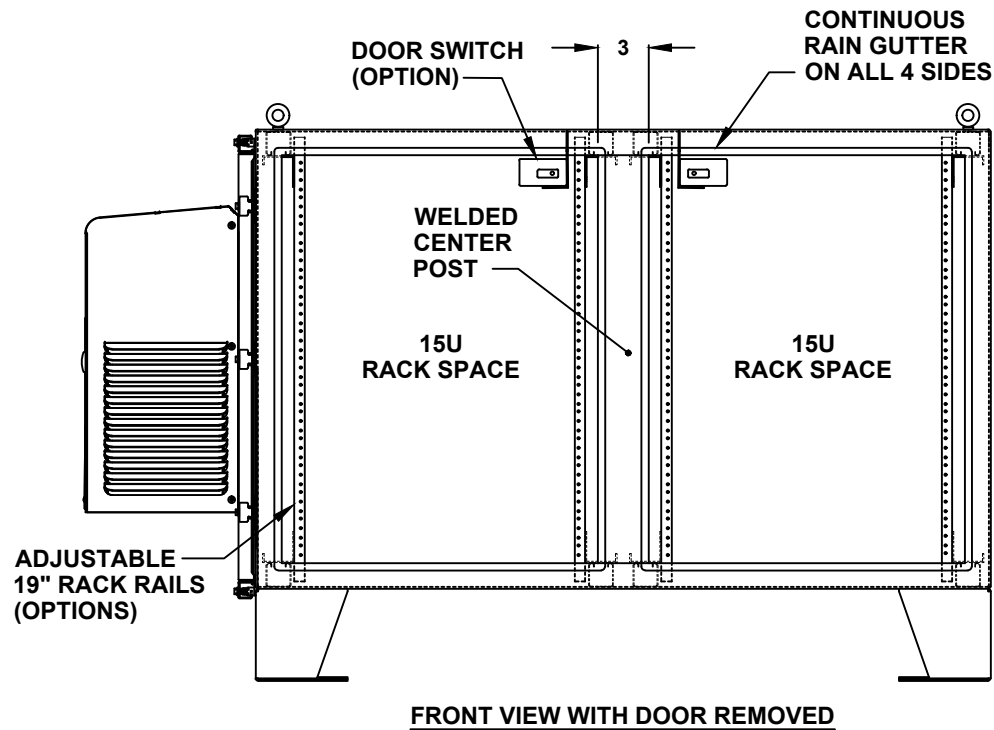
A/C SERVICE DOOR HINGE

- REMOVABLE HINGE
- CONTINUOUS HINGE

A/C ADAPTOR PLATE

- INSTALL A/C ADAPTOR PLATE
- NOT REQUIRED

**30" H x 48" W x 48" D
4 DOOR DESIGN**



DOOR OPTIONS

- DOOR SWITCH
- 10A (STANDARD)
- 16A
- PRINT POCKET

CENTER POST

- WELDED (STANDARD)
- REMOVEABLE

RACK RAIL POST

- QTY 4 POST
- QTY 8 POST (REARDOOR REQUIRED)

RACK RAIL MATERIAL

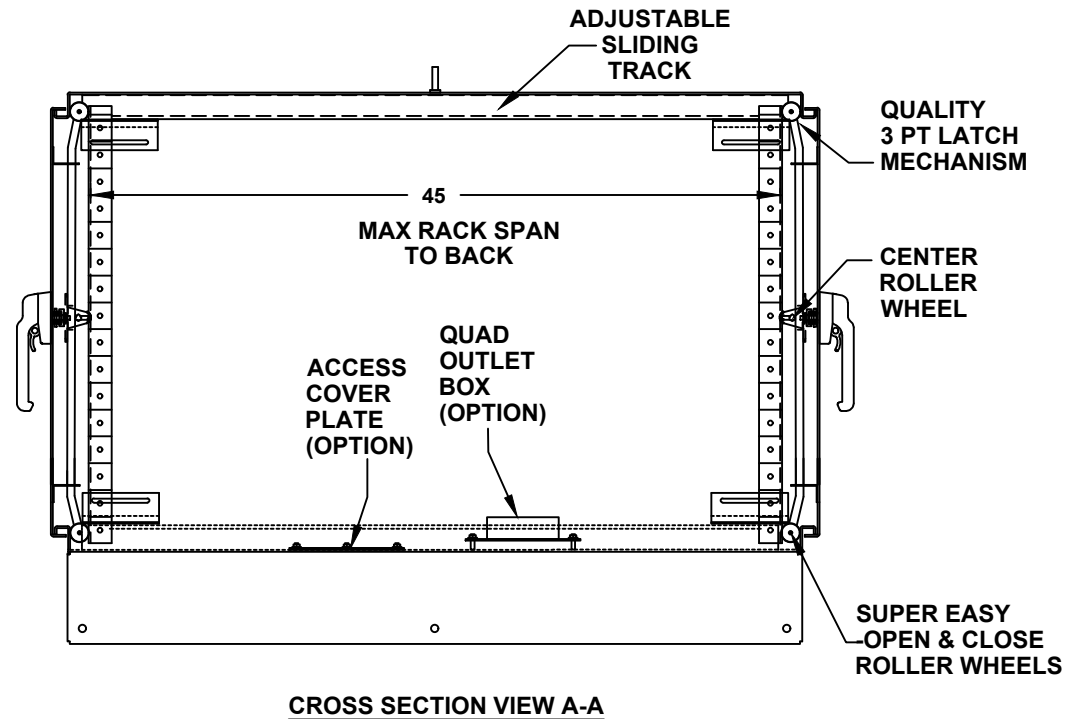
- POWDER COATED STEEL (STANDARD)
- 304 STAINLESS STEEL (HEAVY DUTY)

RACK RAIL MOUNTING HOLES

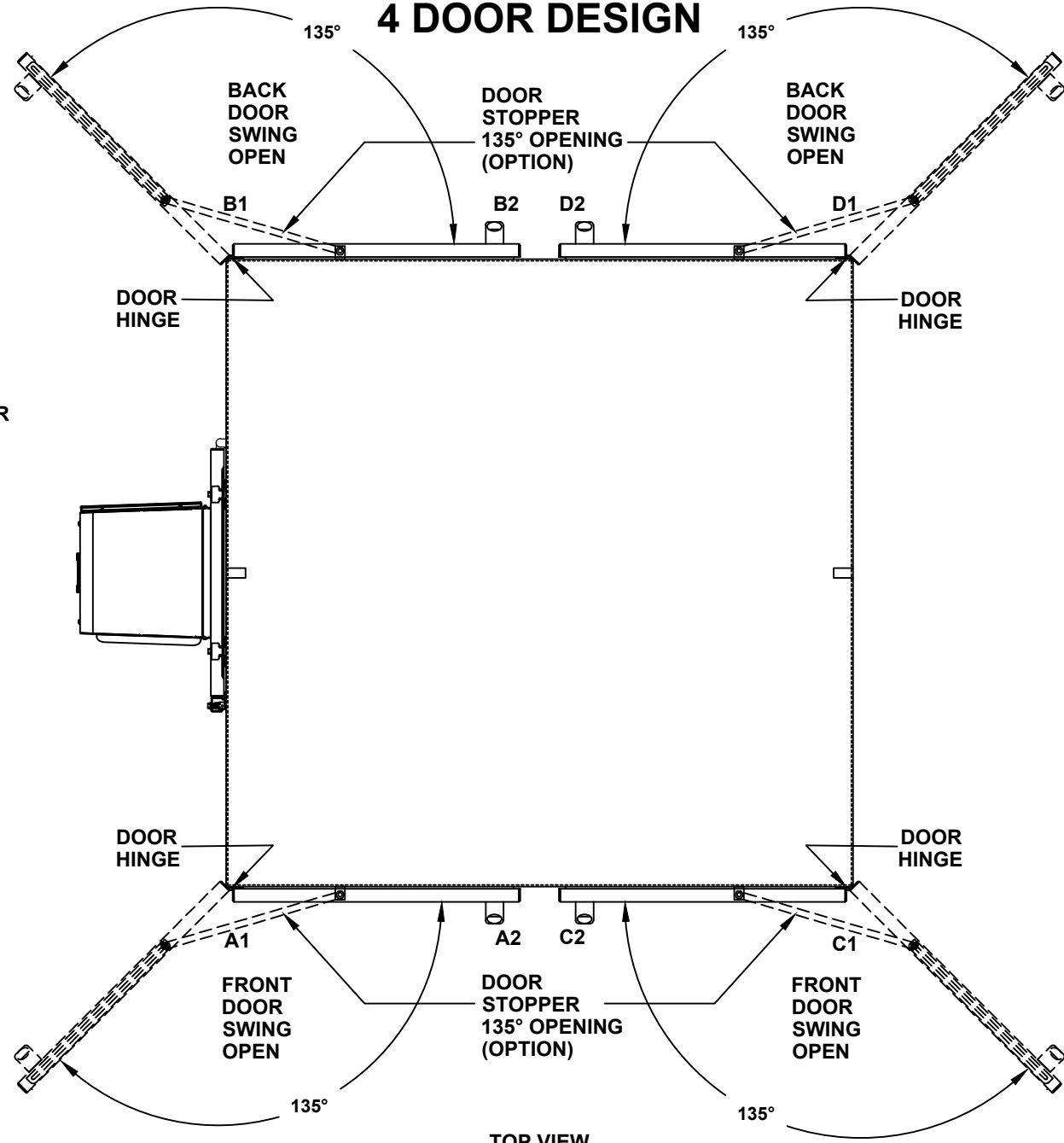
- #10-32 TAP (STANDARD)
- #1/4-20 TAP
- 3/8 SQUARE

30" H x 48" W x 48" D
4 DOOR DESIGN

- RACK SHELVES**
 - STANDARD RACK SHELVES
 - SLIDING RACK SHELVES
 - RACK SHELF SUPPORT
- RACK DRAWERS**
 - RACK DRAWERS
 - LAPTOP DRAWERS
- RACK RAIL HARDWARE**
 - BLACK CLIP NUTS, #10-32, (100 EA.)
 - #10/32 HIGH POINT SCREWS (100 EA.)
 - M6 CAGE NUTS
- OTHER OPTIONS**
 - 19" RACK COPPER BUSBAR
 - VERTICAL RACK PDU



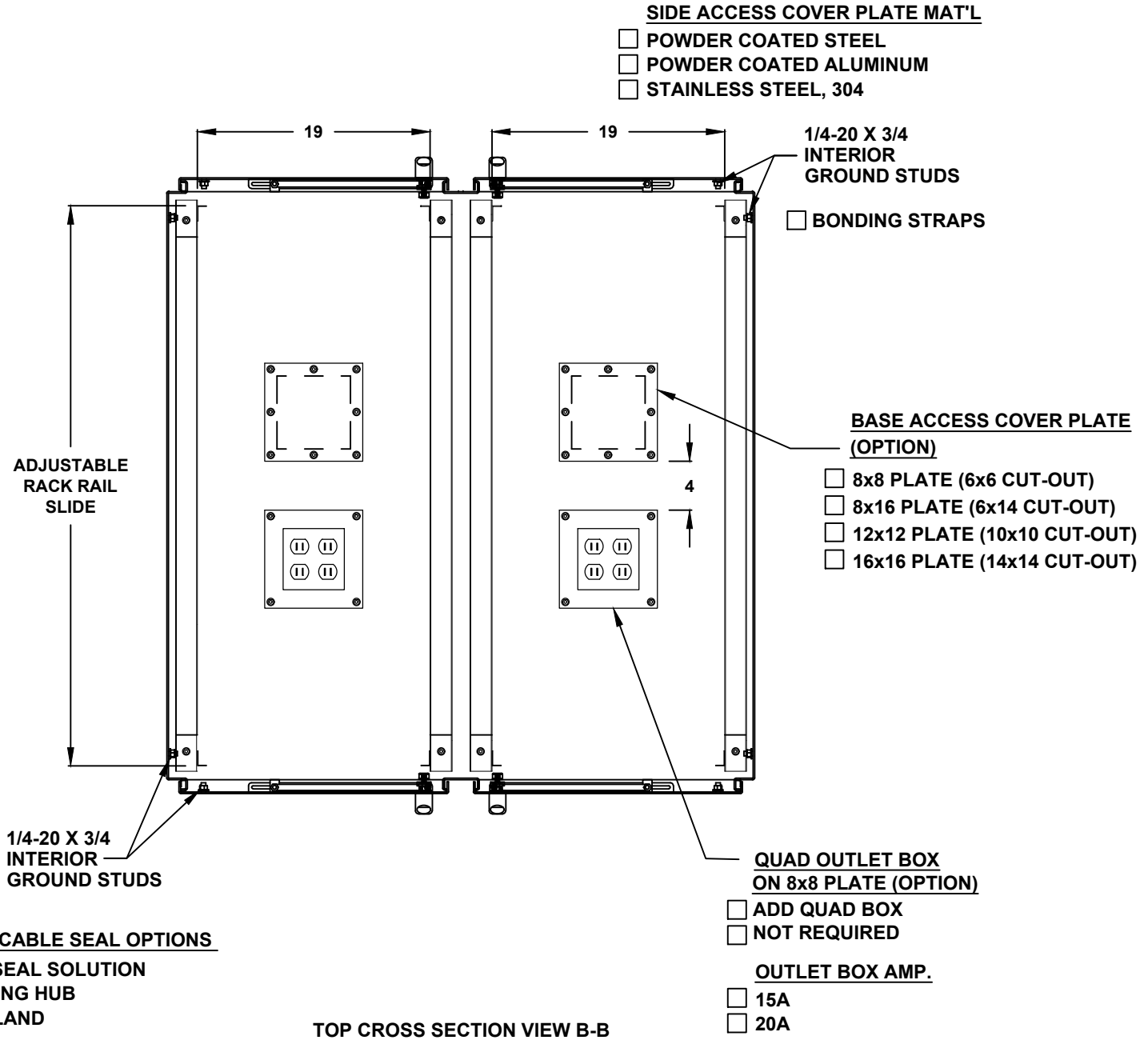
30" H x 48" W x 48" D 4 DOOR DESIGN



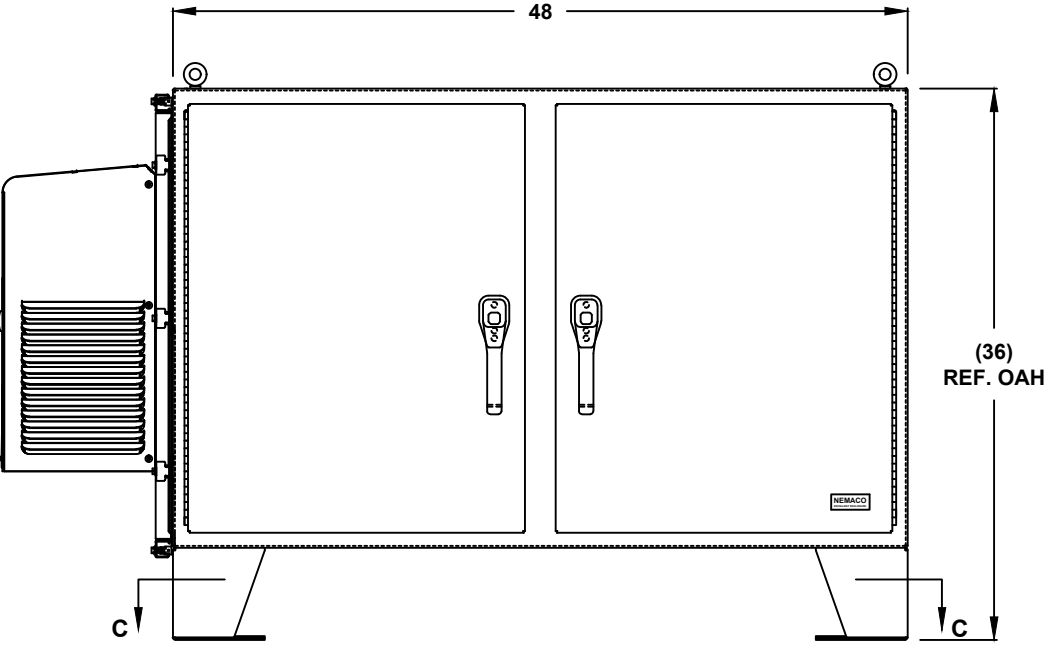
- DOOR STOPPER**
- INSTALL DOOR STOPPER
 - NOT REQUIRED

TOP VIEW

30" H x 48" W x 48" D 4 DOOR DESIGN

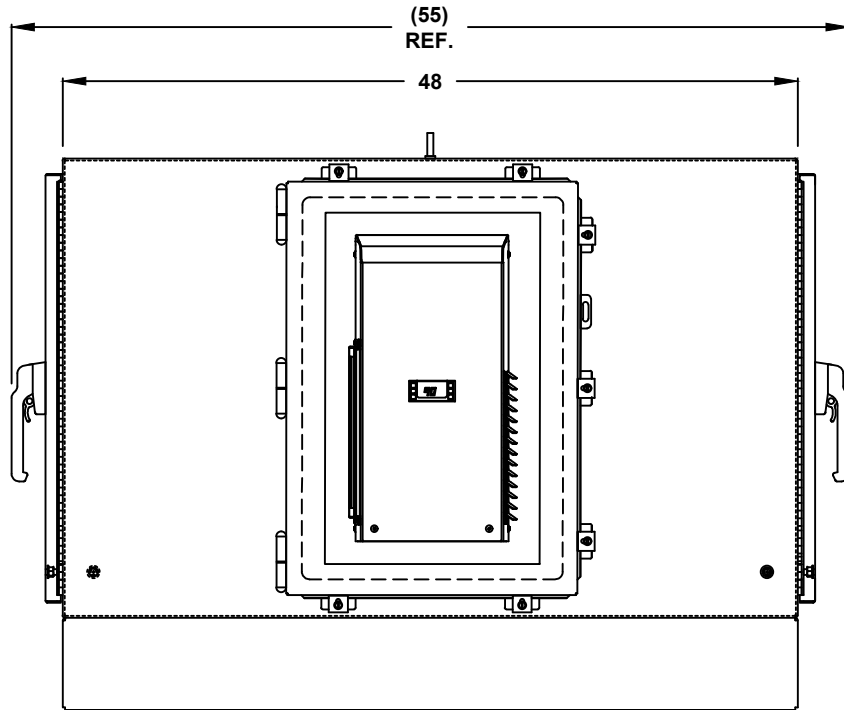


30" H x 48" W x 48" D
4 DOOR DESIGN

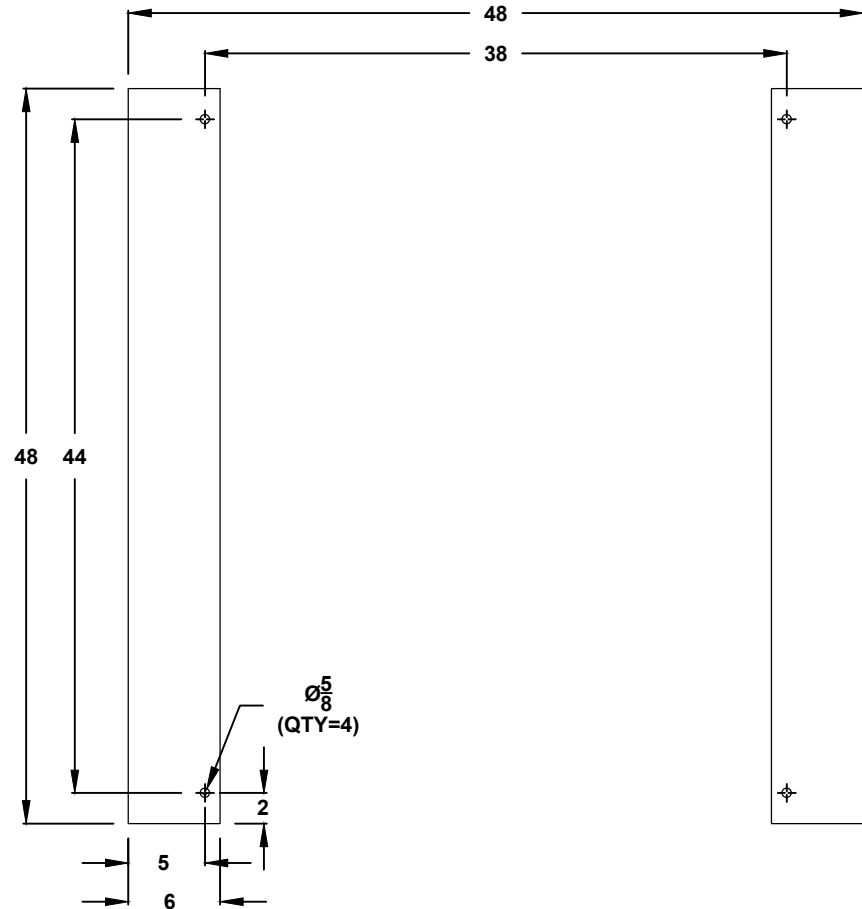


FRONT VIEW

30" H x 48" W x 48" D 4 DOOR DESIGN



LEFT SIDE



CROSS SECTION VIEW C-C
MOUNTING HOLES