

**NEMA 4/12 - ENCLOSURE  
19" RACKMOUNT - 12U HEIGHT  
FLOOR MOUNT**

**24" H x 48" W x 48" D  
4 DOOR DESIGN**



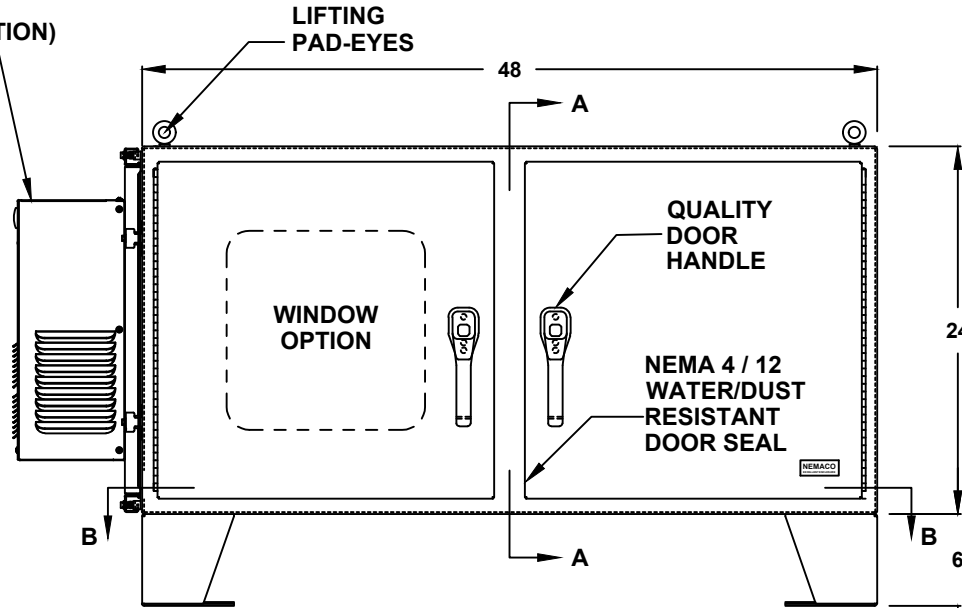
FILE NUMBER: E507642

- AIR CONDITIONER (OPTION)  
REF. TO PAGE 2**
- ENCLOSURE MATERIAL**
- POWDER COATED STEEL (CS)
  - POWDER COATED ALUMINUM (AL)

- POWDERCOAT COLOR**
- WHITE
  - LIGHT GRAY ANSI 70
  - DARK GRAY ANSI 61 (STANDARD)
  - BLACK
  - CUSTOM \_\_\_\_\_

- ENCLOSURE CONSTRUCTION**
- 14 GA THK.
  - 12 GA THK.

- ENCLOSURE DOOR HINGE**
- CONTINUOUS PIANO HINGE (STANDARD)
  - REMOVABLE LIFT OFF HINGE



**FRONT VIEW**

- LIFTING EYES**
- WELDED PADEYES (STANDARD)
  - REMOVABLE PADEYES

- \*WINDOW OPTIONS**
- TINTED WINDOW
  - TEMPERED GLASS
  - NOT REQUIRED

- DOOR HANDLES**
- PADLOCK PROVISION (STANDARD)
  - KEYLOCK (OPTION)

- FLOOR KIT**
- 6" HT. (STANDARD)
  - 8" HT.
  - 10" HT.
  - 12" HT.
  - CUSTOM \_\_\_\_\_

ALL DIMENSIONS ARE ESTIMATED IN INCHES AND MAY VARY DUE TO SELECTED OPTIONS.

\_\_\_\_\_  
COMPANY NAME

\_\_\_\_\_  
APPROVED (PRINTED NAME)

\_\_\_\_\_  
SIGNATURE

\_\_\_\_\_  
DATE

\*NOTE: UL & NON-UL OPTIONS AVAILABLE

24" H x 48" W x 48" D  
4 DOOR DESIGN

**AIR CONDITIONER**

- 1000 BTU (NE/CS)
- 1500 BTU (NE)
- 2000 BTU (CS)
- SPECIFY \_\_\_\_\_
- NOT REQUIRED

**A/C VOLTAGE/ HZ**

- 115 VOLTS
- 230 VOLTS
- 480 VOLTS
- 60 HZ
- 50 HZ
- 48 VDC (CS011 A/C ONLY)

**A/C INTEGRATED HEATER**

- 350 WATTS (CS011 A/C ONLY)
- 500 WATTS
- 1000 WATTS
- EXTERNAL HEATER

**ADDITIONAL A/C OPTIONS**

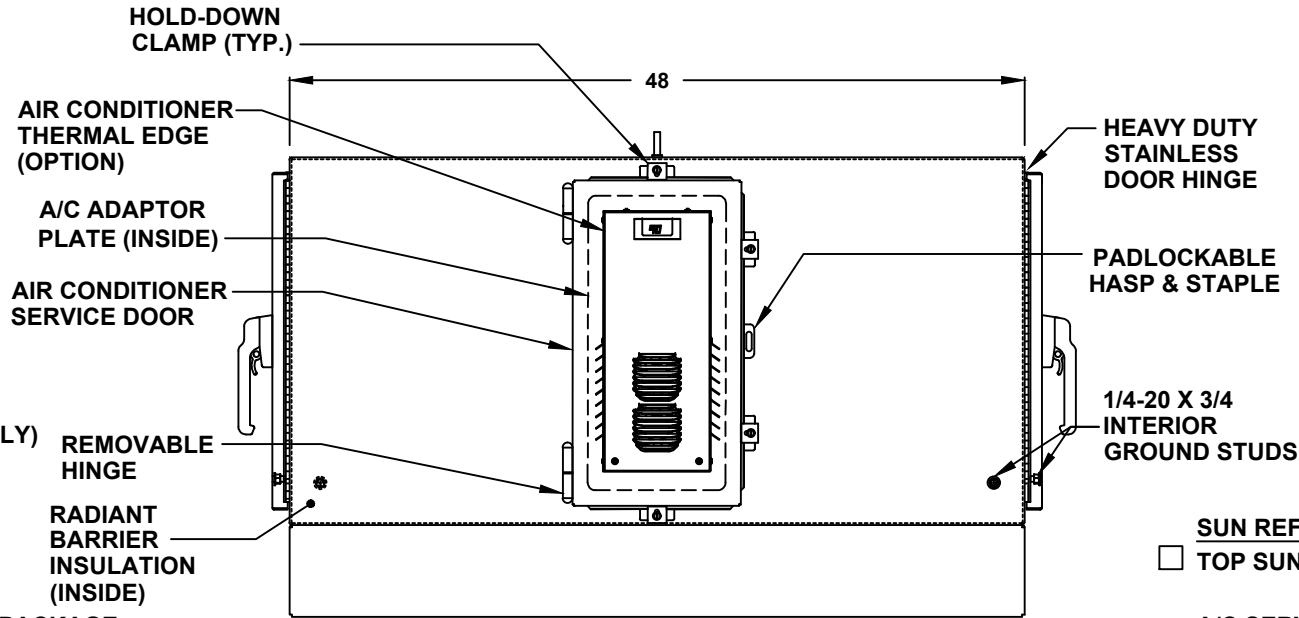
- CORROSION PROTECTION PACKAGE
- DRY CONTACT (OUTPUT SIGNAL)
- 2" DEEP FILTERS
- PROXIMITY SWITCH (ON/OFF)

**AIR CONDITIONER- SCADA**

- MOBUS RTU 485 (2 WIRE) REMOTE NETWORK ETHERNET CONNECTION
- MOBUS GATEWAY ADD-ON

**AIR CONDITIONER- SCADA**

- MOBUS RTU 485 (2 WIRE) REMOTE NETWORK ETHERNET CONNECTION
- MOBUS GATEWAY ADD-ON



LEFT SIDE

**THERMAL SPECIFICATIONS**

- OUTSIDE (AMBIENT) \_\_\_\_\_ °F
- INTERIOR TEMP. \_\_\_\_\_ °F
- HEAT LOAD (WATTS) \_\_\_\_\_
- SUN / SHADE \_\_\_\_\_

**ENCLOSURE INSULATION**

- 1/2 RADIANT BARRIER (STANDARD)
- 3/4 RADIANT BARRIER
- 1 RADIANT BARRIER
- NOT REQUIRED

**SUN REFLECTIVE SOLUTION**

- TOP SUNSHIELD COVER

**A/C SERVICE DOOR**

- INSTALL A/C SERVICE DOOR
- NOT REQUIRED

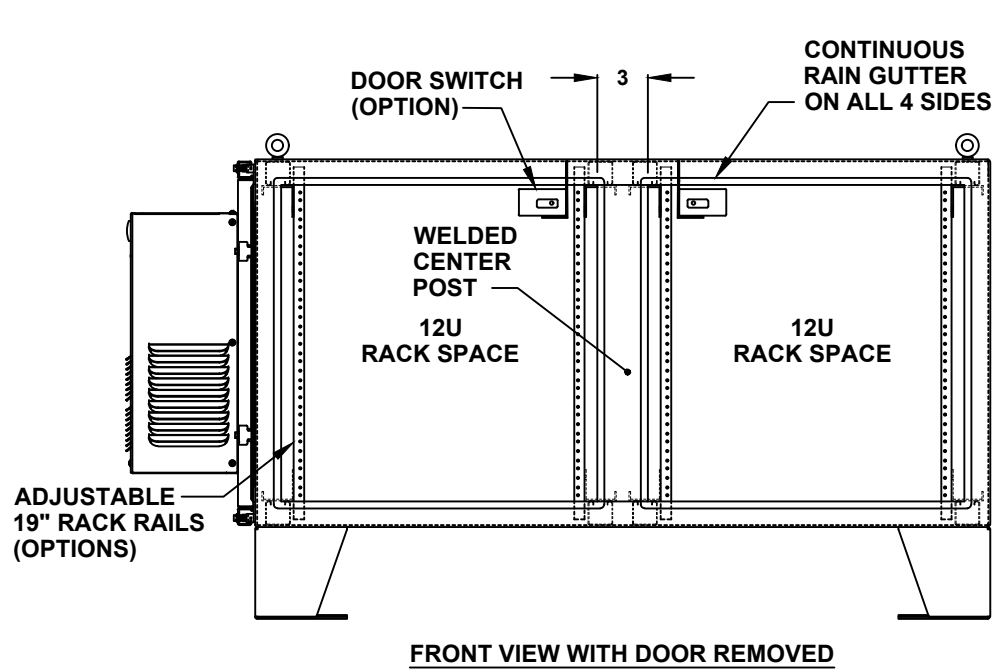
**A/C SERVICE DOOR HINGE**

- REMOVABLE HINGE
- CONTINUOUS HINGE

**A/C ADAPTOR PLATE**

- INSTALL A/C ADAPTOR PLATE
- NOT REQUIRED

**24" H x 48" W x 48" D  
4 DOOR DESIGN**



DOOR OPTIONS

- DOOR SWITCH
  - 10A (STANDARD)
  - 16A
- PRINT POCKET

CENTER POST

- WELDED (STANDARD)
- REMOVEABLE

RACK RAIL POST

- QTY 4 POST
- QTY 8 POST (REARDOOR REQUIRED)

RACK RAIL MATERIAL

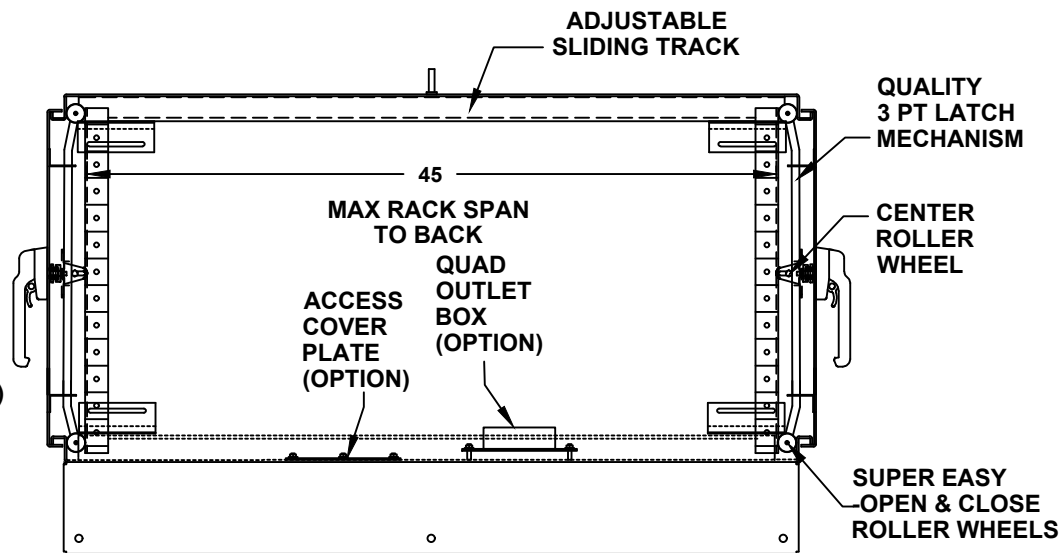
- POWDER COATED STEEL (STANDARD)
- 304 STAINLESS STEEL (HEAVY DUTY)

RACK RAIL MOUNTING HOLES

- #10-32 TAP (STANDARD)
- #1/4-20 TAP
- 3/8 SQUARE

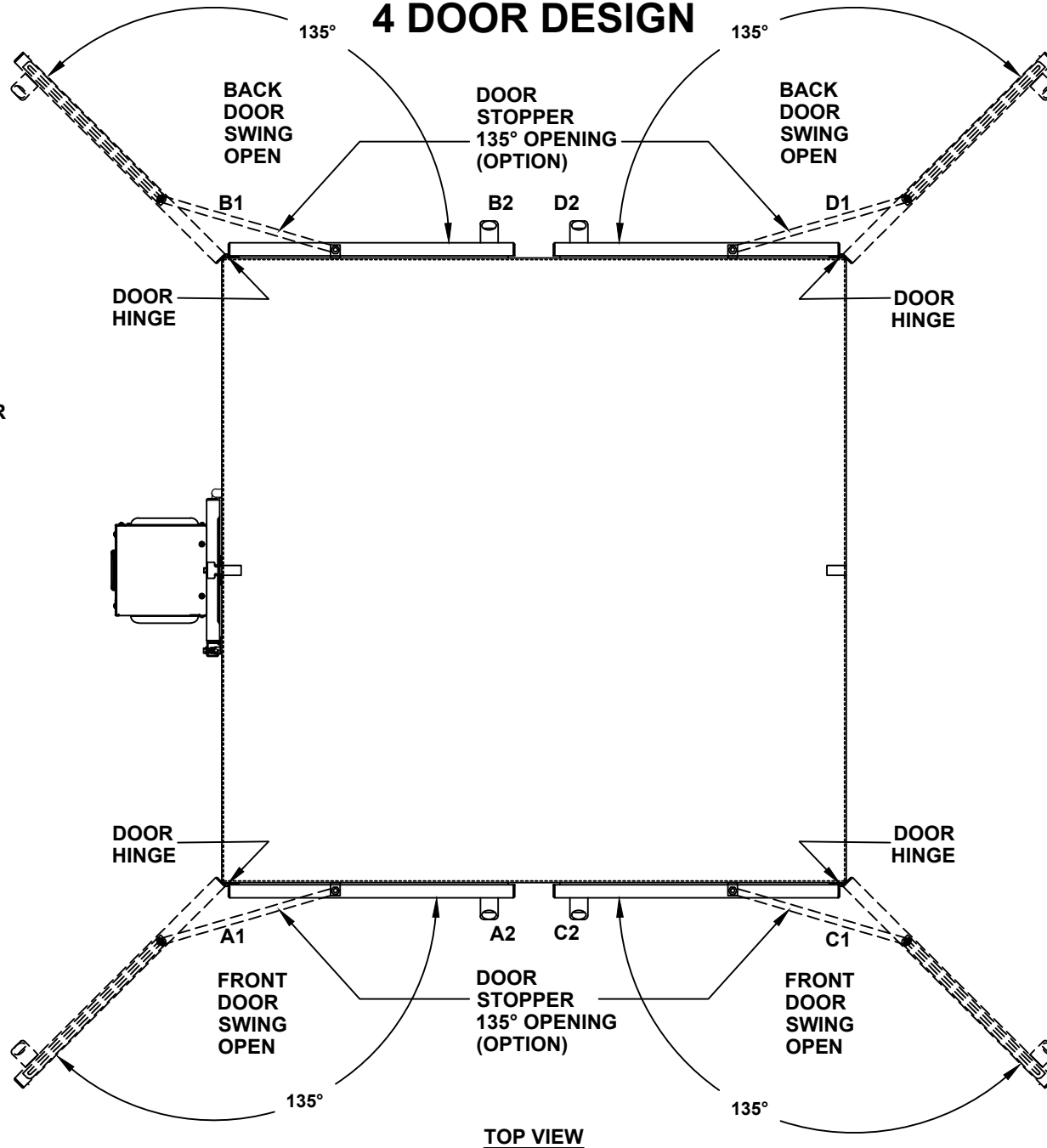
24" H x 48" W x 48" D  
4 DOOR DESIGN

- RACK SHELVES
- STANDARD RACK SHELVES
- SLIDING RACK SHELVES
- RACK SHELF SUPPORT
  
- RACK DRAWERS
- RACK DRAWERS
- LAPTOP DRAWERS
  
- RACK RAIL HARDWARE
- BLACK CLIP NUTS, #10-32, (100 EA.)
- #10/32 HIGH POINT SCREWS (100 EA.)
- M6 CAGE NUTS
  
- OTHER OPTIONS
- 19" RACK COPPER BUSBAR
- VERTICAL RACK PDU



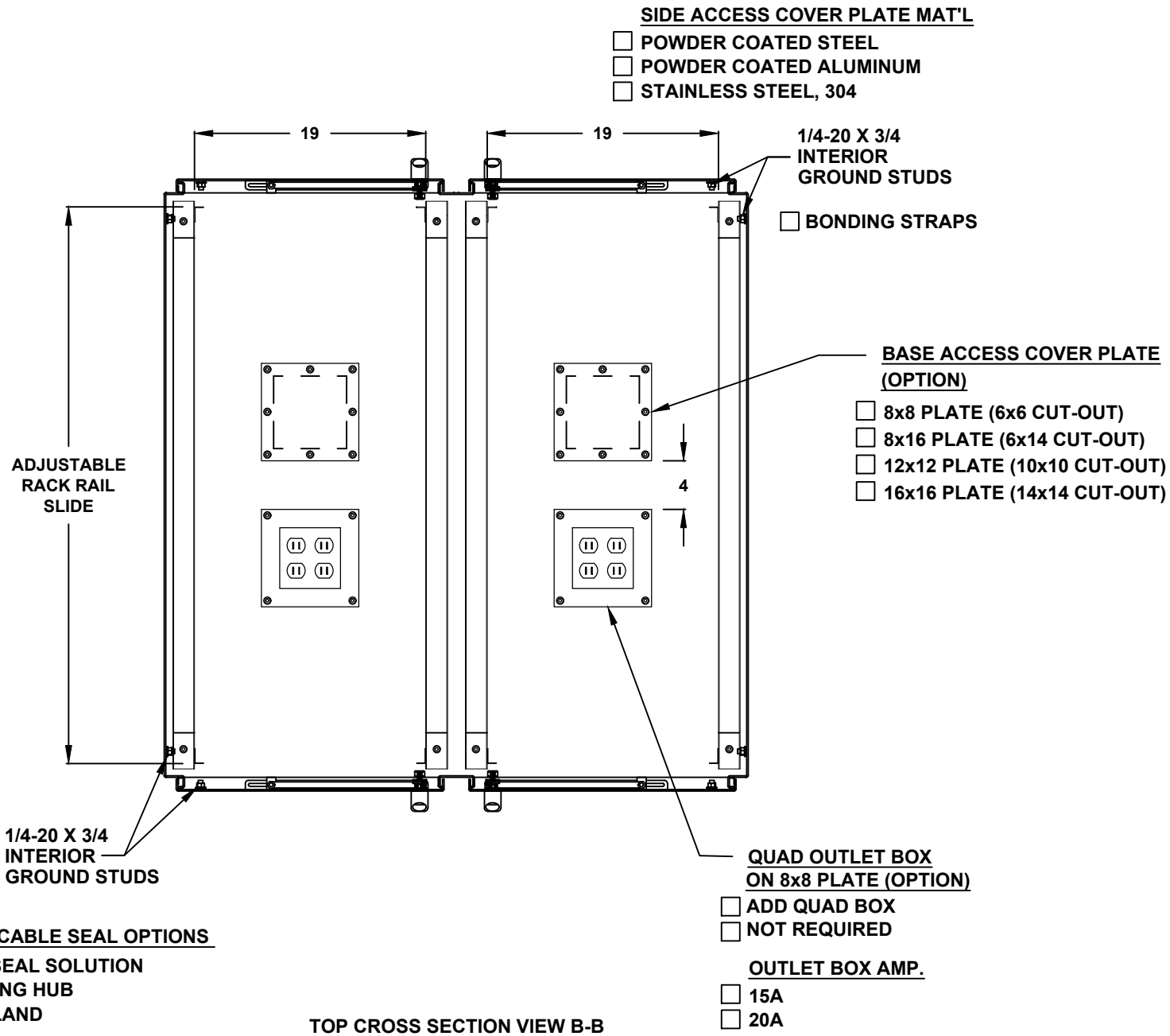
CROSS SECTION VIEW A-A

# 24" H x 48" W x 48" D 4 DOOR DESIGN

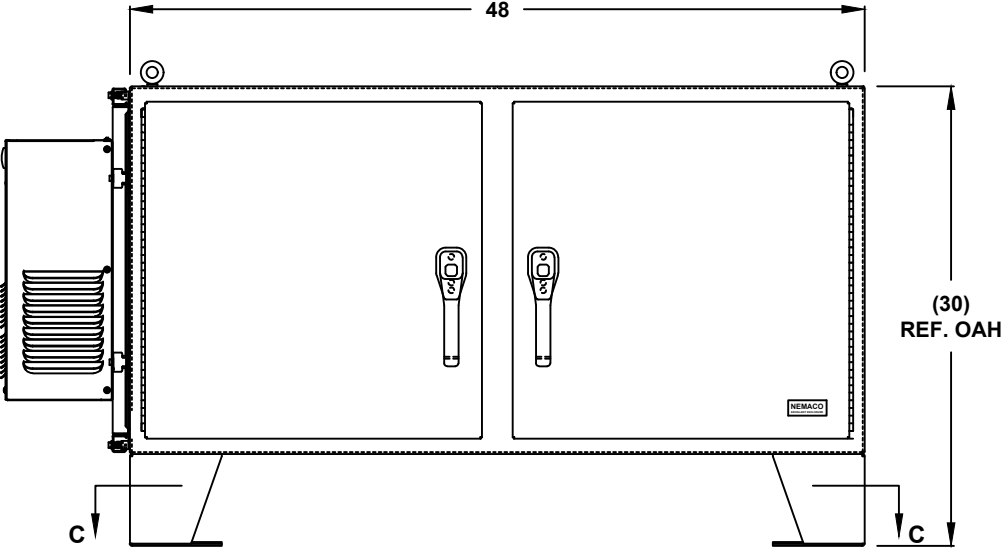


TOP VIEW

# 24" H x 48" W x 48" D 4 DOOR DESIGN



24" H x 48" W x 48" D  
4 DOOR DESIGN



FRONT VIEW

# 24" H x 48" W x 48" D 4 DOOR DESIGN

