

**NEMA 4/12 - ENCLOSURE
19" RACKMOUNT - 22U HEIGHT
FREE STANDING**

**42" H x 48" W x 42" D
2 DOOR DESIGN**



FILE NUMBER: E507642

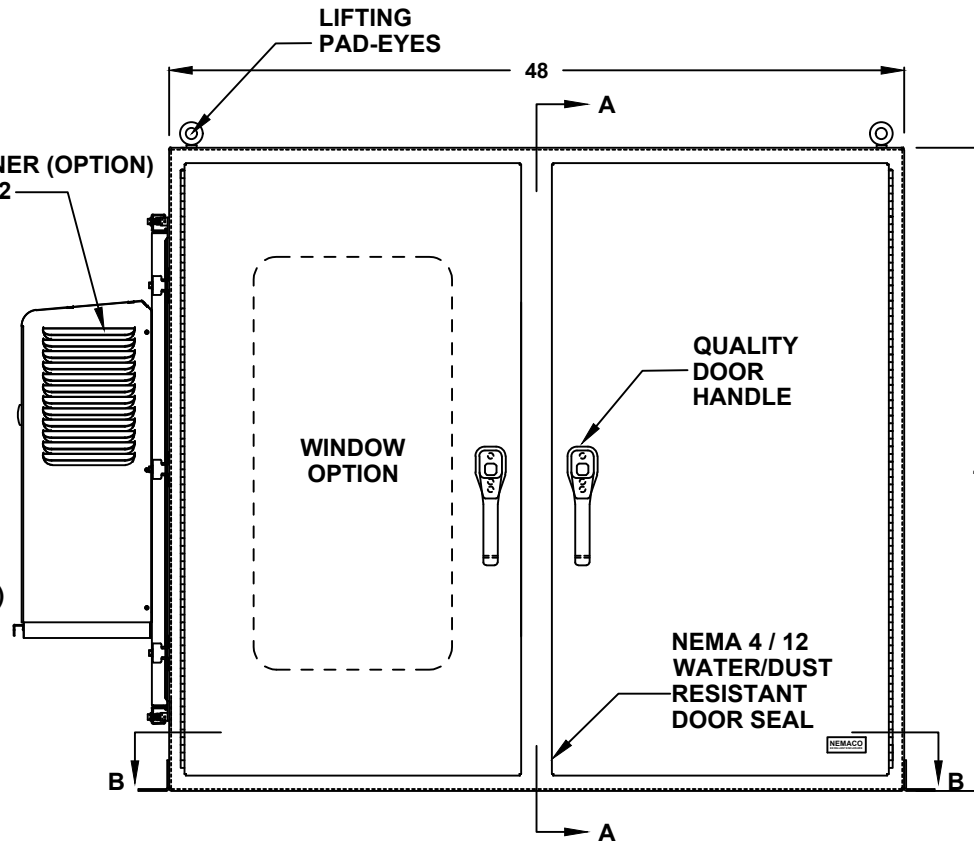
- ENCLOSURE MATERIAL**
- POWDER COATED STEEL (CS)
 - POWDER COATED ALUMINUM (AL)

- POWDERCOAT COLOR**
- WHITE
 - LIGHT GRAY ANSI 70
 - DARK GRAY ANSI 61 (STANDARD)
 - BLACK
 - CUSTOM _____
- AIR CONDITIONER (OPTION)**
REF. TO PAGE 2

- ENCLOSURE CONSTRUCTION**
- 14 GA THK.
 - 12 GA THK.

- ENCLOSURE DOOR HINGE**
- CONTINUOUS PIANO HINGE (STANDARD)
 - REMOVABLE LIFT OFF HINGE

- BASE EXTENSION**
- 4" BASE EXTENSION
 - 6" BASE EXTENSION
 - 8" BASE EXTENSION
 - 10" BASE EXTENSION
 - 12" BASE EXTENSION
 - NOT REQUIRED



FRONT VIEW

- LIFTING EYES**
- WELDED PADEYES (STANDARD)
 - REMOVABLE PADEYES

- *WINDOW OPTIONS**
- TINTED WINDOW
 - TEMPERED GLASS
 - NOT REQUIRED

- DOOR HANDLES**
- PADLOCK PROVISION (STANDARD)
 - KEYLOCK (OPTION)

ALL DIMENSIONS ARE ESTIMATED IN INCHES AND MAY VARY DUE TO SELECTED OPTIONS.

COMPANY NAME

APPROVED (PRINTED NAME)

SIGNATURE

DATE

*NOTE: UL & NON-UL OPTIONS AVAILABLE

**42" H x 48" W x 42" D
2 DOOR DESIGN**

AIR CONDITIONER

- 1000 BTU
- 1500 BTU
- 2000 BTU
- 3000 BTU
- 4000 BTU
- 5000 BTU
- 6000 BTU
- 8000 BTU
- SPECIFY _____
- NOT REQUIRED

A/C VOLTAGE/ HZ

- 115 VOLTS
- 230 VOLTS
- 480 VOLTS
- 60 HZ
- 50 HZ
- 48 VDC (CS011 A/C ONLY)

A/C INTEGRATED HEATER

- 350 WATTS (CS011 A/C ONLY)
- 500 WATTS
- 1000 WATTS
- EXTERNAL HEATER

ADDITIONAL A/C OPTIONS

- CORROSION PROTECTION PACKAGE
- DRY CONTACT (OUTPUT SIGNAL)
- 2" DEEP FILTERS
- PROXIMITY SWITCH (ON/OFF)

AIR CONDITIONER- SCADA

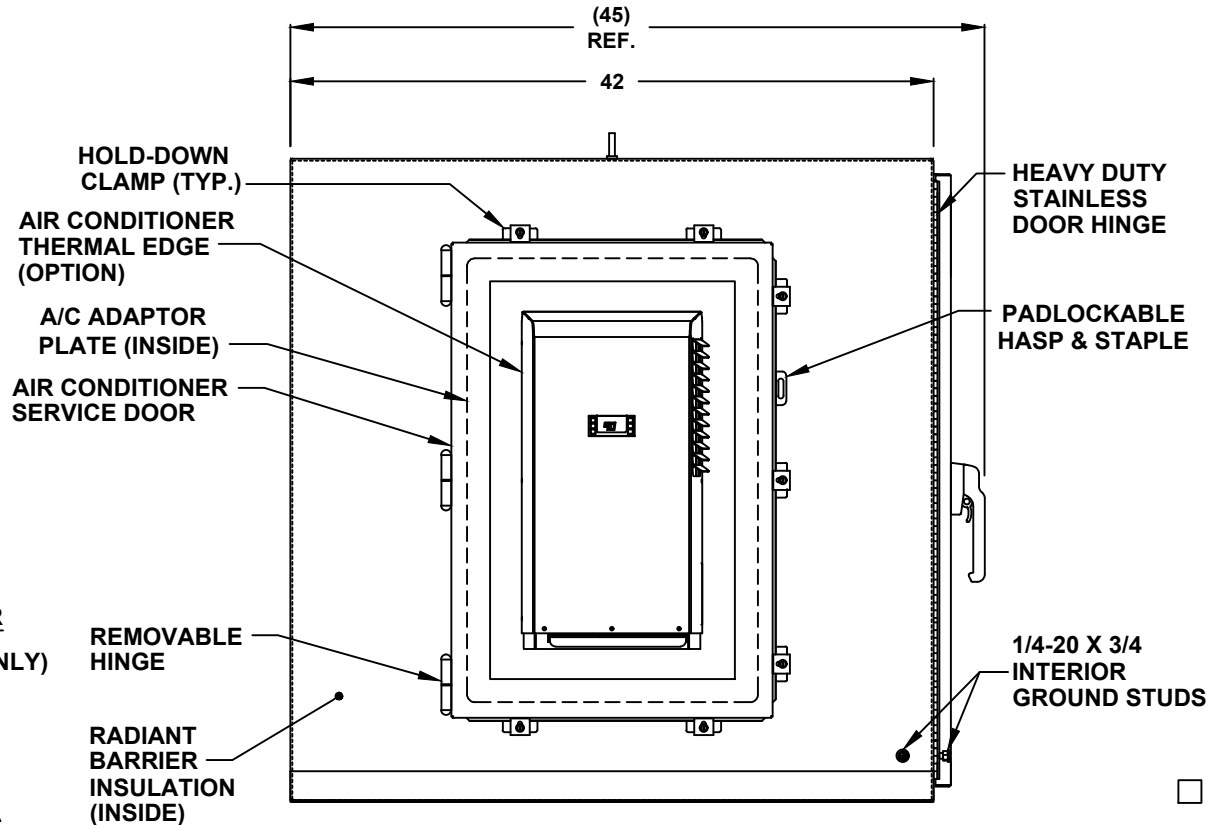
- MOBUS RTU 485 (2 WIRE) REMOTE NETWORK ETHERNET CONNECTION
- MOBUS GATEWAY ADD-ON

THERMAL SPECIFICATIONS

- OUTSIDE (AMBIENT) _____ °F
- INTERIOR TEMP. _____ °F
- HEAT LOAD (WATTS) _____
- SUN / SHADE _____

ENCLOSURE INSULATION

- 1/2 RADIANT BARRIER (STANDARD)
- 3/4 RADIANT BARRIER
- 1 RADIANT BARRIER
- NOT REQUIRED



LEFT SIDE

SUN REFLECTIVE SOLUTION

- TOP SUNSHIELD COVER

A/C SERVICE DOOR

- INSTALL A/C SERVICE DOOR
- NOT REQUIRED

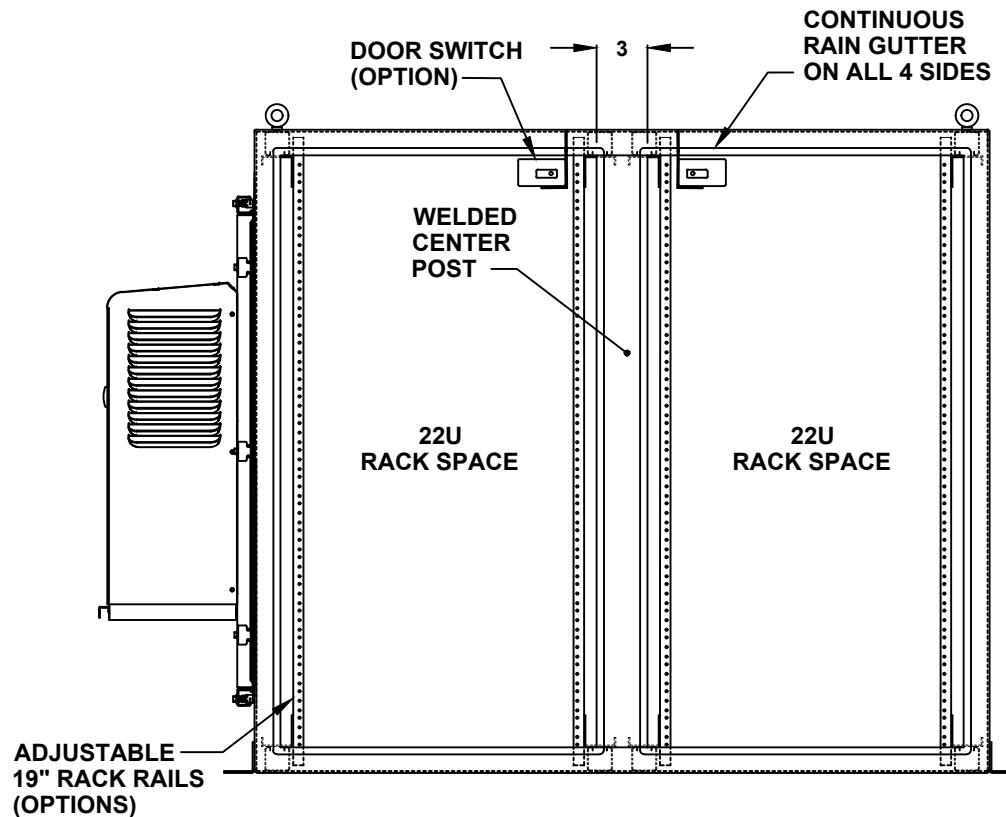
A/C SERVICE DOOR HINGE

- REMOVABLE HINGE
- CONTINUOUS HINGE

A/C ADAPTOR PLATE

- INSTALL A/C ADAPTOR PLATE
- NOT REQUIRED

**42" H x 48" W x 42" D
2 DOOR DESIGN**



- DOOR OPTIONS**
- DOOR SWITCH
 - 10A (STANDARD)
 - 16A
 - PRINT POCKET
- CENTER POST**
- WELDED (STANDARD)
 - REMOVEABLE
- RACK RAIL POST**
- QTY 4 POST
 - QTY 8 POST (REARDOOR REQUIRED)
- RACK RAIL MATERIAL**
- POWDER COATED STEEL (STANDARD)
 - 304 STAINLESS STEEL (HEAVY DUTY)
- RACK RAIL MOUNTING HOLES**
- #10-32 TAP (STANDARD)
 - #1/4-20 TAP
 - 3/8 SQUARE

FRONT VIEW WITH DOOR REMOVED

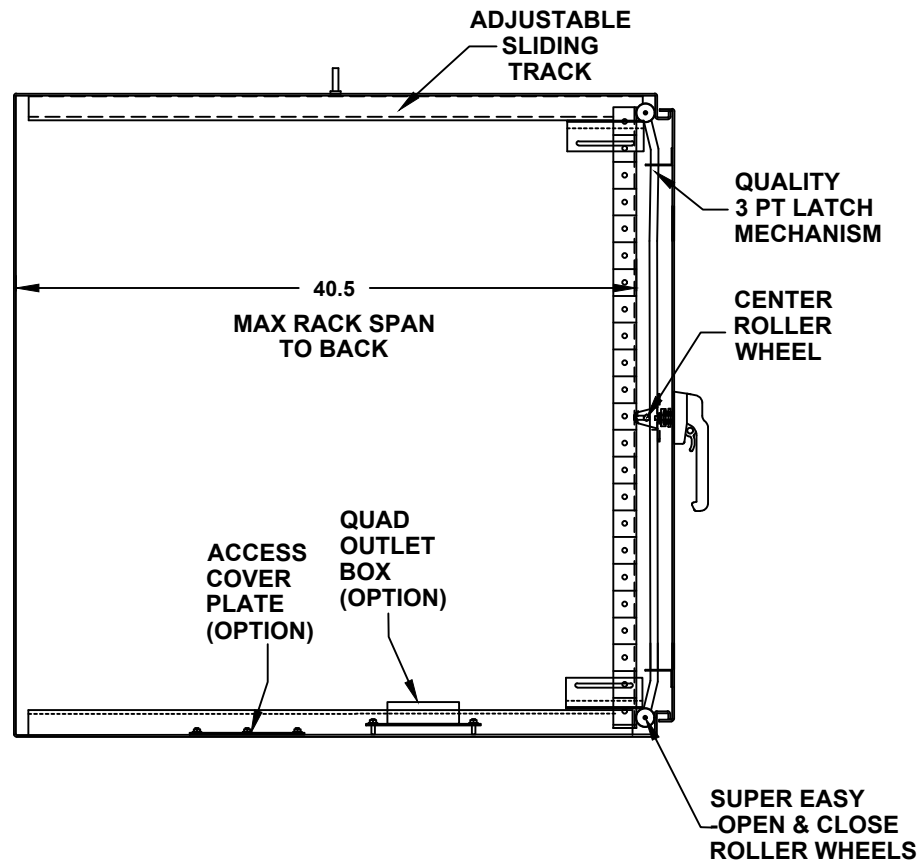
42" H x 48" W x 42" D
2 DOOR DESIGN

- RACK SHELVES**
- STANDARD RACK SHELVES
 - SLIDING RACK SHELVES
 - RACK SHELF SUPPORT

- RACK DRAWERS**
- RACK DRAWERS
 - LAPTOP DRAWERS

- RACK RAIL HARDWARE**
- BLACK CLIP NUTS, #10-32, (100 EA.)
 - #10/32 HIGH POINT SCREWS (100 EA.)
 - M6 CAGE NUTS

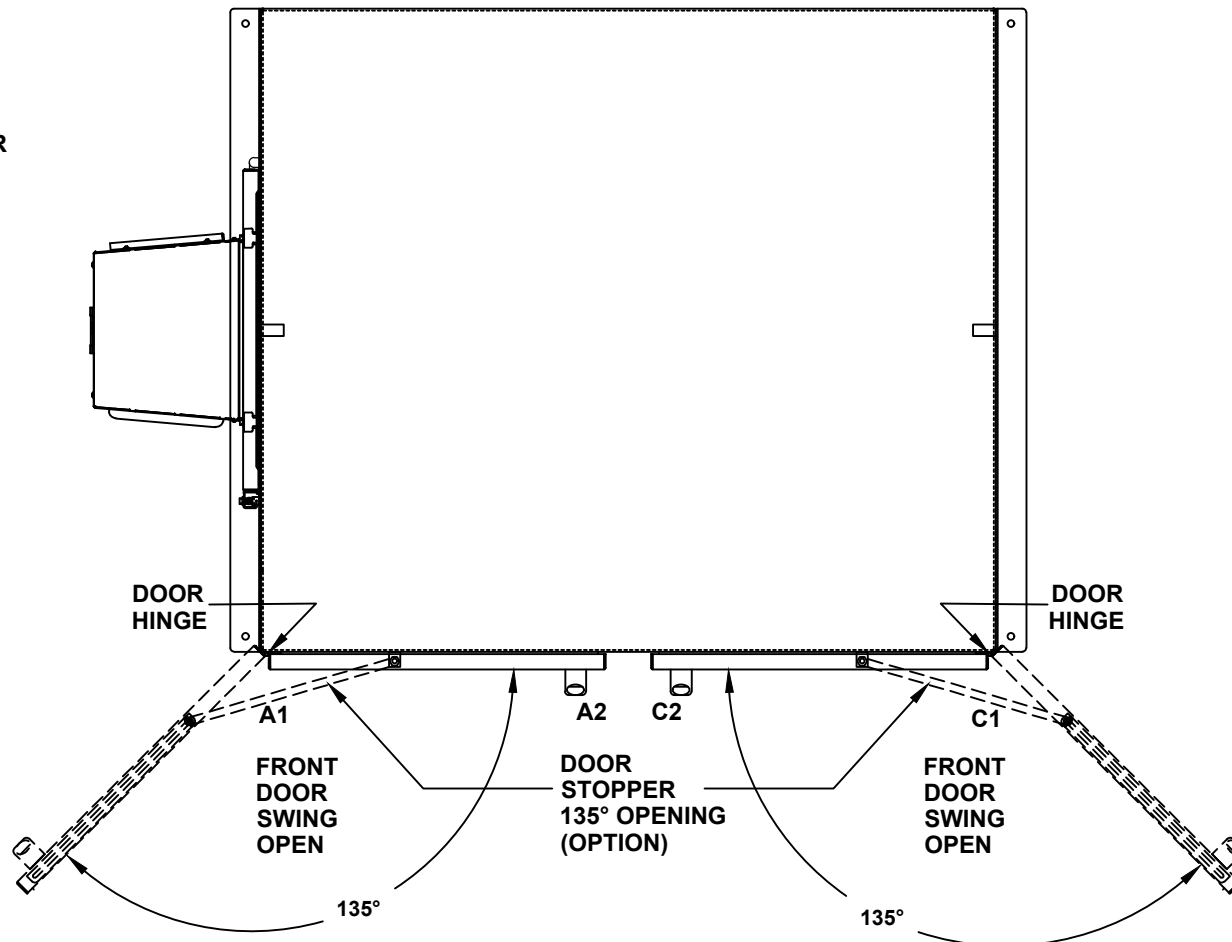
- OTHER OPTIONS**
- 19" RACK COPPER BUSBAR
 - VERTICAL RACK PDU



CROSS SECTION VIEW A-A

42" H x 48" W x 42" D 2 DOOR DESIGN

- DOOR STOPPER**
- INSTALL DOOR STOPPER
 - NOT REQUIRED

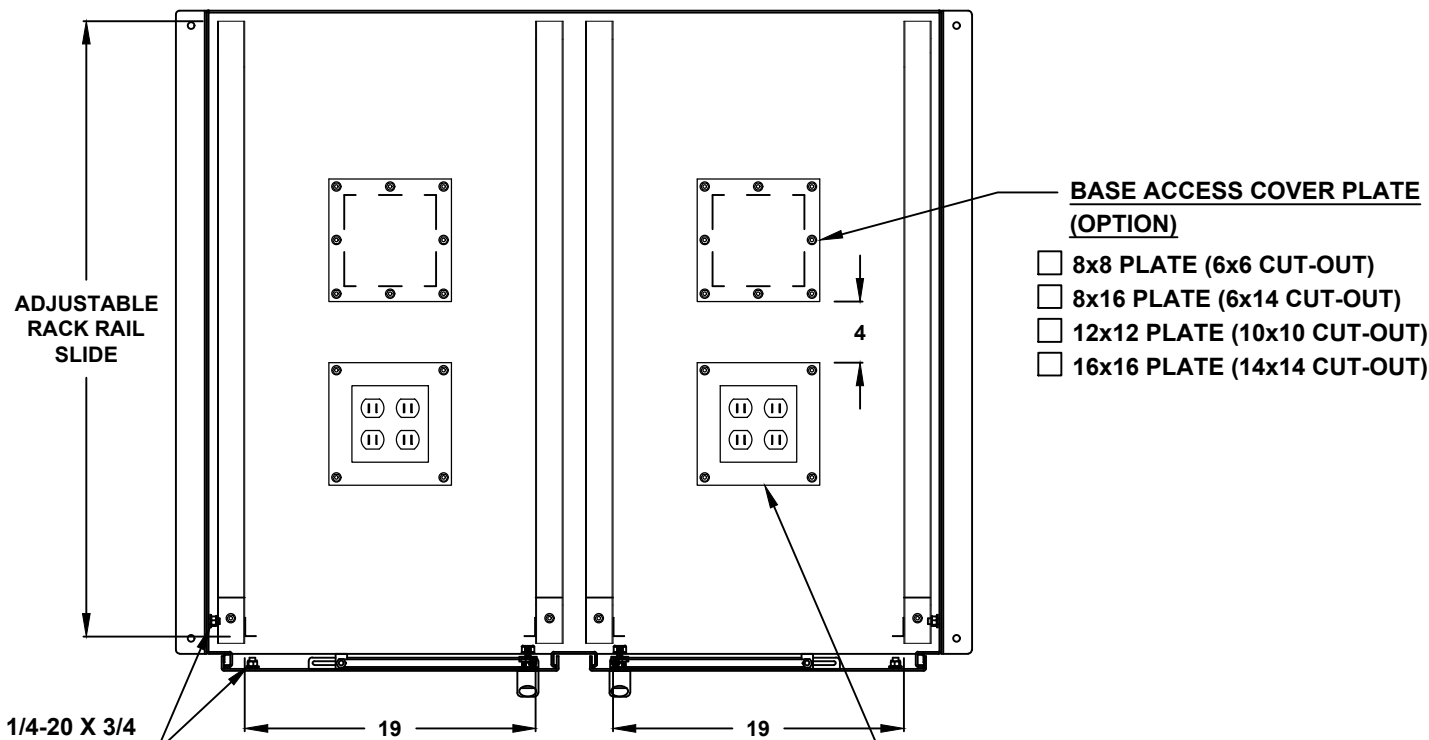


TOP VIEW

42" H x 48" W x 42" D 2 DOOR DESIGN

SIDE ACCESS COVER PLATE MAT'L

- POWDER COATED STEEL
- POWDER COATED ALUMINUM
- STAINLESS STEEL, 304



BASE ACCESS COVER PLATE (OPTION)

- 8x8 PLATE (6x6 CUT-OUT)
- 8x16 PLATE (6x14 CUT-OUT)
- 12x12 PLATE (10x10 CUT-OUT)
- 16x16 PLATE (14x14 CUT-OUT)

QUAD OUTLET BOX ON 8x8 PLATE (OPTION)

- ADD QUAD BOX
- NOT REQUIRED

OUTLET BOX AMP.

- 15A
- 20A

1/4-20 X 3/4
INTERIOR
GROUND STUDS

BONDING STRAPS

CONDUIT/CABLE SEAL OPTIONS

- ROXTEC SEAL SOLUTION
- PIPE FITTING HUB
- CABLE GLAND

TOP CROSS SECTION VIEW B-B

42" H x 48" W x 42" D 2 DOOR DESIGN

