

**NEMA 4/12 - ENCLOSURE  
19" RACKMOUNT - 15U HEIGHT  
FLOOR MOUNT**

**30" H x 48" W x 42" D  
2 DOOR DESIGN**



FILE NUMBER: E507642

**AIR CONDITIONER (OPTION)**  
REF. TO PAGE 2

**ENCLOSURE MATERIAL**

POWDER COATED STEEL (CS)

POWDER COATED ALUMINUM (AL)

**POWDERCOAT COLOR**

WHITE

LIGHT GRAY ANSI 70

DARK GRAY ANSI 61 (STANDARD)

BLACK

CUSTOM \_\_\_\_\_

**ENCLOSURE CONSTRUCTION**

14 GA THK.

12 GA THK.

**ENCLOSURE DOOR HINGE**

CONTINUOUS PIANO HINGE (STANDARD)

REMOVABLE LIFT OFF HINGE

**FRONT VIEW**

**LIFTING EYES**

WELDED PADEYES (STANDARD)

REMOVABLE PADEYES

**\*WINDOW OPTIONS**

TINTED WINDOW

TEMPERED GLASS

NOT REQUIRED

**DOOR HANDLES**

PADLOCK PROVISION (STANDARD)

KEYLOCK (OPTION)

**FLOOR KIT**

6" HT. (STANDARD)

8" HT.

10" HT.

12" HT.

CUSTOM \_\_\_\_\_

ALL DIMENSIONS ARE ESTIMATED IN INCHES AND MAY VARY DUE TO SELECTED OPTIONS.

\_\_\_\_\_  
COMPANY NAME

\_\_\_\_\_  
APPROVED (PRINTED NAME)

\_\_\_\_\_  
SIGNATURE

\_\_\_\_\_  
DATE

\*NOTE: UL & NON-UL OPTIONS AVAILABLE

# 30" H x 48" W x 42" D 2 DOOR DESIGN

**AIR CONDITIONER**

- 1000 BTU (NE/CS)
- 1500 BTU (NE)
- 2000 BTU (CS)
- SPECIFY \_\_\_\_\_
- NOT REQUIRED

**A/C VOLTAGE/ HZ**

- 115 VOLTS
- 230 VOLTS
- 480 VOLTS
- 60 HZ
- 50 HZ
- 48 VDC (CS011 A/C ONLY)

**A/C INTEGRATED HEATER**

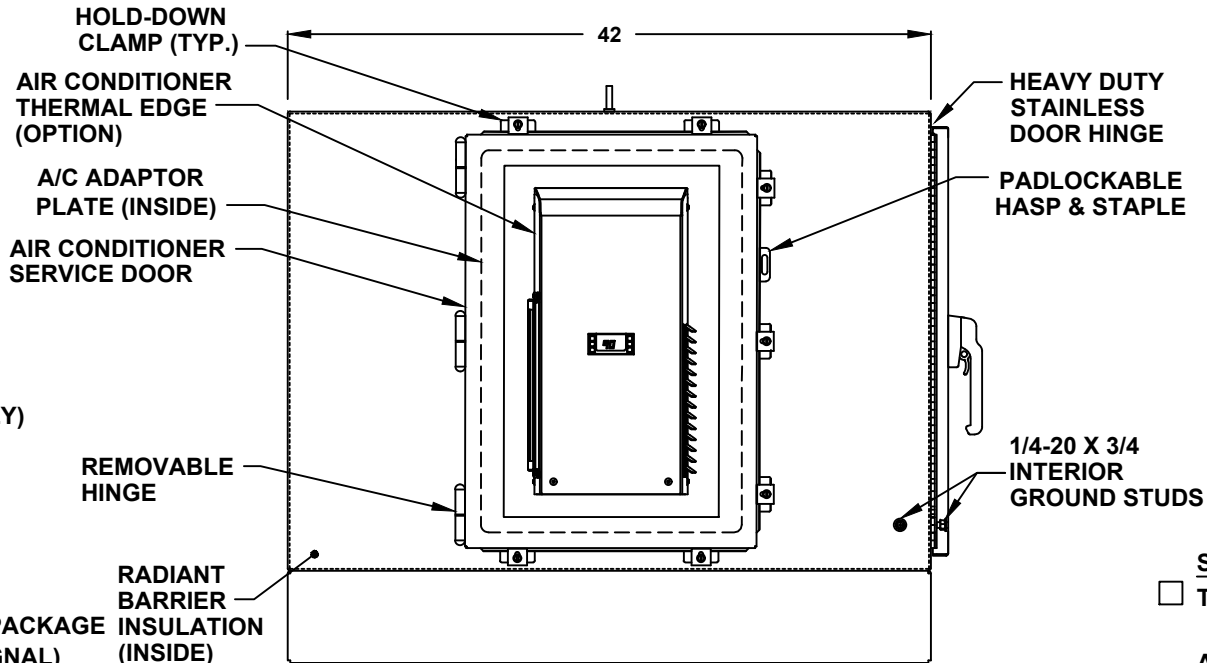
- 350 WATTS (CS011 A/C ONLY)
- 500 WATTS
- 1000 WATTS
- EXTERNAL HEATER

**ADDITIONAL A/C OPTIONS**

- CORROSION PROTECTION PACKAGE
- DRY CONTACT (OUTPUT SIGNAL)
- 2" DEEP FILTERS
- PROXIMITY SWITCH (ON/OFF)

**AIR CONDITIONER- SCADA**

- MOBUS RTU 485 (2 WIRE)  
REMOTE NETWORK  
ETHERNET CONNECTION
- MOBUS GATEWAY  
ADD-ON



LEFT SIDE

**THERMAL SPECIFICATIONS**

- OUTSIDE (AMBIENT) \_\_\_\_\_ °F
- INTERIOR TEMP. \_\_\_\_\_ °F
- HEAT LOAD (WATTS) \_\_\_\_\_
- SUN / SHADE \_\_\_\_\_

**ENCLOSURE INSULATION**

- 1/2 RADIANT BARRIER (STANDARD)
- 3/4 RADIANT BARRIER
- 1 RADIANT BARRIER
- NOT REQUIRED

**SUN REFLECTIVE SOLUTION**

- TOP SUNSHIELD COVER

**A/C SERVICE DOOR**

- INSTALL A/C SERVICE DOOR
- NOT REQUIRED

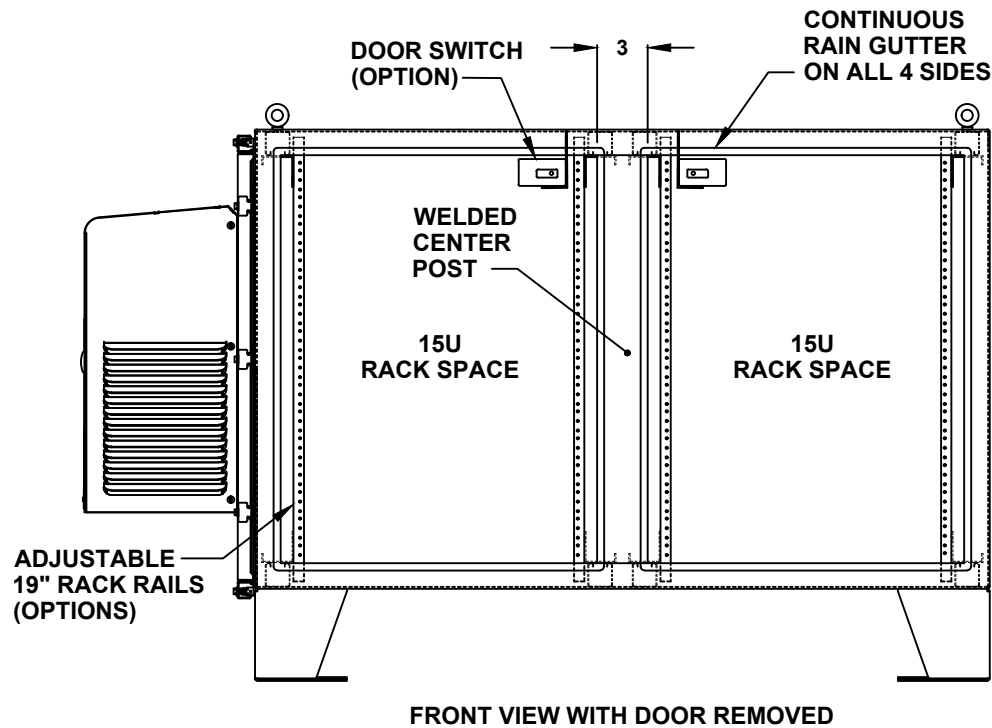
**A/C SERVICE DOOR HINGE**

- REMOVABLE HINGE
- CONTINUOUS HINGE

**A/C ADAPTOR PLATE**

- INSTALL A/C ADAPTOR PLATE
- NOT REQUIRED

**30" H x 48" W x 42" D**  
**2 DOOR DESIGN**



DOOR OPTIONS

- DOOR SWITCH
  - 10A (STANDARD)
  - 16A
- PRINT POCKET

CENTER POST

- WELDED (STANDARD)
- REMOVEABLE

RACK RAIL POST

- QTY 4 POST
- QTY 8 POST (REARDOOR REQUIRED)

RACK RAIL MATERIAL

- POWDER COATED STEEL (STANDARD)
- 304 STAINLESS STEEL (HEAVY DUTY)

RACK RAIL MOUNTING HOLES

- #10-32 TAP (STANDARD)
- #1/4-20 TAP
- 3/8 SQUARE

30" H x 48" W x 42" D  
2 DOOR DESIGN

RACK SHELVES

- STANDARD RACK SHELVES
- SLIDING RACK SHELVES
- RACK SHELF SUPPORT

RACK DRAWERS

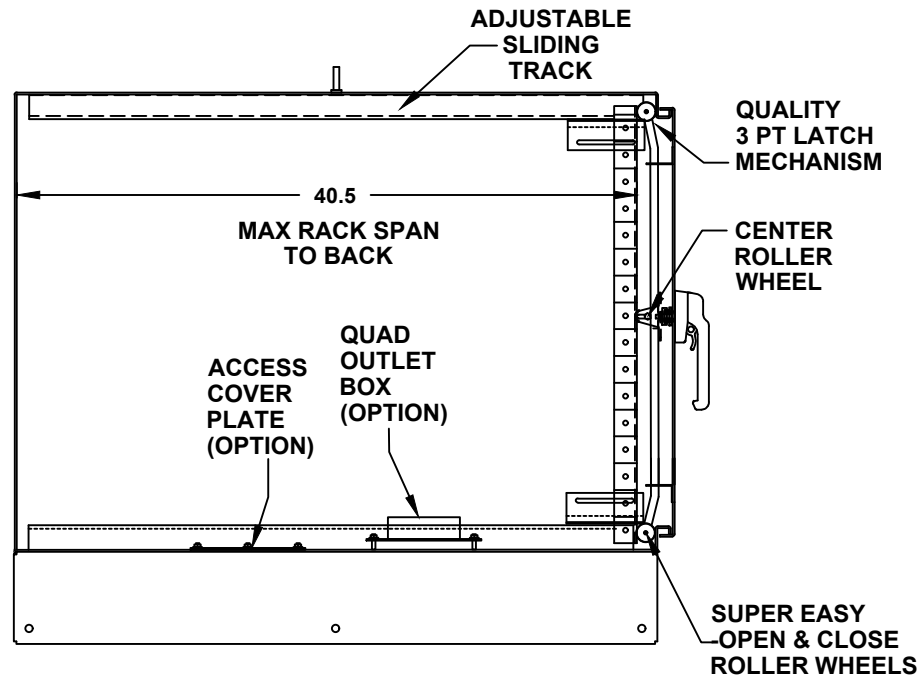
- RACK DRAWERS
- LAPTOP DRAWERS

RACK RAIL HARDWARE

- BLACK CLIP NUTS, #10-32, (100 EA.)
- #10/32 HIGH POINT SCREWS (100 EA.)
- M6 CAGE NUTS

OTHER OPTIONS

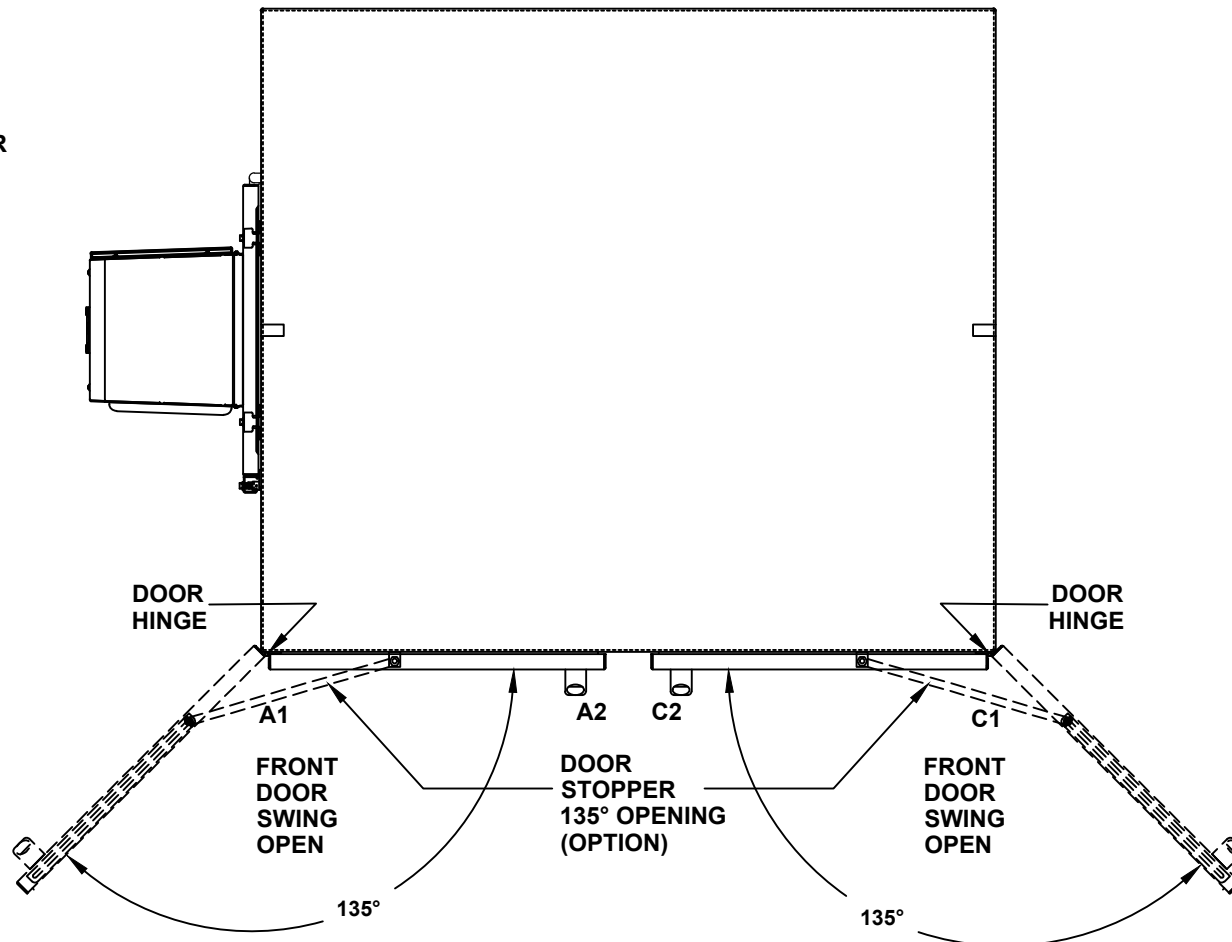
- 19" RACK COPPER BUSBAR
- VERTICAL RACK PDU



CROSS SECTION VIEW A-A

# 30" H x 48" W x 42" D 2 DOOR DESIGN

- DOOR STOPPER**
- INSTALL DOOR STOPPER
  - NOT REQUIRED

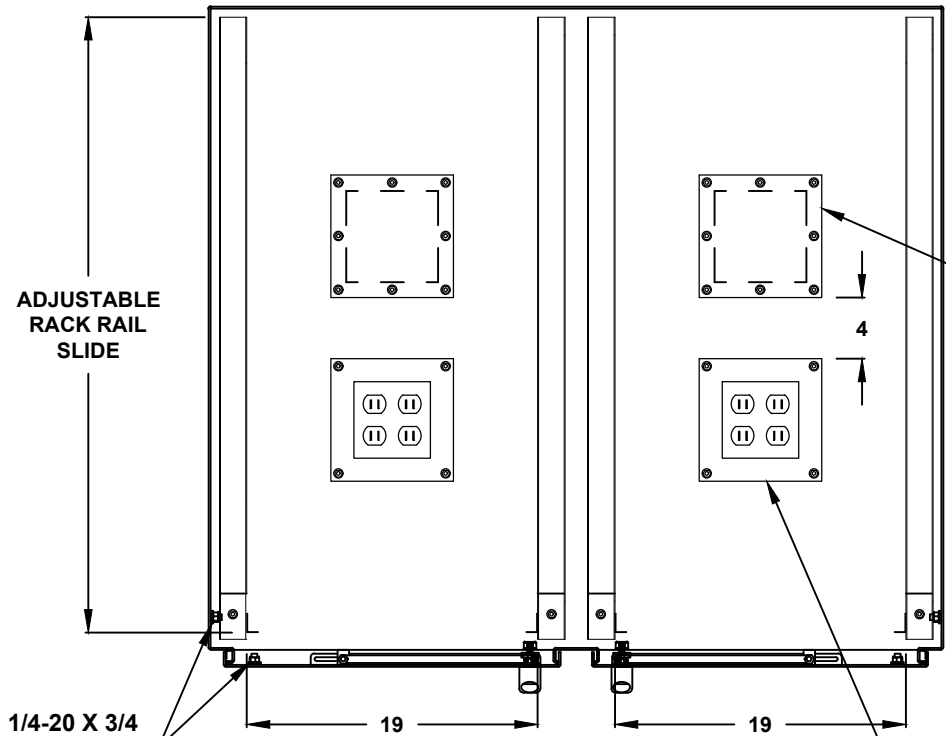


**TOP VIEW**

# 30" H x 48" W x 42" D 2 DOOR DESIGN

SIDE ACCESS COVER PLATE MAT'L

- POWDER COATED STEEL
- POWDER COATED ALUMINUM
- STAINLESS STEEL, 304



BASE ACCESS COVER PLATE (OPTION)

- 8x8 PLATE (6x6 CUT-OUT)
- 8x16 PLATE (6x14 CUT-OUT)
- 12x12 PLATE (10x10 CUT-OUT)
- 16x16 PLATE (14x14 CUT-OUT)

QUAD OUTLET BOX ON 8x8 PLATE (OPTION)

- ADD QUAD BOX
- NOT REQUIRED

OUTLET BOX AMP.

- 15A
- 20A

CONDUIT/CABLE SEAL OPTIONS

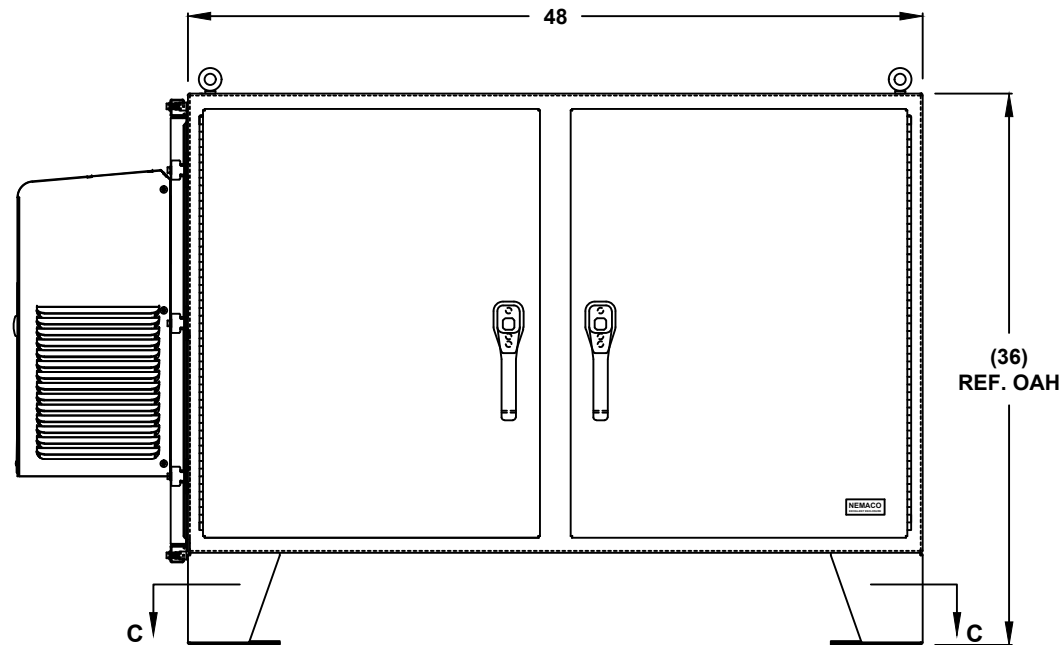
- ROXTEC SEAL SOLUTION
- PIPE FITTING HUB
- CABLE GLAND

1/4-20 X 3/4  
INTERIOR  
GROUND STUDS

BONDING STRAPS

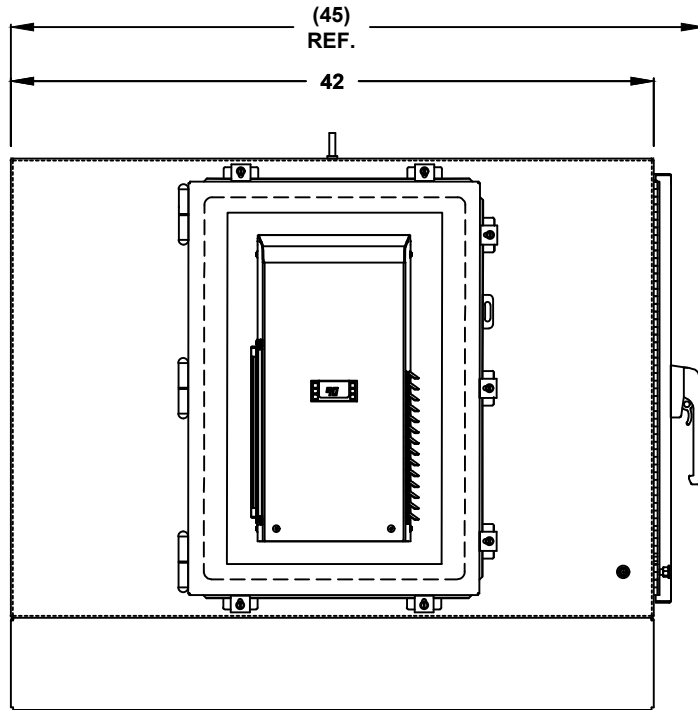
TOP CROSS SECTION VIEW B-B

**30" H x 48" W x 42" D**  
**2 DOOR DESIGN**

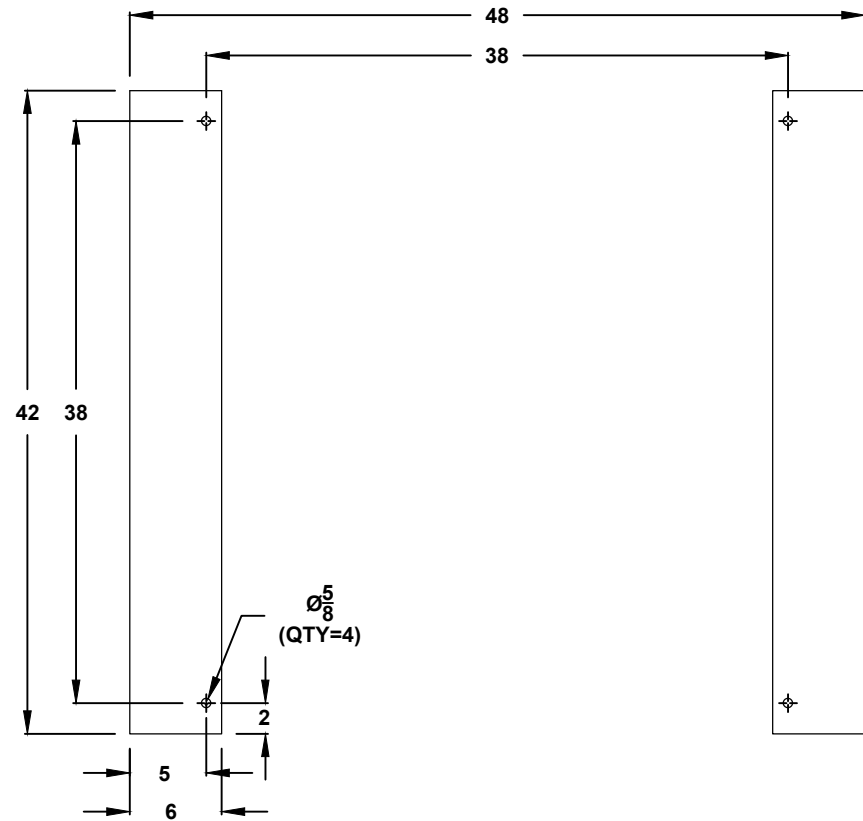


FRONT VIEW

# 30" H x 48" W x 42" D 2 DOOR DESIGN



LEFT SIDE



CROSS SECTION VIEW C-C  
MOUNTING HOLES