

**NEMA 4/12 - ENCLOSURE
19" RACKMOUNT - 15U HEIGHT
WALL MOUNT**

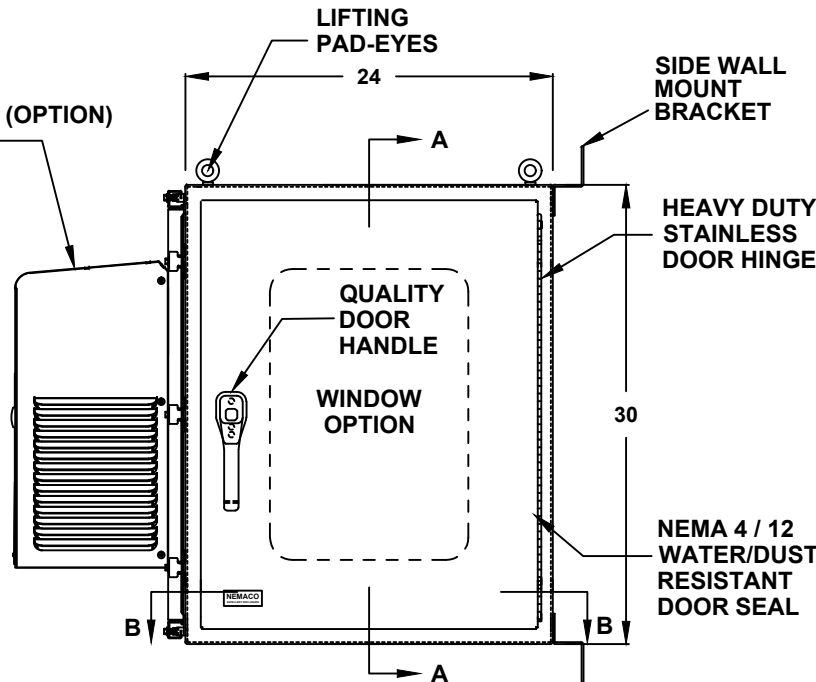
**30" H x 24" W x 30" D
2 DOOR DESIGN**



FILE NUMBER: E507642

- ENCLOSURE MATERIAL**
- POWDER COATED STEEL (CS)
 - POWDER COATED ALUMINUM (AL)
- POWDERCOAT COLOR**
- WHITE
 - LIGHT GRAY ANSI 70
 - DARK GRAY ANSI 61 (STANDARD)
 - BLACK
 - CUSTOM _____
- ENCLOSURE CONSTRUCTION**
- 14 GA THK.
 - 12 GA THK.
- ENCLOSURE DOOR HINGE**
- CONTINUOUS PIANO HINGE (STANDARD)
 - REMOVABLE LIFT OFF HINGE
- WALL BRACKET (OPTIONS)**
- WALL TABS (STANDARD)
 - HEAVY DUTY BRACKETS
 - POLE MOUNT BRACKETS

AIR CONDITIONER (OPTION)
REF. TO PAGE 2



RIGHT SIDE VIEW

- LIFTING EYES**
- WELDED PADEYES (STANDARD)
 - REMOVABLE PADEYES
- *WINDOW OPTIONS**
- TINTED WINDOW
 - TEMPERED GLASS
 - NOT REQUIRED
- DOOR HANDLES**
- PADLOCK PROVISION (STANDARD)
 - KEYLOCK (OPTION)

ALL DIMENSIONS ARE ESTIMATED IN INCHES
AND MAY VARY DUE TO SELECTED OPTIONS.

*NOTE: UL & NON-UL OPTIONS
AVAILABLE

COMPANY NAME

APPROVED (PRINTED NAME)

SIGNATURE

DATE

30" H x 24" W x 30" D 2 DOOR DESIGN

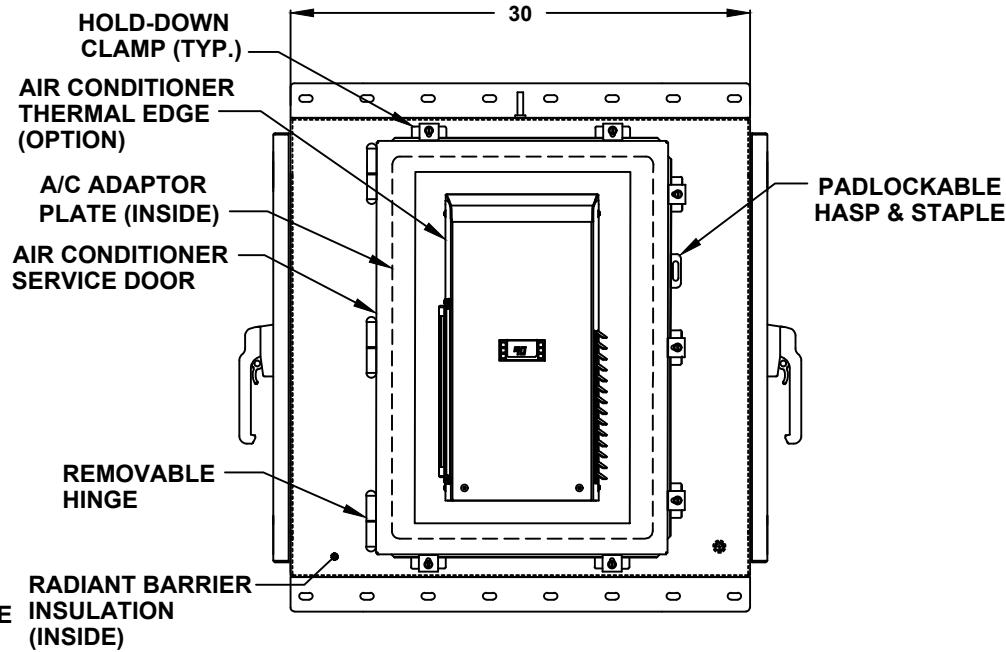
- AIR CONDITIONER**
- 1000 BTU (NE/CS)
 - 1500 BTU (NE)
 - 2000 BTU (CS)
 - SPECIFY _____
 - NOT REQUIRED

- A/C VOLTAGE/ HZ**
- 115 VOLTS
 - 230 VOLTS
 - 480 VOLTS
 - 60 HZ
 - 50 HZ
 - 48 VDC (CS011 A/C ONLY)

- A/C INTEGRATED HEATER**
- 350 WATTS (CS011 A/C ONLY)
 - 500 WATTS
 - 1000 WATTS
 - EXTERNAL HEATER

- ADDITIONAL A/C OPTIONS**
- CORROSION PROTECTION PACKAGE
 - DRY CONTACT (OUTPUT SIGNAL)
 - 2" DEEP FILTERS
 - PROXIMITY SWITCH (ON/OFF)

- AIR CONDITIONER- SCADA**
- MOBUS RTU 485 (2 WIRE)
REMOTE NETWORK
ETHERNET CONNECTION
 - MOBUS GATEWAY
ADD-ON



FRONT VIEW

- SUN REFLECTIVE SOLUTION**
- TOP SUNSHIELD COVER

- THERMAL SPECIFICATIONS**
- OUTSIDE (AMBIENT) _____ °F
 - INTERIOR TEMP. _____ °F
 - HEAT LOAD (WATTS) _____
 - SUN / SHADE _____

- ENCLOSURE INSULATION**
- 1/2 RADIANT BARRIER (STANDARD)
 - 3/4 RADIANT BARRIER
 - 1 RADIANT BARRIER
 - NOT REQUIRED

- A/C SERVICE DOOR**
- INSTALL A/C SERVICE DOOR
 - NOT REQUIRED

- A/C SERVICE DOOR HINGE**
- REMOVABLE HINGE
 - CONTINUOUS HINGE

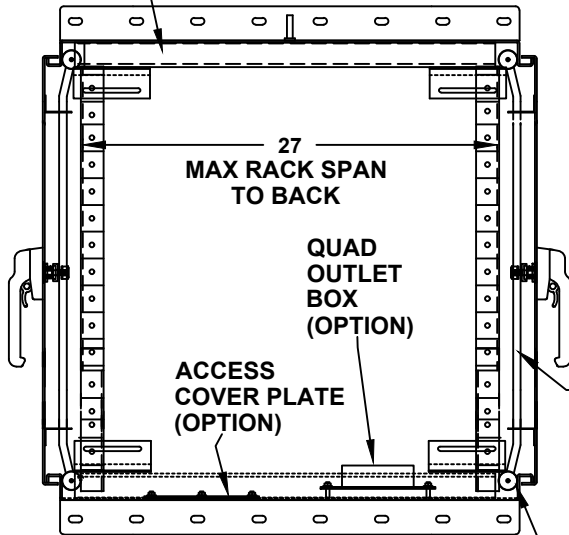
- A/C ADAPTOR PLATE**
- INSTALL A/C ADAPTOR PLATE
 - NOT REQUIRED

30" H x 24" W x 30" D 2 DOOR DESIGN

RACK RAIL OPTIONS

- BLACK CLIP NUTS, #10-32, (100 EA.)
- #10/32 HIGH POINT SCREWS (100 EA.)
- M6 CAGE NUTS

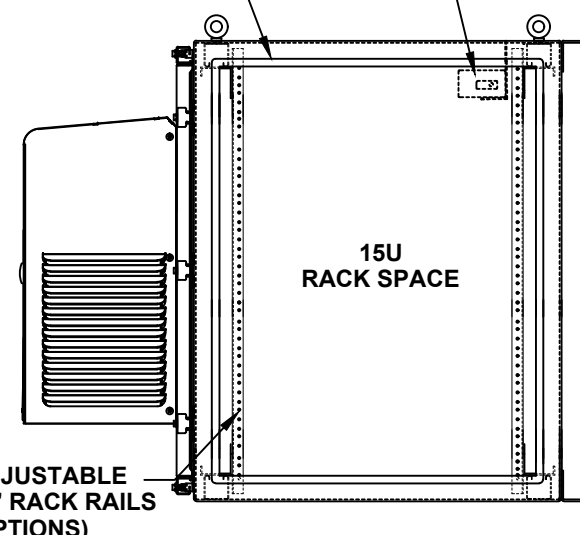
ADJUSTABLE
SLIDING
TRACK



CROSS SECTION VIEW A-A

CONTINUOUS
RAIN GUTTER
ON ALL 4 SIDES

DOOR SWITCH
(OPTION)



RIGHT SIDE VIEW WITH DOOR REMOVED

SUPER EASY
OPEN & CLOSE
ROLLER WHEELS

OTHER OPTIONS

- 19" RACK COPPER BUSBAR
- VERTICAL RACK PDU

DOOR OPTIONS

- DOOR SWITCH
- PRINT POCKET

DOOR SWITCH OPTIONS

- 10A (STANDARD)
- 16A

RACK RAIL POST

- QTY 2 POST
- QTY 4 POST (REARDOOR REQUIRED)

RACK RAIL MATERIAL

- POWDER COATED STEEL (STANDARD)
- 304 STAINLESS STEEL

RACK RAIL MOUNTING HOLES

- #10-32 TAP (STANDARD)
- #1/4-20 TAP
- 3/8 SQUARE

RACK RAIL TYPE

- STANDARD GRADE
- HEAVY DUTY RAILS (OPTION)

RACK SHELVES (OPTION)

- STANDARD RACK SHELVES
- SLIDING RACK SHELVES
- RACK SHELF SUPPORT

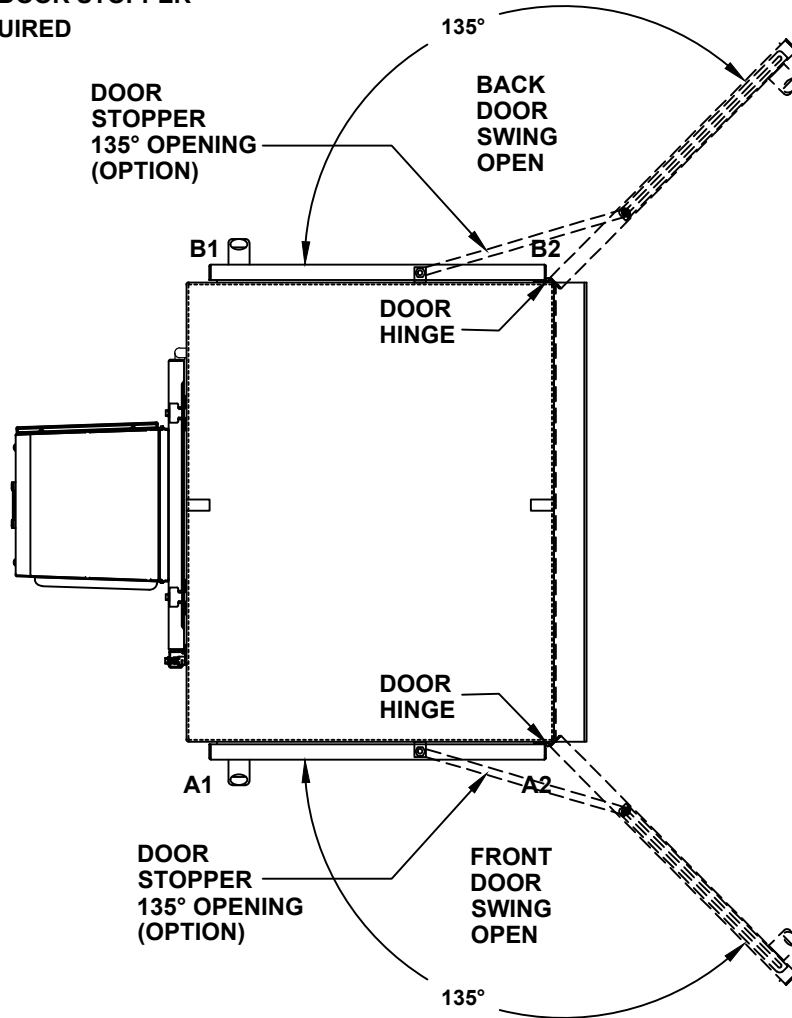
RACK DRAWERS (OPTION)

- RACK DRAWERS
- LAPTOP DRAWERS

30" H x 24" W x 30" D 2 DOOR DESIGN

DOOR STOPPER

- INSTALL DOOR STOPPER
- NOT REQUIRED



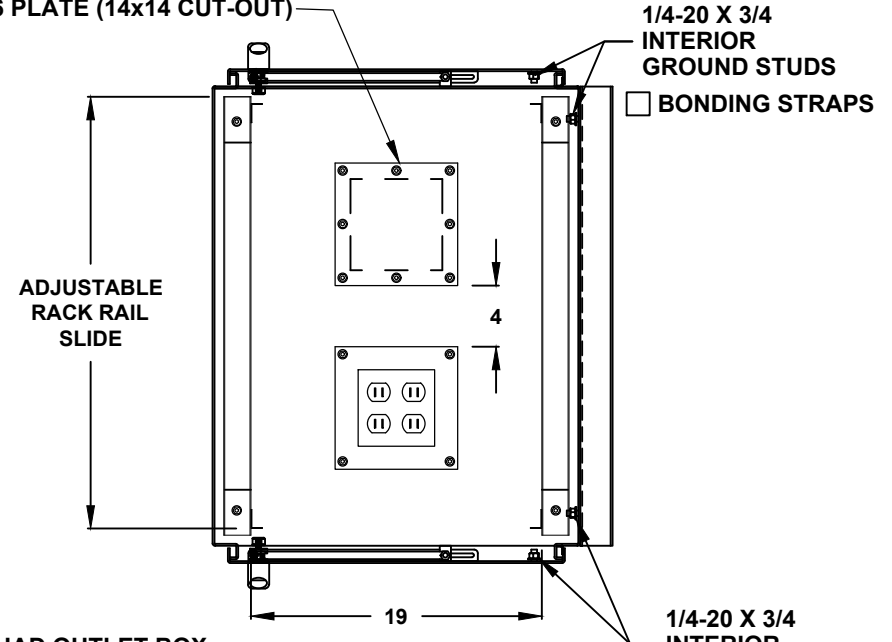
TOP VIEW

BASE ACCESS COVER PLATE (OPTION)

- 8x8 PLATE (6x6 CUT-OUT)
- 8x16 PLATE (6x14 CUT-OUT)
- 12x12 PLATE (10x10 CUT-OUT)
- 16x16 PLATE (14x14 CUT-OUT)

SIDE ACCESS COVER PLATE MAT'L

- POWDER COATED STEEL
- POWDER COATED ALUMINUM
- STAINLESS STEEL, 304



TOP CROSS SECTION VIEW B-B

QUAD OUTLET BOX ON 8x8 PLATE (OPTION)

- ADD QUAD BOX
- NOT REQUIRED

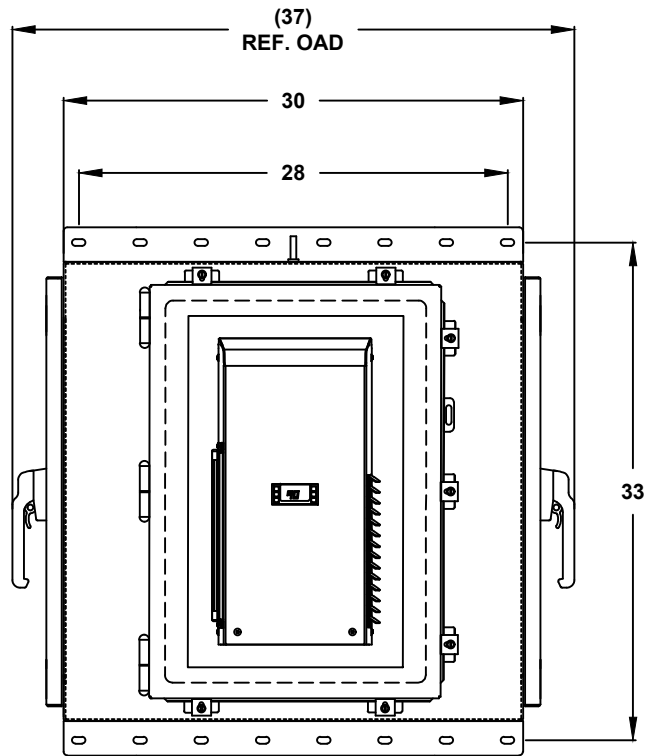
OUTLET BOX AMP.

- 15A
- 20A

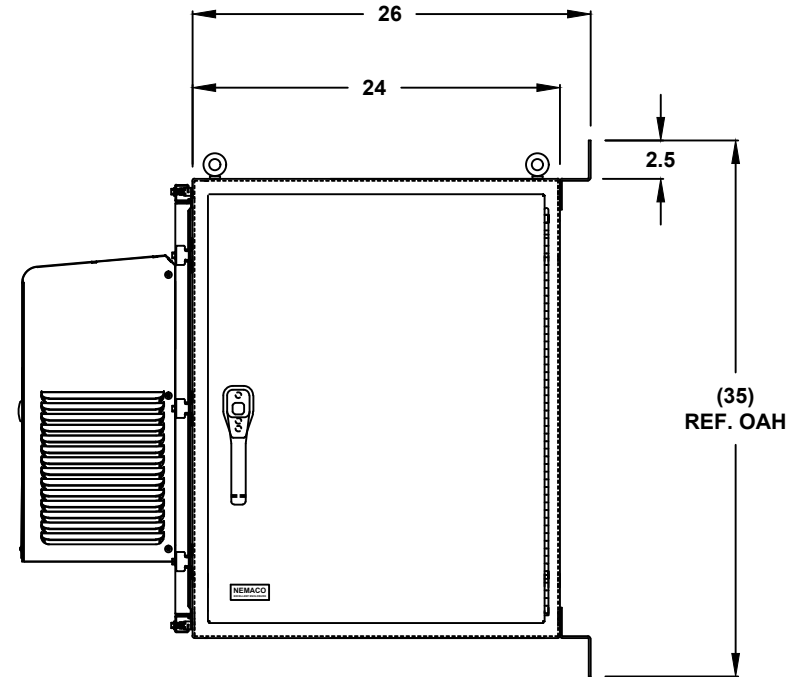
CONDUIT/CABLE SEAL OPTIONS

- ROXTEC SEAL SOLUTION
- PIPE FITTING HUB
- CABLE GLAND

30" H x 24" W x 30" D 2 DOOR DESIGN



FRONT VIEW



RIGHT SIDE VIEW