

**NEMA 4/12 - ENCLOSURE  
19" RACKMOUNT - 36U HEIGHT  
MOBILE UNIT**

**66" H x 24" W x 36" D  
2 DOOR DESIGN**



FILE NUMBER: E507642

**LIFTING EYES**

- WELDED PADEYES (STANDARD)
- REMOVABLE PADEYES

**\*WINDOW OPTIONS**

- TINTED WINDOW
- TEMPERED GLASS
- NOT REQUIRED

**CASTER WHEEL DIAMETER/WIDTH**

- 3" DIA. 1-1/4" WIDTH
- 4" DIA. 1-1/4" WIDTH
- 5" DIA. 1-1/4" WIDTH (STANDARD)

**CASTER WHEEL MAT. MAX CAP.**

- POLYOLEFIN (STD) 200 lbs. ea.
- POLYURETHANE 250 lbs. ea.
- NYLON - WHITE 300 lbs. ea.
- HARD RUBBER 200 lbs. ea.

**WHEEL KIT**

- 2 SWIVEL- LOCKING  
2 STRAIGHT (STANDARD)
- 4 SWIVEL- LOCKING

**CASTER WHEEL OPTIONS**

- NO BRAKE
- SIDE BRAKE PEDAL (TB)
- TOP BRAKE PEDAL (PTB)

\*NOTE: UL & NON-UL OPTIONS AVAILABLE

**N4-662436-M2DXX19 (X1) 1/5**

**ENCLOSURE MATERIAL**

- POWDER COATED STEEL (CS)
- POWDER COATED ALUMINUM (AL)

AIR CONDITIONER (OPTION)  
REF. TO PAGE 2

**POWDERCOAT COLOR**

- WHITE
- LIGHT GRAY ANSI 70
- DARK GRAY ANSI 61 (STANDARD)
- BLACK
- CUSTOM \_\_\_\_\_

**ENCLOSURE CONSTRUCTION**

- 14 GA THK.
- 12 GA THK.

**ENCLOSURE DOOR HINGE**

- CONTINUOUS PIANO HINGE (STANDARD)
- REMOVABLE LIFT OFF HINGE

**DOOR HANDLES**

- PADLOCK PROVISION (STANDARD)
- KEYLOCK

ALL DIMENSIONS ARE ESTIMATED IN INCHES AND MAY VARY DUE TO SELECTED OPTIONS.

COMPANY NAME \_\_\_\_\_

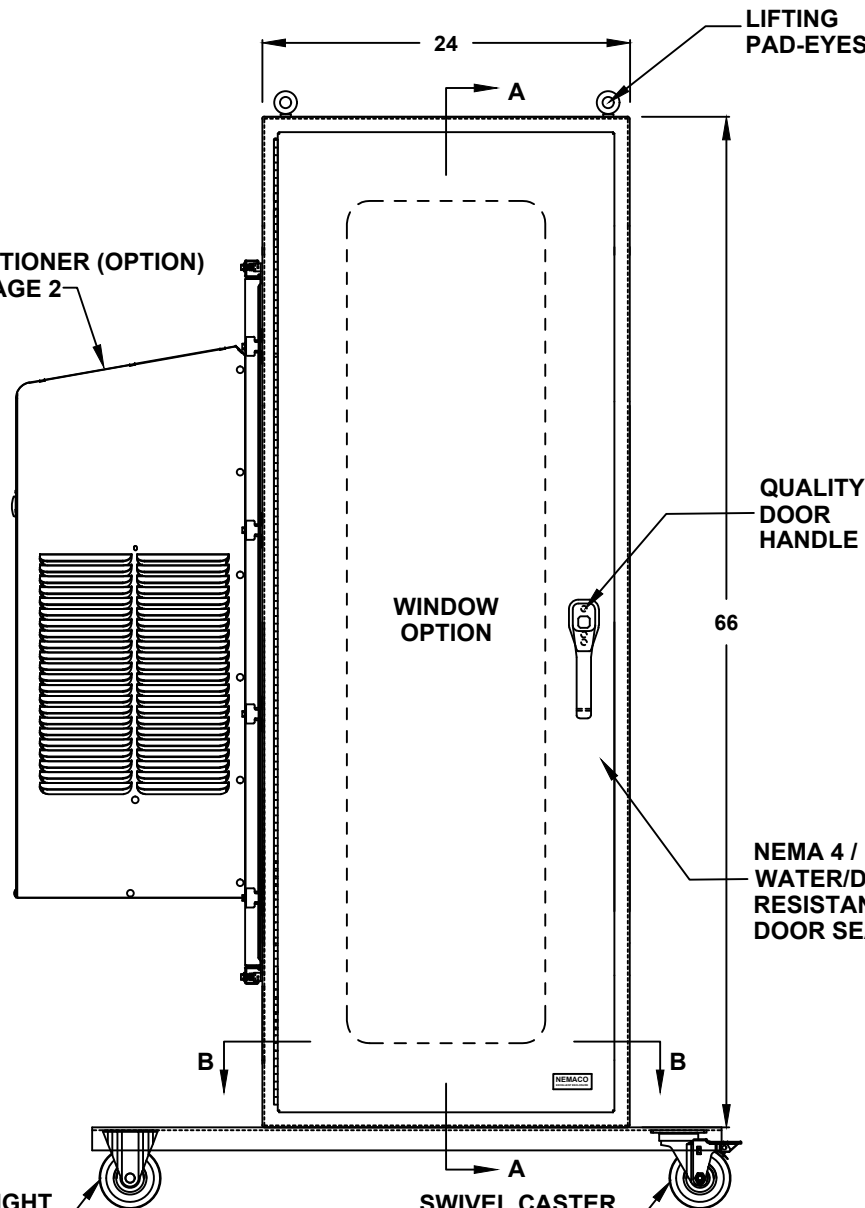
APPROVED (PRINTED NAME) \_\_\_\_\_

SIGNATURE \_\_\_\_\_ DATE \_\_\_\_\_

STRAIGHT  
CASTER  
WHEEL

SWIVEL CASTER  
WHEEL WITH  
LOCKING BRAKE

FRONT VIEW



66" H x 24" W x 36" D  
2 DOOR DESIGN

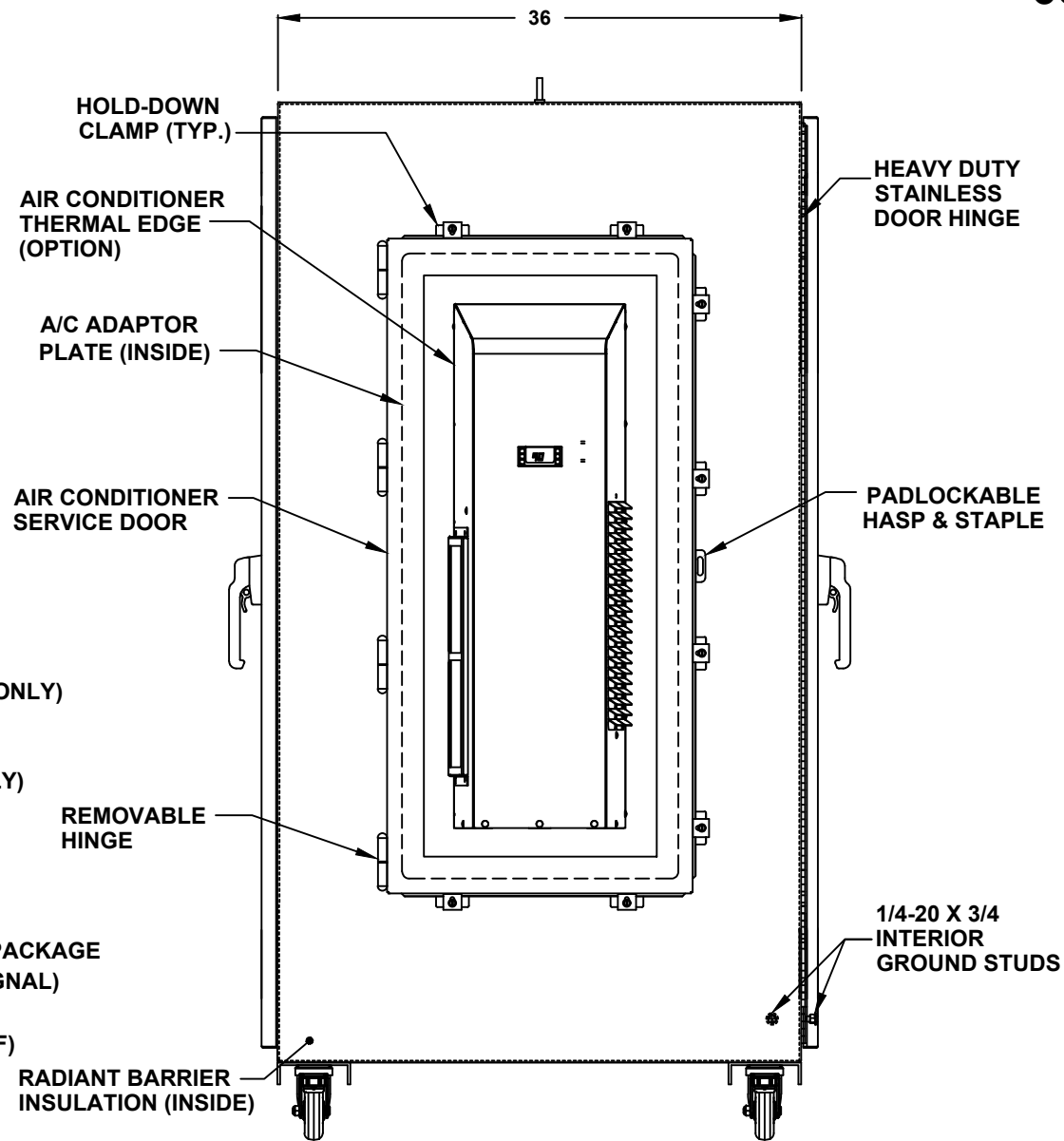
- AIR CONDITIONER**
- 1000 BTU
  - 2000 BTU
  - 3000 BTU
  - 4000 BTU
  - 5000 BTU
  - 6000 BTU
  - 8000 BTU
  - 10000 BTU
  - 12000 BTU
  - 15000 BTU
  - 20000 BTU
  - SPECIFY \_\_\_\_\_
  - NOT REQUIRED

- A/C VOLTAGE/ HZ**
- 115 VOLTS
  - 230 VOLTS
  - 480 VOLTS
  - 60 HZ
  - 50 HZ
  - 48 VDC (CS011 / NE040 A/C ONLY)

- A/C INTEGRATED HEATER**
- 350 WATTS (CS011 A/C ONLY)
  - 500 WATTS (C3020)
  - 1000 WATTS
  - EXTERNAL HEATER

- ADDITIONAL A/C OPTIONS**
- CORROSION PROTECTION PACKAGE
  - DRY CONTACT (OUTPUT SIGNAL)
  - 2" DEEP FILTERS
  - PROXIMITY SWITCH (ON/OFF)

- AIR CONDITIONER- SCADA**
- MOBUS RTU 485 (2 WIRE) REMOTE NETWORK ETHERNET CONNECTION
  - MOBUS GATEWAY ADD-ON



- SUN REFLECTIVE SOLUTION**
- TOP SUNSHIELD COVER

- THERMAL SPECIFICATIONS**
- OUTSIDE (AMBIENT) \_\_\_\_\_ °F
  - INTERIOR TEMP. \_\_\_\_\_ °F
  - HEAT LOAD (WATTS) \_\_\_\_\_
  - SUN / SHADE \_\_\_\_\_

- ENCLOSURE INSULATION**
- 1/2 RADIANT BARRIER (STANDARD)
  - 3/4 RADIANT BARRIER
  - 1 RADIANT BARRIER
  - NOT REQUIRED

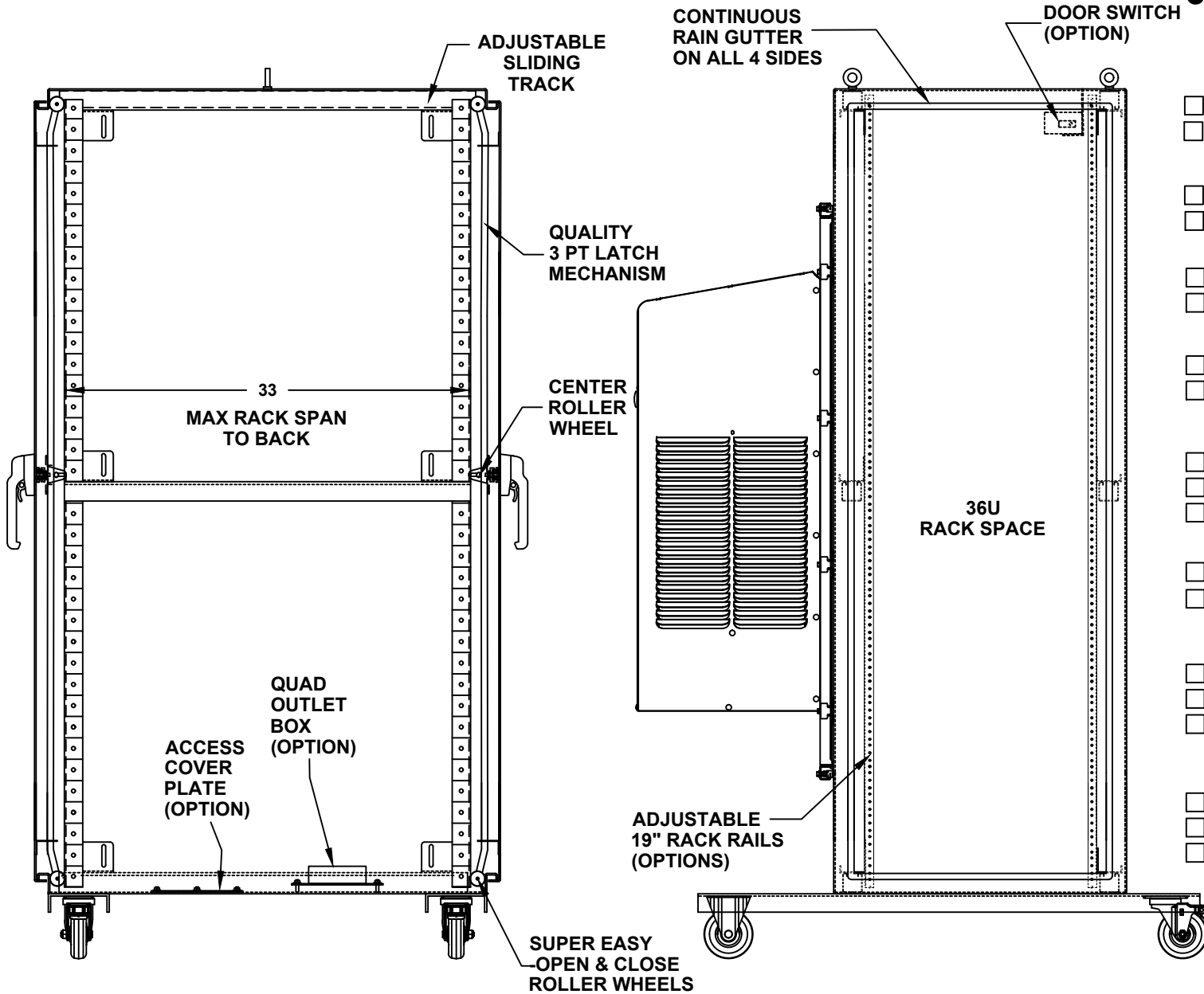
- A/C SERVICE DOOR**
- INSTALL A/C SERVICE DOOR
  - NOT REQUIRED

- A/C SERVICE DOOR HINGE**
- REMOVABLE HINGE
  - CONTINUOUS HINGE

- A/C ADAPTOR PLATE**
- INSTALL A/C ADAPTOR PLATE
  - NOT REQUIRED

LEFT SIDE

# 66" H x 24" W x 36" D 2 DOOR DESIGN



CROSS SECTION VIEW A-A

FRONT VIEW WITH DOOR REMOVED

**DOOR OPTIONS**

- DOOR SWITCH
- PRINT POCKET

**DOOR SWITCH OPTIONS**

- 10A (STANDARD)
- 16A

**RACK RAIL POST**

- QTY 2 POST
- QTY 4 POST (REARDOOR REQUIRED)

**RACK RAIL MATERIAL**

- POWDER COATED STEEL (STANDARD)
- 304 STAINLESS STEEL

**RACK RAIL MOUNTING HOLES**

- #10-32 TAP (STANDARD)
- #1/4-20 TAP
- 3/8 SQUARE

**RACK RAIL TYPE**

- STANDARD GRADE
- HEAVY DUTY RAILS (OPTION)

**RACK RAIL OPTIONS**

- BLACK CLIP NUTS, #10-32, (100 EA.)
- #10/32 HIGH POINT SCREWS (100 EA.)
- M6 CAGE NUTS

**RACK SHELVES (OPTION)**

- STANDARD RACK SHELVES
- SLIDING RACK SHELVES
- RACK SHELF SUPPORT

**RACK DRAWERS (OPTION)**

- RACK DRAWERS
- LAPTOP DRAWERS

**OTHER OPTIONS**

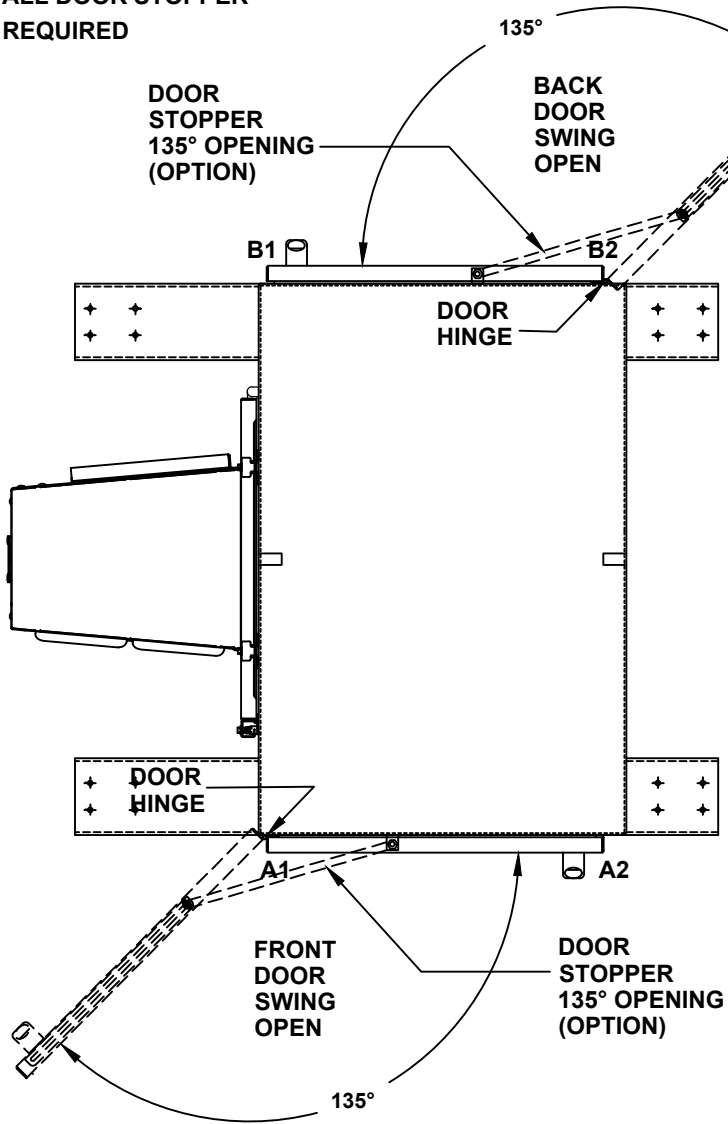
- 19" RACK COPPER BUSBAR
- VERTICAL RACK PDU

N4-662436-M2DXX19 (X1) 3/5

**66" H x 24" W x 36" D**  
**2 DOOR DESIGN**

**DOOR STOPPER**

- INSTALL DOOR STOPPER
- NOT REQUIRED



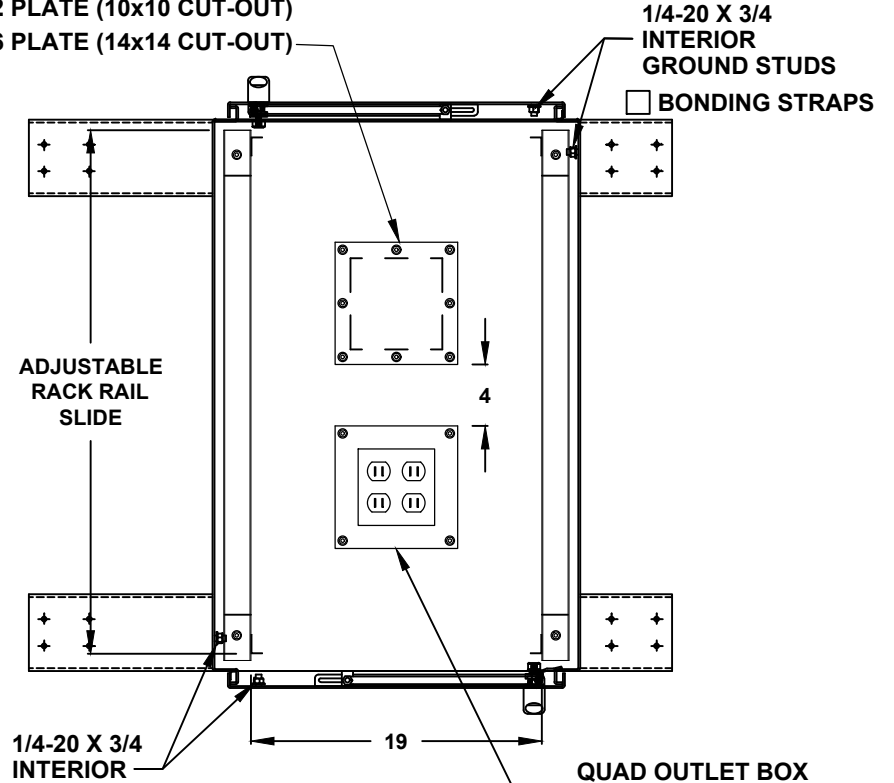
**TOP VIEW**

**BASE ACCESS COVER PLATE (OPTION)**

- 8x8 PLATE (6x6 CUT-OUT)
- 8x16 PLATE (6x14 CUT-OUT)
- 12x12 PLATE (10x10 CUT-OUT)
- 16x16 PLATE (14x14 CUT-OUT)

**SIDE ACCESS COVER PLATE MAT'L**

- POWDER COATED STEEL
- POWDER COATED ALUMINUM
- STAINLESS STEEL, 304



**TOP CROSS SECTION VIEW B-B**

**CONDUIT/CABLE SEAL OPTIONS**

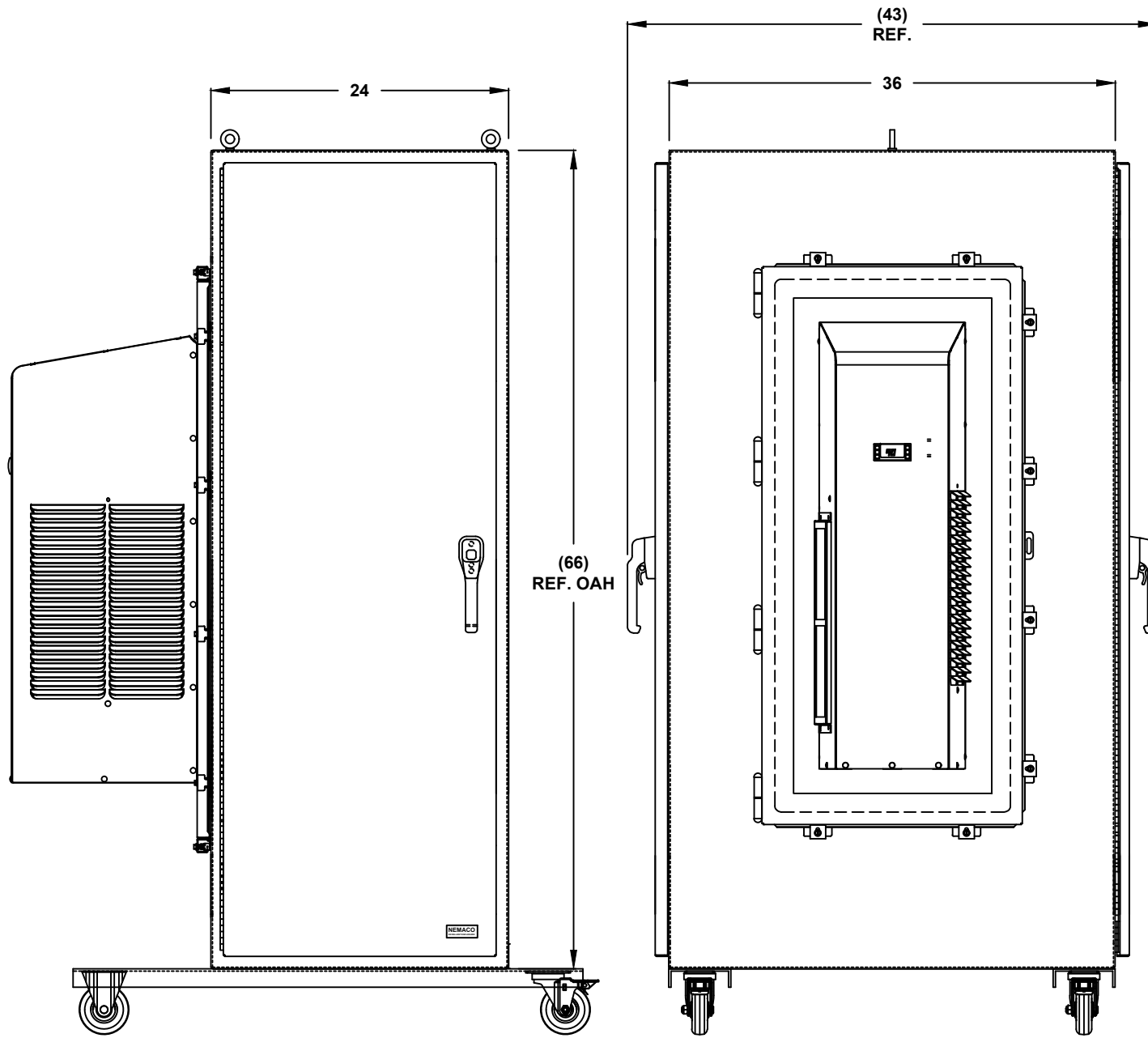
- ROXTEC SEAL SOLUTION
- PIPE FITTING HUB
- CABLE GLAND

**QUAD OUTLET BOX ON 8x8 PLATE (OPTION)**

- ADD QUAD BOX
- NOT REQUIRED

**OUTLET BOX AMP.**

- 15A
- 20A



**66" H x 24" W x 36" D**  
**2 DOOR DESIGN**

FRONT VIEW

LEFT SIDE