

**42" H x 24" W x 16" D  
1 DOOR DESIGN**

**NEMA 4/12 - ENCLOSURE  
19" RACKMOUNT - 22U HEIGHT  
MOBILE UNIT**



FILE NUMBER: E507642

- ENCLOSURE MATERIAL**
- POWDER COATED STEEL (CS)
  - POWDER COATED ALUMINUM (AL)

- POWDERCOAT COLOR**
- WHITE
  - LIGHT GRAY ANSI 70
  - DARK GRAY ANSI 61 (STANDARD)
  - BLACK
  - CUSTOM \_\_\_\_\_

- ENCLOSURE CONSTRUCTION**
- 14 GA THK.
  - 12 GA THK.

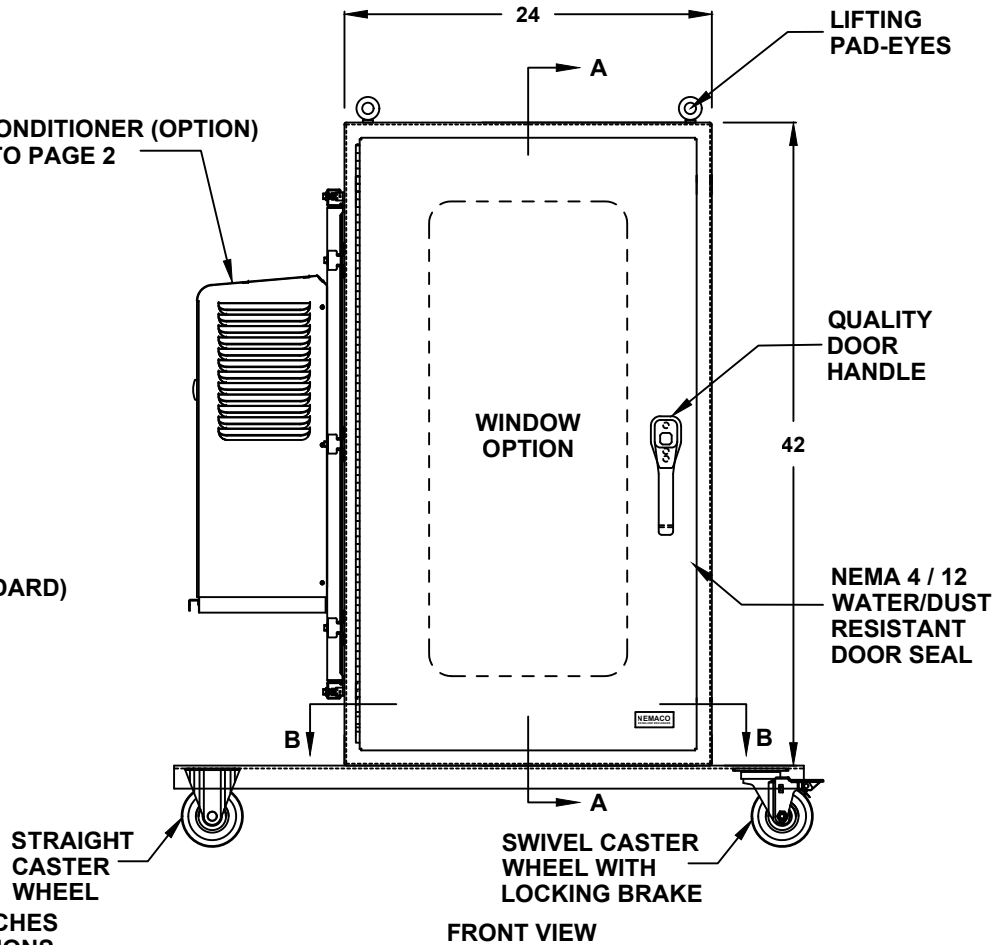
- ENCLOSURE DOOR HINGE**
- CONTINUOUS PIANO HINGE (STANDARD)
  - REMOVABLE LIFT OFF HINGE

- DOOR HANDLES**
- PADLOCK PROVISION (STANDARD)
  - KEYLOCK

ALL DIMENSIONS ARE ESTIMATED IN INCHES AND MAY VARY DUE TO SELECTED OPTIONS.

_____ COMPANY NAME	
_____ APPROVED (PRINTED NAME)	
_____ SIGNATURE	_____ DATE

AIR CONDITIONER (OPTION)  
REF. TO PAGE 2



- LIFTING EYES**
- WELDED PADEYES (STANDARD)
  - REMOVABLE PADEYES

- \*WINDOW OPTIONS**
- TINTED WINDOW
  - TEMPERED GLASS
  - NOT REQUIRED

- CASTER WHEEL DIAMETER/WIDTH**
- 3" DIA. 1-1/4" WIDTH
  - 4" DIA. 1-1/4" WIDTH
  - 5" DIA. 1-1/4" WIDTH (STANDARD)

<u>CASTER WHEEL MAT.</u>	<u>MAX CAP.</u>
<input type="checkbox"/> POLYOLEFIN (STD)	200 lbs. ea.
<input type="checkbox"/> POLYURETHANE	250 lbs. ea.
<input type="checkbox"/> NYLON - WHITE	300 lbs. ea.
<input type="checkbox"/> HARD RUBBER	200 lbs. ea.

- WHEEL KIT**
- 2 SWIVEL - LOCKING  
2 STRAIGHT (STANDARD)
  - 4 SWIVEL - LOCKING

- CASTER WHEEL OPTIONS**
- NO BRAKE
  - SIDE BRAKE PEDAL (TB)
  - TOP BRAKE PEDAL (PTB)

\*NOTE: UL & NON-UL OPTIONS AVAILABLE

# 42" H x 24" W x 16" D 1 DOOR DESIGN

**AIR CONDITIONER**

- 1000 BTU
- 1500 BTU
- 2000 BTU
- 3000 BTU
- 4000 BTU
- 5000 BTU
- 6000 BTU
- 8000 BTU
- SPECIFY \_\_\_\_\_
- NOT REQUIRED

**A/C VOLTAGE/ HZ**

- 115 VOLTS
- 230 VOLTS
- 480 VOLTS
- 60 HZ
- 50 HZ
- 48 VDC (CS011 A/C ONLY)

**A/C INTEGRATED HEATER**

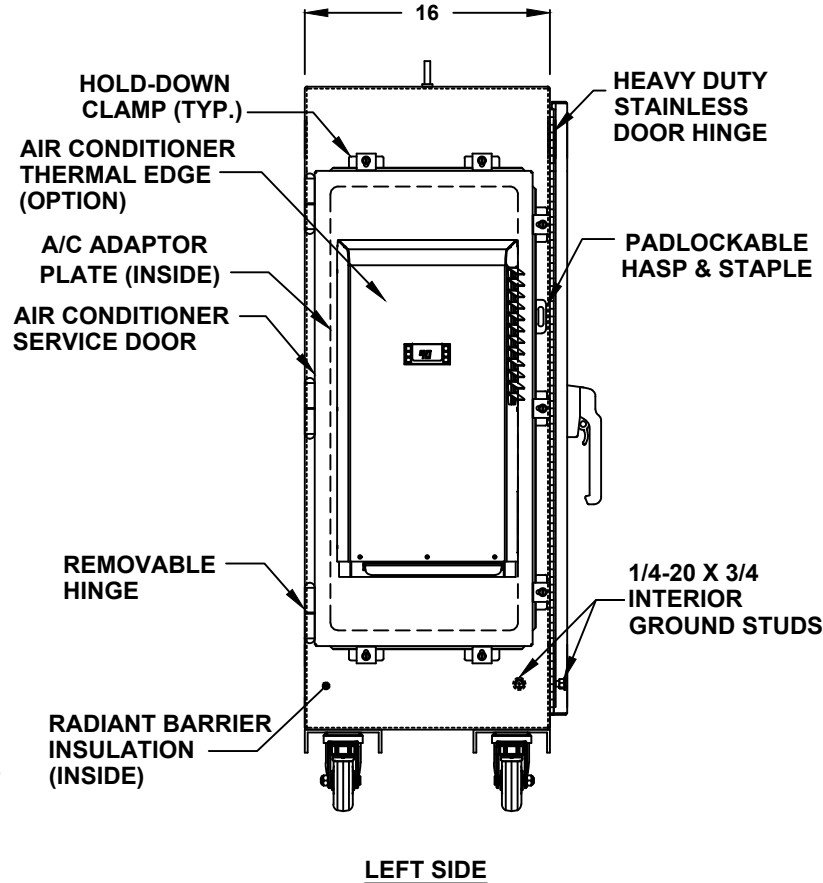
- 350 WATTS (CS011 A/C ONLY)
- 500 WATTS
- 1000 WATTS
- EXTERNAL HEATER

**ADDITIONAL A/C OPTIONS**

- CORROSION PROTECTION PACKAGE
- DRY CONTACT (OUTPUT SIGNAL)
- 2" DEEP FILTERS
- PROXIMITY SWITCH (ON/OFF)

**AIR CONDITIONER- SCADA**

- MOBUS RTU 485 (2 WIRE)  
REMOTE NETWORK  
ETHERNET CONNECTION
- MOBUS GATEWAY  
ADD-ON



**SUN REFLECTIVE SOLUTION**

- TOP SUNSHIELD COVER

**THERMAL SPECIFICATIONS**

- OUTSIDE (AMBIENT) \_\_\_\_\_ °F
- INTERIOR TEMP. \_\_\_\_\_ °F
- HEAT LOAD (WATTS) \_\_\_\_\_
- SUN / SHADE \_\_\_\_\_

**ENCLOSURE INSULATION**

- 1/2 RADIANT BARRIER (STANDARD)
- 3/4 RADIANT BARRIER
- 1 RADIANT BARRIER
- NOT REQUIRED

**A/C SERVICE DOOR**

- INSTALL A/C SERVICE DOOR
- NOT REQUIRED

**A/C SERVICE DOOR HINGE**

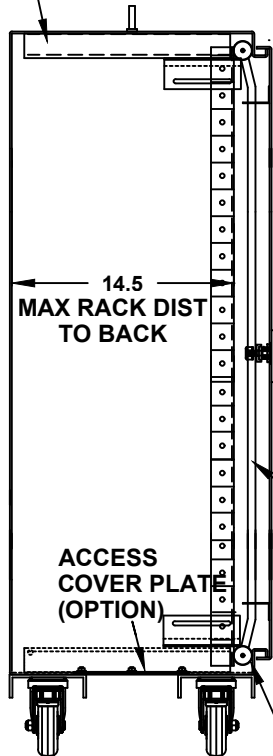
- REMOVABLE HINGE
- CONTINUOUS HINGE

**A/C ADAPTOR PLATE**

- INSTALL A/C ADAPTOR PLATE
- NOT REQUIRED

# 42" H x 24" W x 16" D 1 DOOR DESIGN

ADJUSTABLE  
SLIDING  
TRACK



14.5  
MAX RACK DIST  
TO BACK

ACCESS  
COVER PLATE  
(OPTION)

QUALITY  
3 PT LATCH  
MECHANISM

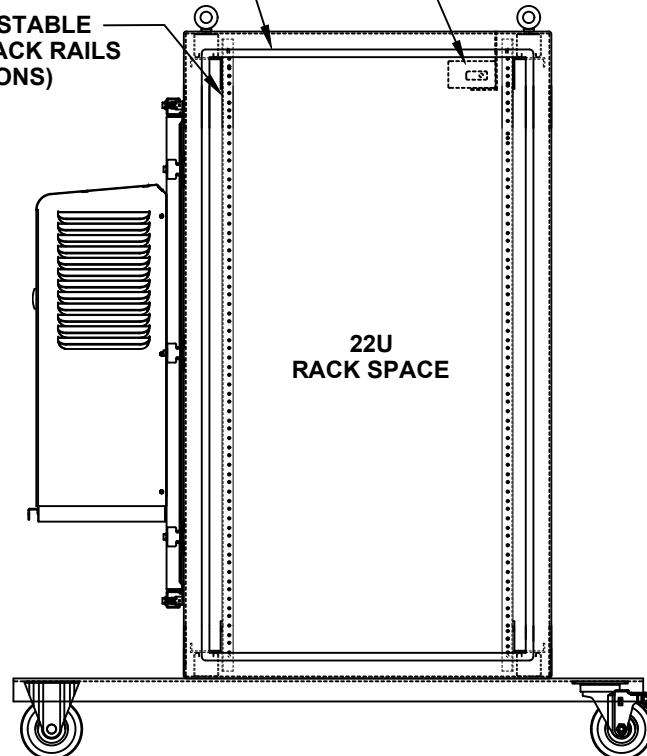
SUPER EASY  
-OPEN & CLOSE  
ROLLER WHEELS

CROSS SECTION VIEW A-A

CONTINUOUS  
RAIN GUTTER  
ON ALL 4 SIDES

ADJUSTABLE  
19" RACK RAILS  
(OPTIONS)

DOOR SWITCH  
(OPTION)



22U  
RACK SPACE

FRONT VIEW WITH DOOR REMOVED

DOOR OPTIONS

- DOOR SWITCH
- PRINT POCKET

DOOR SWITCH OPTIONS

- 10A (STANDARD)
- 16A

RACK RAIL POST

- QTY 2 POST
- QTY 4 POST (REARDOOR REQUIRED)

RACK RAIL MATERIAL

- POWDER COATED STEEL (STANDARD)
- 304 STAINLESS STEEL

RACK RAIL MOUNTING HOLES

- #10-32 TAP (STANDARD)
- #1/4-20 TAP
- 3/8 SQUARE

RACK RAIL TYPE

- STANDARD GRADE
- HEAVY DUTY RAILS (OPTION)

RACK RAIL OPTIONS

- BLACK CLIP NUTS, #10-32, (100 EA.)
- #10/32 HIGH POINT SCREWS (100 EA.)
- M6 CAGE NUTS

RACK SHELVES (OPTION)

- STANDARD RACK SHELVES
- SLIDING RACK SHELVES
- RACK SHELF SUPPORT

RACK DRAWERS (OPTION)

- RACK DRAWERS
- LAPTOP DRAWERS

OTHER OPTIONS

- 19" RACK COPPER BUSBAR
- VERTICAL RACK PDU

# 42" H x 24" W x 16" D 1 DOOR DESIGN

**DOOR STOPPER**

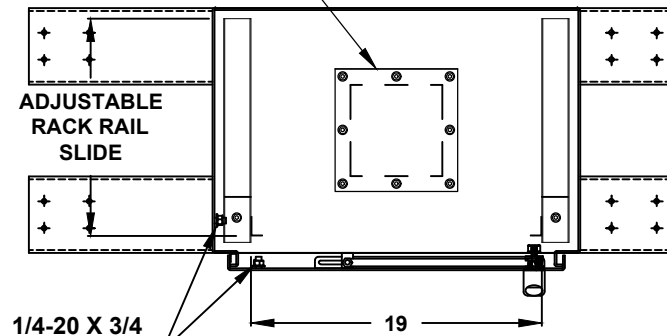
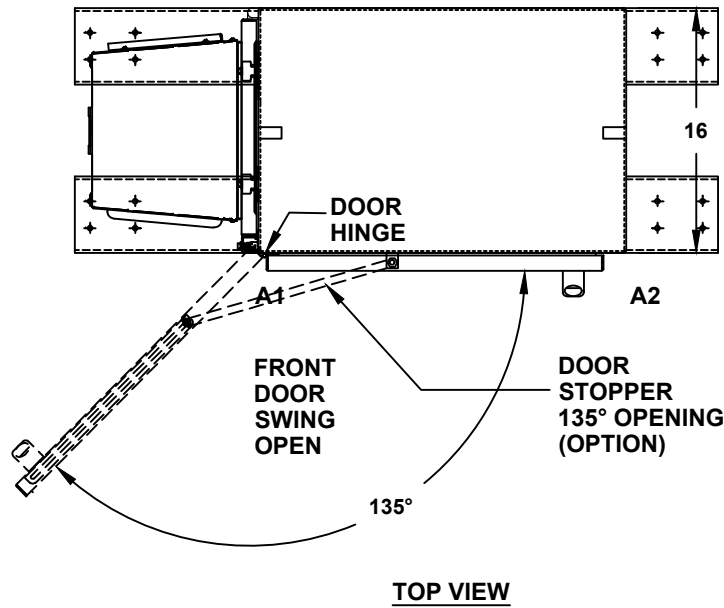
- INSTALL DOOR STOPPER
- NOT REQUIRED

**BASE ACCESS COVER PLATE  
(OPTION)**

- 8x8 PLATE (6x6 CUT-OUT)
- 8x16 PLATE (6x14 CUT-OUT)
- 12x12 PLATE (10x10 CUT-OUT)
- 16x16 PLATE (14x14 CUT-OUT)

**SIDE ACCESS COVER PLATE MAT'L**

- POWDER COATED STEEL
- POWDER COATED ALUMINUM
- STAINLESS STEEL, 304



1/4-20 X 3/4  
INTERIOR  
GROUND STUDS

BONDING STRAPS

**CONDUIT/CABLE SEAL OPTIONS**

- ROXTEC SEAL SOLUTION
- PIPE FITTING HUB
- CABLE GLAND

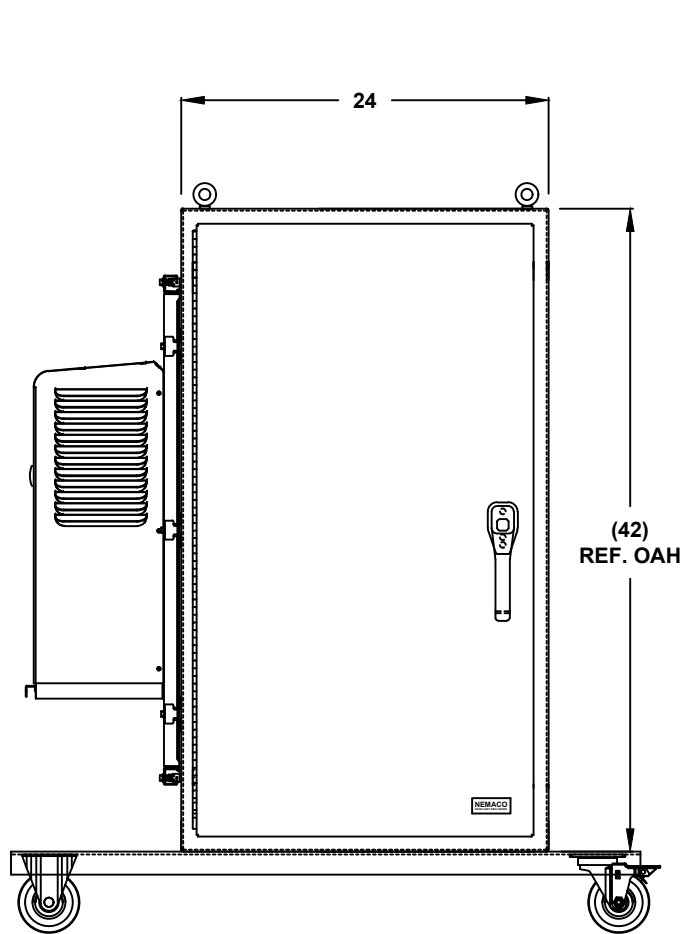
**QUAD OUTLET BOX  
ON 8x8 PLATE (OPTION)**

- ADD QUAD BOX
- NOT REQUIRED

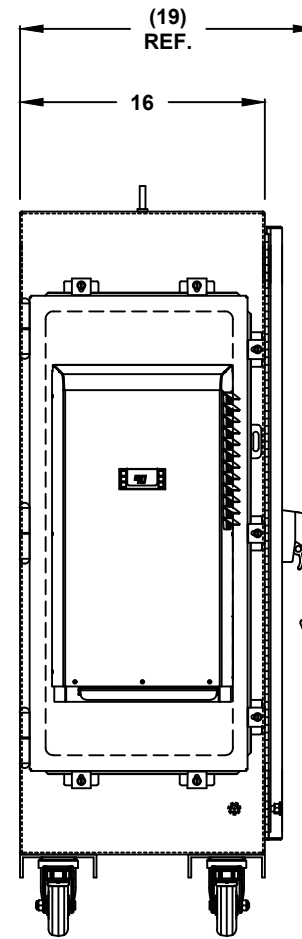
**OUTLET BOX AMP.**

- 15A
- 20A

42" H x 24" W x 16" D  
1 DOOR DESIGN



FRONT VIEW



LEFT SIDE