



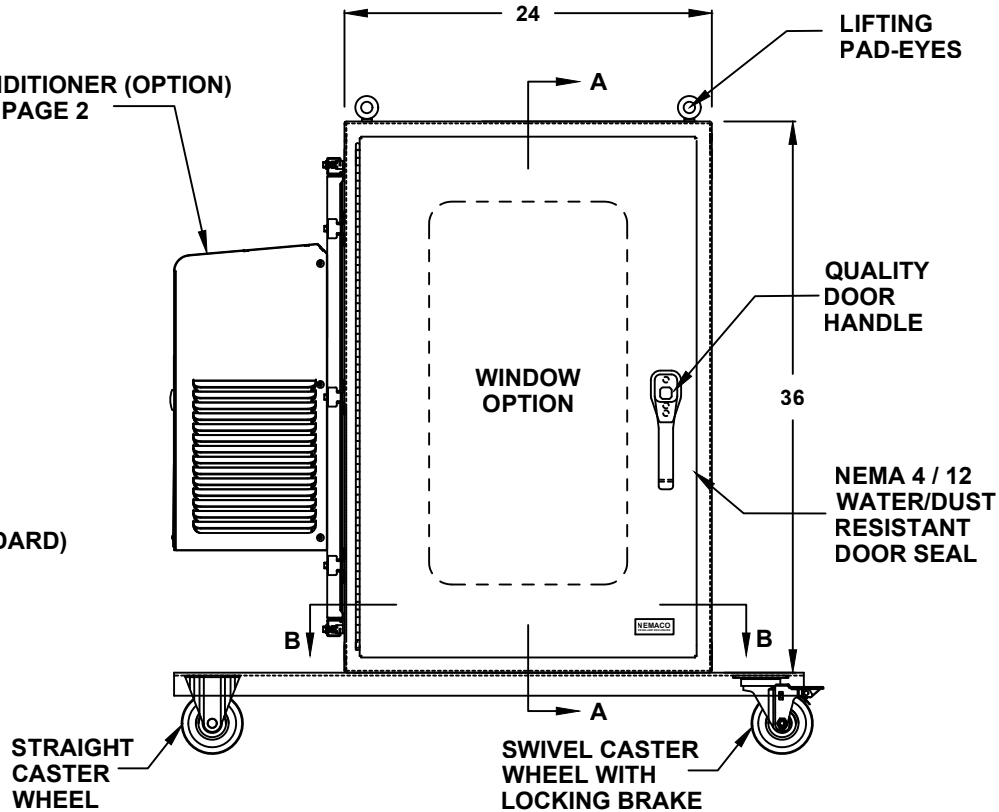
FILE NUMBER: E507642

**NEMA 4/12 - ENCLOSURE
19" RACKMOUNT - 18U HEIGHT
MOBILE UNIT**

**36" H x 24" W x 16" D
1 DOOR DESIGN**

- ENCLOSURE MATERIAL**
- POWDER COATED STEEL (CS)
 - POWDER COATED ALUMINUM (AL)
- POWDERCOAT COLOR**
- WHITE
 - LIGHT GRAY ANSI 70
 - DARK GRAY ANSI 61 (STANDARD)
 - BLACK
 - CUSTOM _____
- ENCLOSURE CONSTRUCTION**
- 14 GA THK.
 - 12 GA THK.
- ENCLOSURE DOOR HINGE**
- CONTINUOUS PIANO HINGE (STANDARD)
 - REMOVABLE LIFT OFF HINGE
- DOOR HANDLES**
- PADLOCK PROVISION (STANDARD)
 - KEYLOCK

AIR CONDITIONER (OPTION)
REF. TO PAGE 2



FRONT VIEW

ALL DIMENSIONS ARE ESTIMATED IN INCHES
AND MAY VARY DUE TO SELECTED OPTIONS.

- LIFTING EYES**
- WELDED PADEYES (STANDARD)
 - REMOVABLE PADEYES

- *WINDOW OPTIONS**
- TINTED WINDOW
 - TEMPERED GLASS
 - NOT REQUIRED

- CASTER WHEEL DIAMETER/WIDTH**
- 3" DIA. 1-1/4" WIDTH
 - 4" DIA. 1-1/4" WIDTH
 - 5" DIA. 1-1/4" WIDTH (STANDARD)

- | <u>CASTER WHEEL MAT.</u> | <u>MAX CAP.</u> |
|---|-----------------|
| <input type="checkbox"/> POLYOLEFIN (STD) | 200 lbs. ea. |
| <input type="checkbox"/> POLYURETHANE | 250 lbs. ea. |
| <input type="checkbox"/> NYLON - WHITE | 300 lbs. ea. |
| <input type="checkbox"/> HARD RUBBER | 200 lbs. ea. |

- WHEEL KIT**
- 2 SWIVEL - LOCKING
2 STRAIGHT (STANDARD)
 - 4 SWIVEL - LOCKING

- CASTER WHEEL OPTIONS**
- NO BRAKE
 - SIDE BRAKE PEDAL (TB)
 - TOP BRAKE PEDAL (PTB)

*NOTE: UL & NON-UL OPTIONS
AVAILABLE

COMPANY NAME

APPROVED (PRINTED NAME)

SIGNATURE

DATE

36" H x 24" W x 16" D 1 DOOR DESIGN

AIR CONDITIONER

- 1000 BTU
- 1500 BTU
- 2000 BTU
- 3000 BTU
- 4000 BTU
- SPECIFY _____
- NOT REQUIRED

A/C VOLTAGE/ HZ

- 115 VOLTS
- 230 VOLTS
- 480 VOLTS
- 60 HZ
- 50 HZ
- 48 VDC (CS011 A/C ONLY)

A/C INTEGRATED HEATER

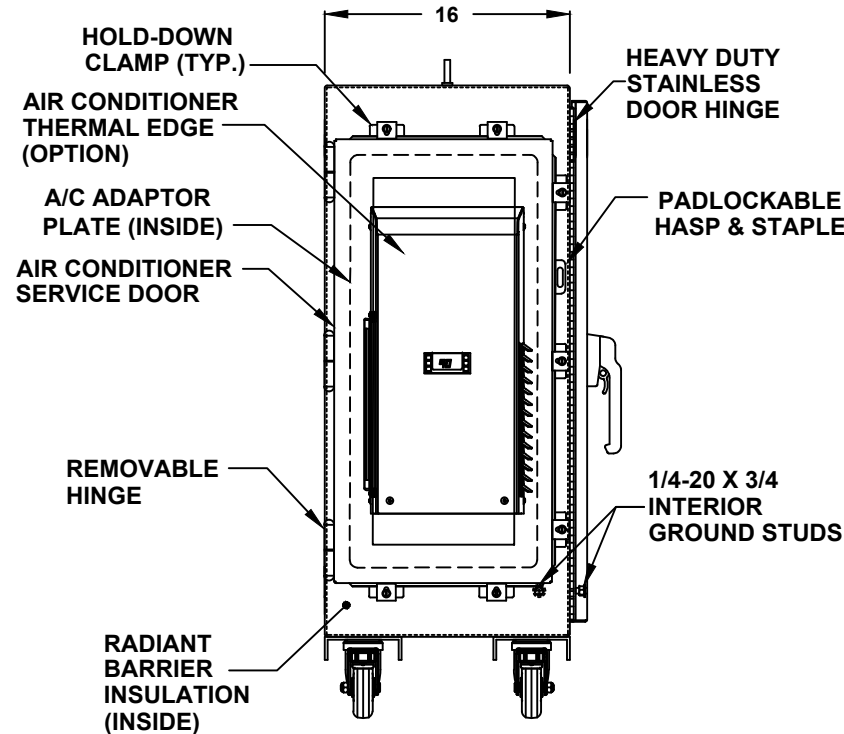
- 350 WATTS (CS011 A/C ONLY)
- 500 WATTS
- 1000 WATTS
- EXTERNAL HEATER

ADDITIONAL A/C OPTIONS

- CORROSION PROTECTION PACKAGE
- DRY CONTACT (OUTPUT SIGNAL)
- 2" DEEP FILTERS
- PROXIMITY SWITCH (ON/OFF)

AIR CONDITIONER- SCADA

- MOBUS RTU 485 (2 WIRE)
REMOTE NETWORK
ETHERNET CONNECTION
- MOBUS GATEWAY
ADD-ON



LEFT SIDE

SUN REFLECTIVE SOLUTION

- TOP SUNSHIELD COVER

THERMAL SPECIFICATIONS

- OUTSIDE (AMBIENT) _____ °F
- INTERIOR TEMP. _____ °F
- HEAT LOAD (WATTS) _____
- SUN / SHADE _____

ENCLOSURE INSULATION

- 1/2 RADIANT BARRIER (STANDARD)
- 3/4 RADIANT BARRIER
- 1 RADIANT BARRIER
- NOT REQUIRED

A/C SERVICE DOOR

- INSTALL A/C SERVICE DOOR
- NOT REQUIRED

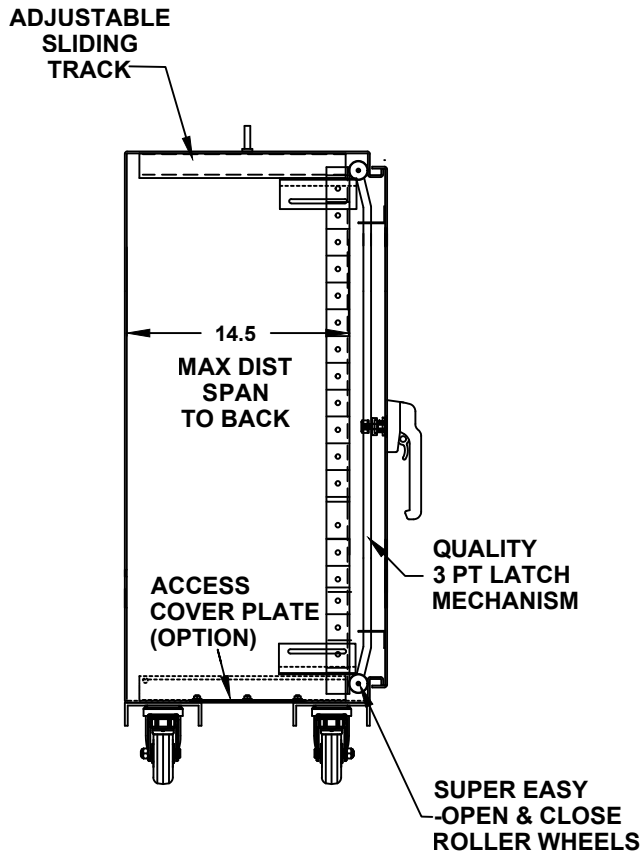
A/C SERVICE DOOR HINGE

- REMOVABLE HINGE
- CONTINUOUS HINGE

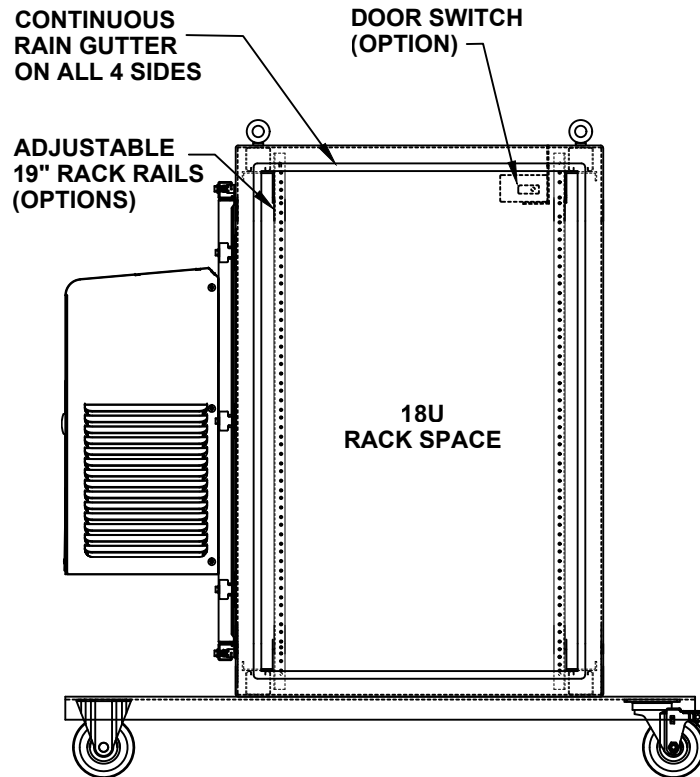
A/C ADAPTOR PLATE

- INSTALL A/C ADAPTOR PLATE
- NOT REQUIRED

36" H x 24" W x 16" D 1 DOOR DESIGN



CROSS SECTION VIEW A-A



FRONT VIEW WITH DOOR REMOVED

DOOR OPTIONS

- DOOR SWITCH
- PRINT POCKET

DOOR SWITCH OPTIONS

- 10A (STANDARD)
- 16A

RACK RAIL POST

- QTY 2 POST
- QTY 4 POST (REARDOOR REQUIRED)

RACK RAIL MATERIAL

- POWDER COATED STEEL (STANDARD)
- 304 STAINLESS STEEL

RACK RAIL MOUNTING HOLES

- #10-32 TAP (STANDARD)
- #1/4-20 TAP
- 3/8 SQUARE

RACK RAIL TYPE

- STANDARD GRADE
- HEAVY DUTY RAILS (OPTION)

RACK RAIL OPTIONS

- BLACK CLIP NUTS, #10-32, (100 EA.)
- #10/32 HIGH POINT SCREWS (100 EA.)
- M6 CAGE NUTS

RACK SHELVES (OPTION)

- STANDARD RACK SHELVES
- SLIDING RACK SHELVES
- RACK SHELF SUPPORT

RACK DRAWERS (OPTION)

- RACK DRAWERS
- LAPTOP DRAWERS

OTHER OPTIONS

- 19" RACK COPPER BUSBAR
- VERTICAL RACK PDU

36" H x 24" W x 16" D 1 DOOR DESIGN

DOOR STOPPER

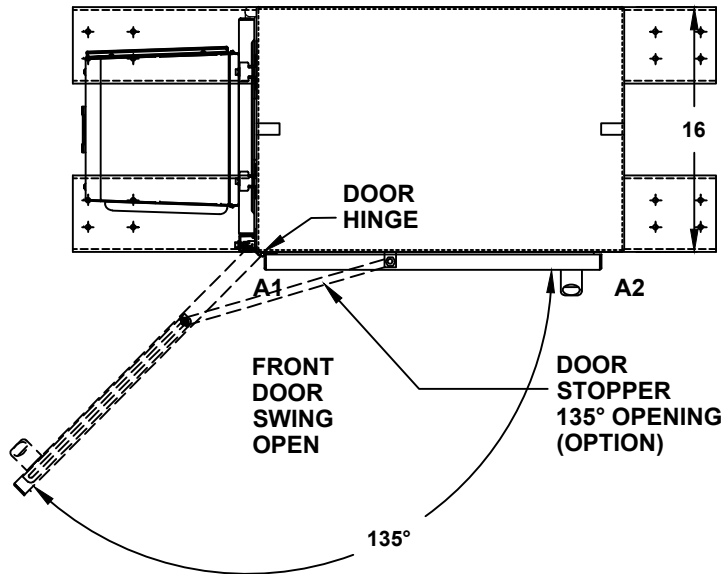
- INSTALL DOOR STOPPER
- NOT REQUIRED

**BASE ACCESS COVER PLATE
(OPTION)**

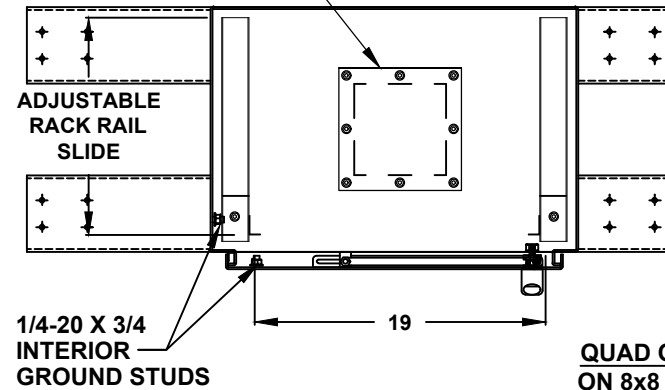
- 8x8 PLATE (6x6 CUT-OUT)
- 8x16 PLATE (6x14 CUT-OUT)
- 12x12 PLATE (10x10 CUT-OUT)
- 16x16 PLATE (14x14 CUT-OUT)

SIDE ACCESS COVER PLATE MAT'L

- POWDER COATED STEEL
- POWDER COATED ALUMINUM
- STAINLESS STEEL, 304



TOP VIEW



- BONDING STRAPS

CONDUIT/CABLE SEAL OPTIONS

- ROXTEC SEAL SOLUTION
- PIPE FITTING HUB
- CABLE GLAND

QUAD OUTLET BOX ON 8x8 PLATE (OPTION)

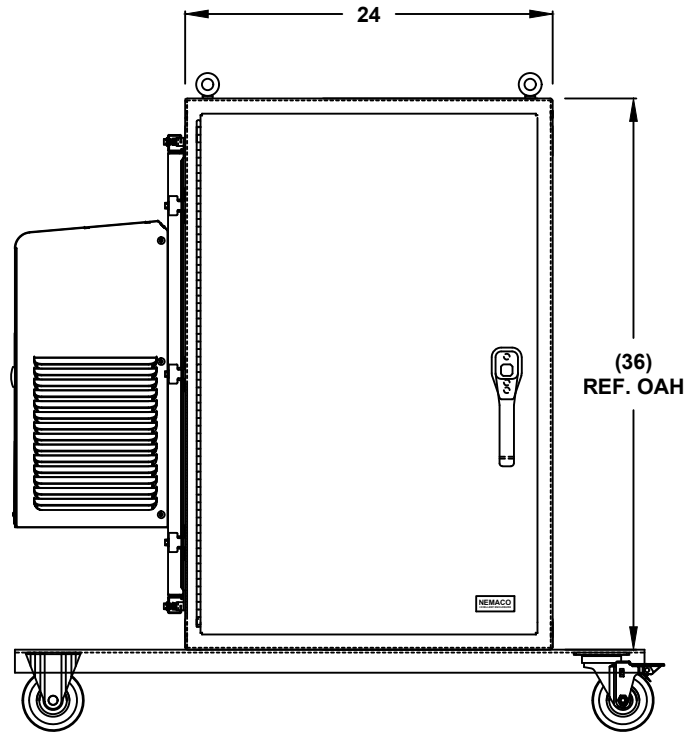
- ADD QUAD BOX
- NOT REQUIRED

OUTLET BOX AMP.

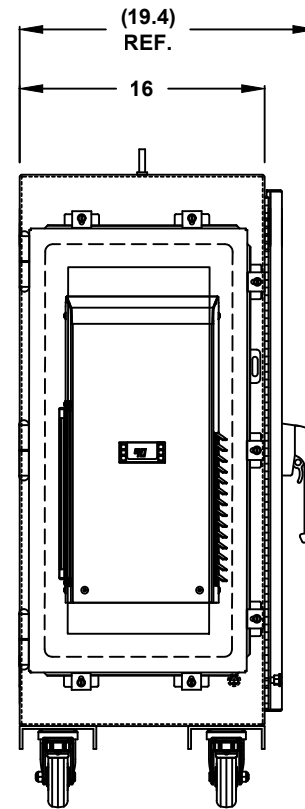
- 15A
- 20A

TOP CROSS SECTION VIEW B-B

36" H x 24" W x 16" D
1 DOOR DESIGN



FRONT VIEW



LEFT SIDE