

**24" H x 24" W x 16" D  
1 DOOR DESIGN**

**NEMA 4/12 - ENCLOSURE  
19" RACKMOUNT - 12U HEIGHT  
MOBILE UNIT**



FILE NUMBER: E507642

**ENCLOSURE MATERIAL**

- POWDER COATED STEEL (CS)
- POWDER COATED ALUMINUM (AL)

**POWDERCOAT COLOR**

- WHITE
- LIGHT GRAY ANSI 70
- DARK GRAY ANSI 61 (STANDARD)
- BLACK
- CUSTOM \_\_\_\_\_

**ENCLOSURE CONSTRUCTION**

- 14 GA THK.
- 12 GA THK.

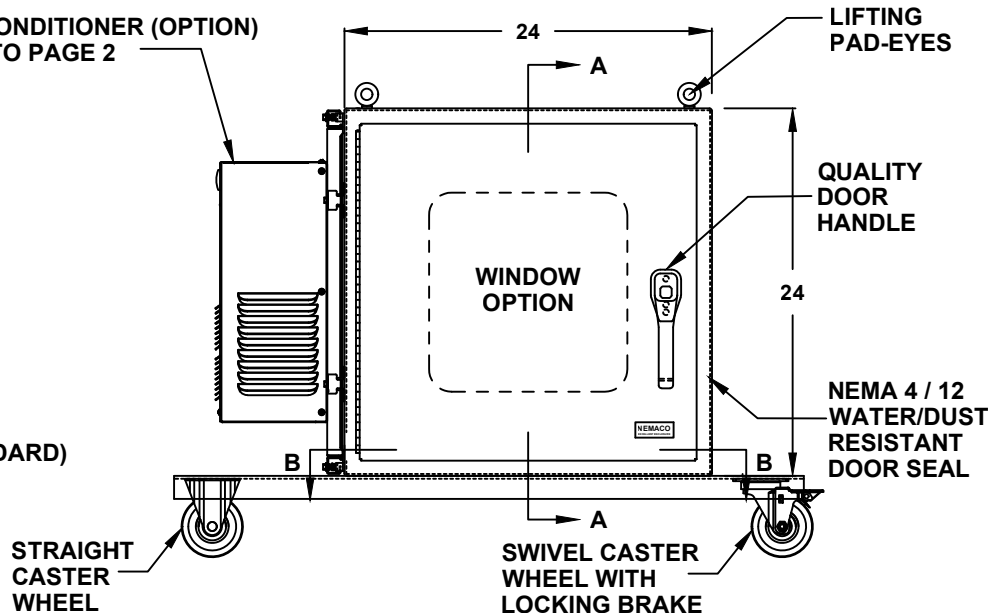
**ENCLOSURE DOOR HINGE**

- CONTINUOUS PIANO HINGE (STANDARD)
- REMOVABLE LIFT OFF HINGE

**DOOR HANDLES**

- PADLOCK PROVISION (STANDARD)
- KEYLOCK

**AIR CONDITIONER (OPTION)  
REF. TO PAGE 2**



**FRONT VIEW**

**LIFTING EYES**

- WELDED PADEYES (STANDARD)
- REMOVABLE PADEYES

**\*WINDOW OPTIONS**

- TINTED WINDOW
- TEMPERED GLASS
- NOT REQUIRED

**CASTER WHEEL DIAMETER/WIDTH**

- 3" DIA. 1-1/4" WIDTH
- 4" DIA. 1-1/4" WIDTH
- 5" DIA. 1-1/4" WIDTH (STANDARD)

**CASTER WHEEL MAT. MAX CAP.**

- POLYOLEFIN (STD) 200 lbs. ea.
- POLYURETHANE 250 lbs. ea.
- NYLON - WHITE 300 lbs. ea.
- HARD RUBBER 200 lbs. ea.

**WHEEL KIT**

- 2 SWIVEL- LOCKING  
2 STRAIGHT (STANDARD)
- 4 SWIVEL- LOCKING

**CASTER WHEEL OPTIONS**

- NO BRAKE
- SIDE BRAKE PEDAL (TB)
- TOP BRAKE PEDAL (PTB)

**\*NOTE: UL & NON-UL OPTIONS  
AVAILABLE**

**ALL DIMENSIONS ARE ESTIMATED IN INCHES  
AND MAY VARY DUE TO SELECTED OPTIONS.**

\_\_\_\_\_  
COMPANY NAME

\_\_\_\_\_  
APPROVED (PRINTED NAME)

\_\_\_\_\_  
SIGNATURE

\_\_\_\_\_  
DATE

# 24" H x 24" W x 16" D 1 DOOR DESIGN

**AIR CONDITIONER**

- 1000 BTU (NE/CS)
- 1500 BTU (NE)
- 2000 BTU (CS)
- SPECIFY \_\_\_\_\_
- NOT REQUIRED

**A/C VOLTAGE/ HZ**

- 115 VOLTS
- 230 VOLTS
- 480 VOLTS
- 60 HZ
- 50 HZ
- 48 VDC (CS011 / NE040 A/C ONLY)

**A/C INTEGRATED HEATER**

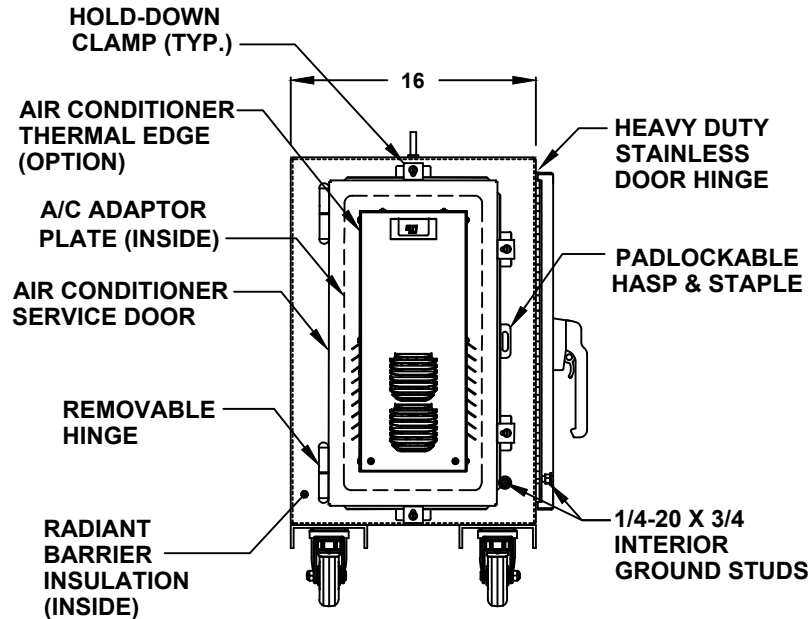
- 350 WATTS (CS011 A/C ONLY)
- 500 WATTS (C3020)
- 1000 WATTS
- EXTERNAL HEATER

**ADDITIONAL A/C OPTIONS**

- CORROSION PROTECTION PACKAGE
- DRY CONTACT (OUTPUT SIGNAL)
- 2" DEEP FILTERS
- PROXIMITY SWITCH (ON/OFF)

**AIR CONDITIONER- SCADA**

- MOBUS RTU 485 (2 WIRE)  
REMOTE NETWORK  
ETHERNET CONNECTION
- MOBUS GATEWAY  
ADD-ON



LEFT SIDE

**SUN REFLECTIVE SOLUTION**

- TOP SUNSHIELD COVER

**THERMAL SPECIFICATIONS**

- OUTSIDE (AMBIENT) \_\_\_\_\_ °F
- INTERIOR TEMP. \_\_\_\_\_ °F
- HEAT LOAD (WATTS) \_\_\_\_\_
- SUN / SHADE \_\_\_\_\_

**ENCLOSURE INSULATION**

- 1/2 RADIANT BARRIER (STANDARD)
- 3/4 RADIANT BARRIER
- 1 RADIANT BARRIER
- NOT REQUIRED

**A/C SERVICE DOOR**

- INSTALL A/C SERVICE DOOR
- NOT REQUIRED

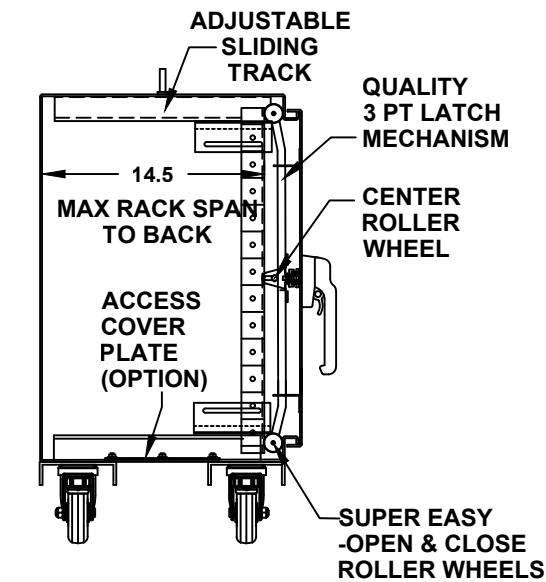
**A/C SERVICE DOOR HINGE**

- REMOVABLE HINGE
- CONTINUOUS HINGE

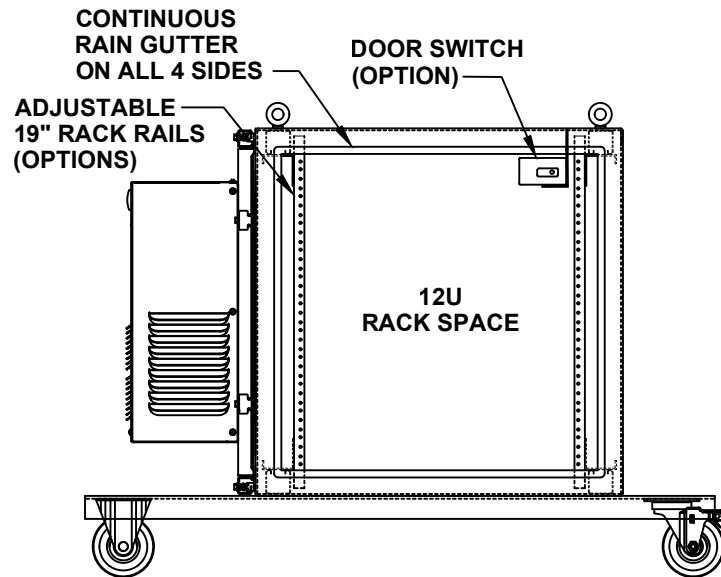
**A/C ADAPTOR PLATE**

- INSTALL A/C ADAPTOR PLATE
- NOT REQUIRED

# 24" H x 24" W x 16" D 1 DOOR DESIGN



CROSS SECTION VIEW A-A



FRONT VIEW WITH DOOR REMOVED

DOOR OPTIONS

- DOOR SWITCH
- PRINT POCKET

DOOR SWITCH OPTIONS

- 10A (STANDARD)
- 16A

RACK RAIL POST

- QTY 2 POST
- QTY 4 POST (REARDOOR REQUIRED)

RACK RAIL MATERIAL

- POWDER COATED STEEL (STANDARD)
- 304 STAINLESS STEEL

RACK RAIL MOUNTING HOLES

- #10-32 TAP (STANDARD)
- #1/4-20 TAP
- 3/8 SQUARE

RACK RAIL TYPE

- STANDARD GRADE
- HEAVY DUTY RAILS (OPTION)

RACK RAIL OPTIONS

- BLACK CLIP NUTS, #10-32, (100 EA.)
- #10/32 HIGH POINT SCREWS (100 EA.)
- M6 CAGE NUTS

RACK SHELVES (OPTION)

- STANDARD RACK SHELVES
- SLIDING RACK SHELVES
- RACK SHELF SUPPORT

RACK DRAWERS (OPTION)

- RACK DRAWERS
- LAPTOP DRAWERS

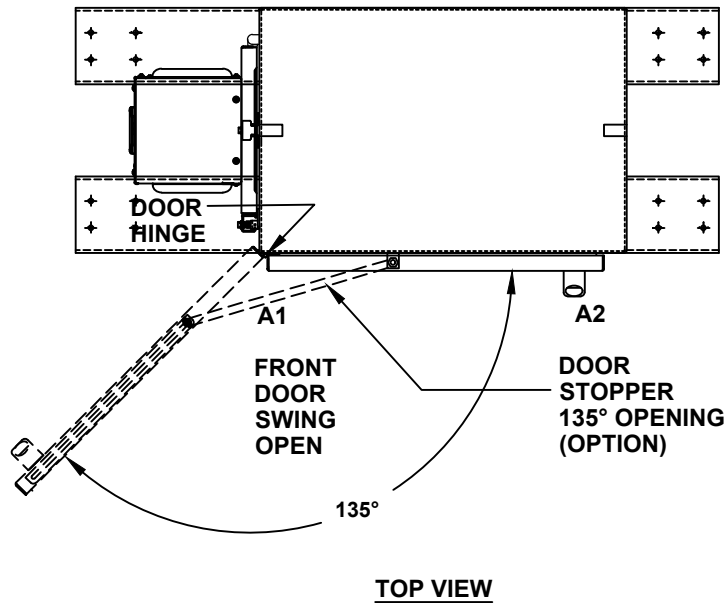
OTHER OPTIONS

- 19" RACK COPPER BUSBAR
- VERTICAL RACK PDU

# 24" H x 24" W x 16" D 1 DOOR DESIGN

**DOOR STOPPER**

- INSTALL DOOR STOPPER
- NOT REQUIRED

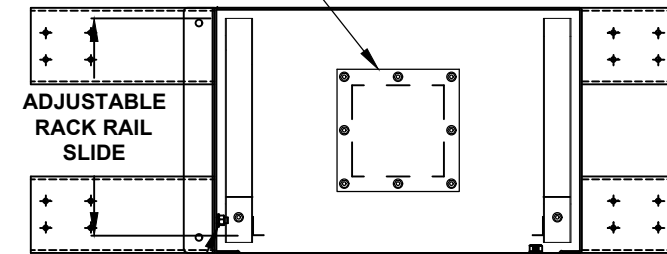


**BASE ACCESS COVER PLATE (OPTION)**

- 8x8 PLATE (6x6 CUT-OUT)
- 8x16 PLATE (6x14 CUT-OUT)
- 12x12 PLATE (10x10 CUT-OUT)
- 16x16 PLATE (14x14 CUT-OUT)

**SIDE ACCESS COVER PLATE MAT'L**

- POWDER COATED STEEL
- POWDER COATED ALUMINUM
- STAINLESS STEEL, 304



1/4-20 X 3/4  
INTERIOR  
GROUND STUDS

BONDING STRAPS

**CONDUIT/CABLE SEAL OPTIONS**

- ROXTEC SEAL SOLUTION
- PIPE FITTING HUB
- CABLE GLAND

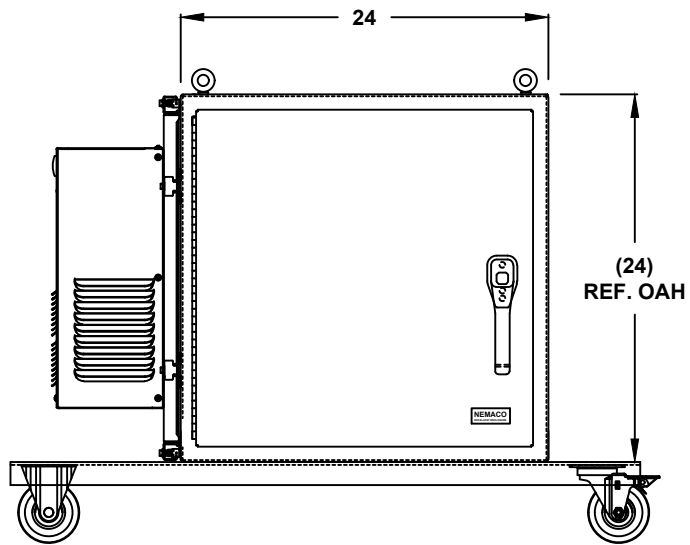
**QUAD OUTLET BOX ON 8x8 PLATE (OPTION)**

- ADD QUAD BOX
- NOT REQUIRED

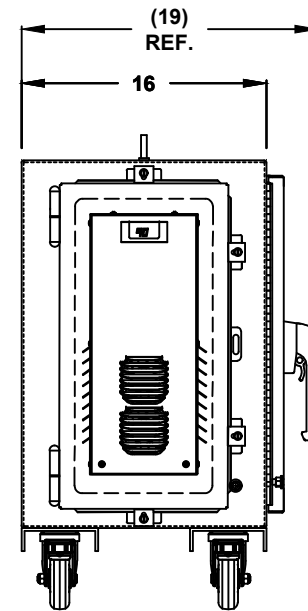
**OUTLET BOX AMP.**

- 15A
- 20A

24" H x 24" W x 16" D  
1 DOOR DESIGN



FRONT VIEW



LEFT SIDE