

66" H x 36" W x 20" D 1 DOOR DESIGN

NEMA 4X - ENCLOSURE
ELECTRICAL CABINET
FLOOR MOUNT



FILE NUMBER: E507642

STAINLESS STEEL

ENCLOSURE MATERIAL

- 304 STAINLESS STEEL (S4)
- 316 STAINLESS STEEL (S6)

POWDERCOAT COLOR

- STANDARD WHITE
- LIGHT GRAY ANSI 70
- DARK GRAY ANSI 61
- STANDARD BLACK
- CUSTOM _____

FLOOR KIT

- 6" HT. (STANDARD)
- 8" HT.
- 10" HT.
- 12" HT.
- CUSTOM _____

FLOOR KIT OPTIONS

- FIXED FLOOR KIT
- REMOVABLE FLOOR KIT

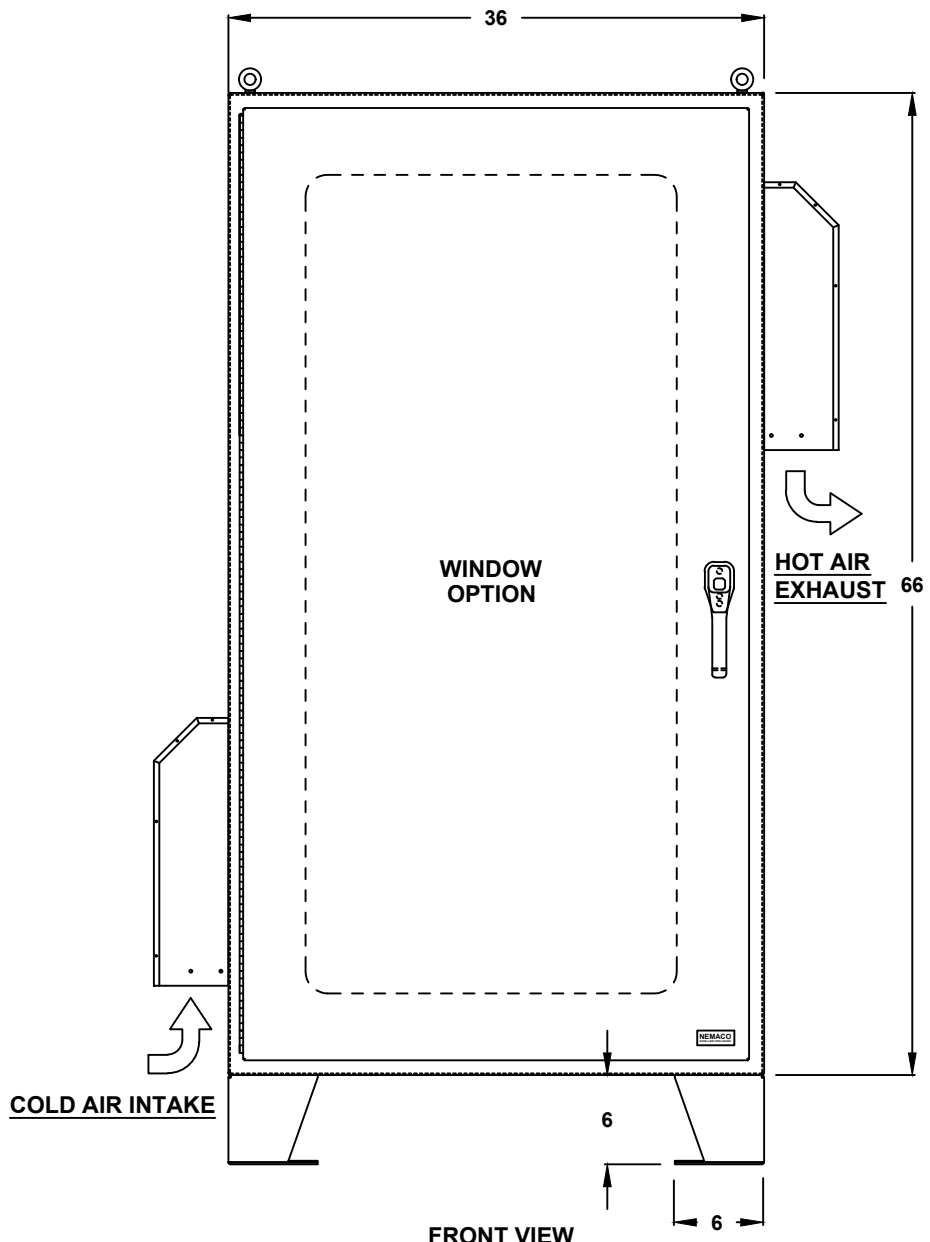
ALL DIMENSIONS ARE ESTIMATED IN INCHES
AND MAY VARY DUE TO SELECTED OPTIONS.

COMPANY NAME

APPROVED (PRINTED NAME)

SIGNATURE

DATE



FRONT VIEW

LIFTING EYE

- WELDED PADS (STANDARD)
- REMOVABLE PADEYES

DOOR HINGE

- PIANO HINGE
- LIFT OFF HINGE

DOOR LATCH OPTIONS

- 3 PT. LATCH (STANDARD)
- CLAMP SCREW WITH HASP

DOOR HANDLE

- PADLOCK PROVISION (STANDARD)
- KEYLOCK (OPTION)

*WINDOW OPTIONS

- TEMPERED GLASS
- NOT REQUIRED

*NOTE: UL & NON-UL OPTIONS
AVAILABLE

66" H x 36" W x 20" D 1 DOOR DESIGN

- THERMAL SPECIFICATIONS**
- OUTSIDE (AMBIENT) _____ °F
 - INTERIOR TEMP. _____ °F
 - HEAT LOAD (WATTS) _____
 - SUN / SHADE _____

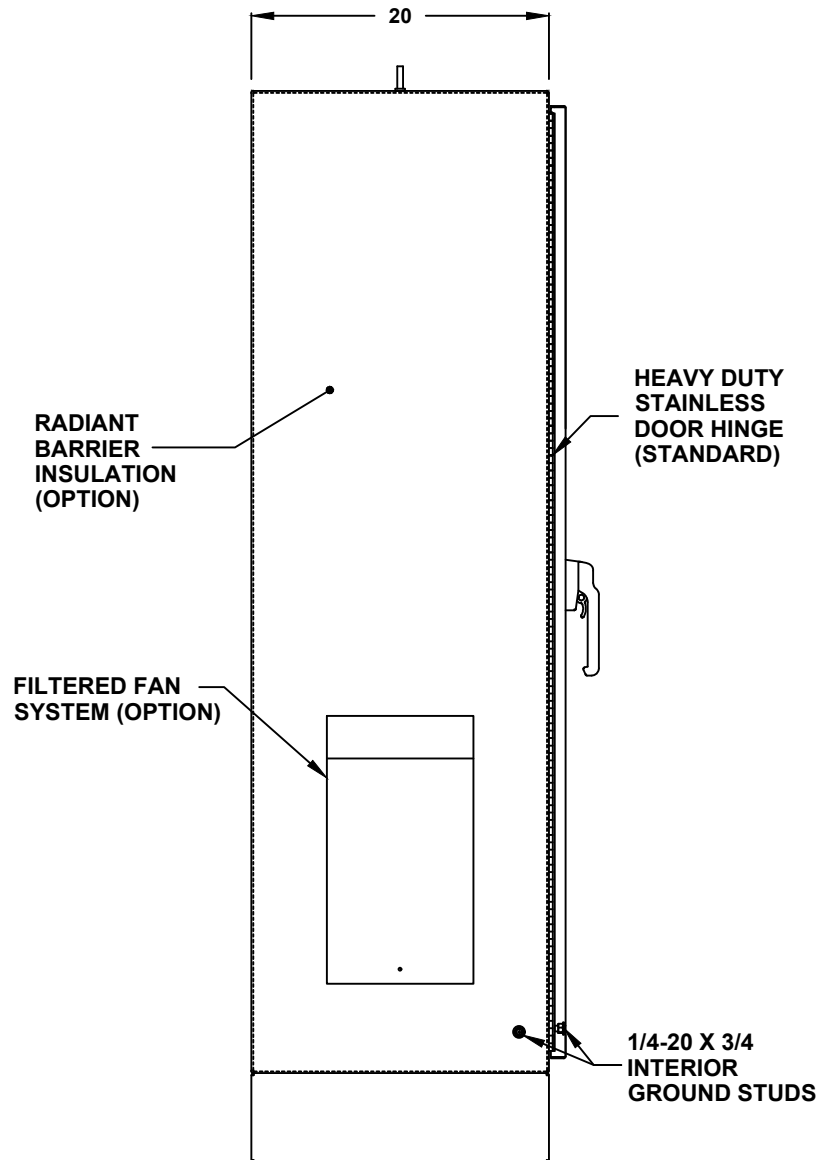
- FAN SERIES**
- 60FL SERIES, 18" H (40-92 CFM)
 - 180FL SERIES, 24"H (177-179 CFM)
 - 225FL SERIES, 24"H (350 CFM)

- FAN MATERIALS**
- BAKED POWDER STEEL
 - STAINLESS STEEL

- FAN SYSTEM**
- PUSH-PULL SYSTEM (STANDARD)
 - PUSH SYSTEM
 - PULL SYSTEM
 - NOT REQUIRED

- FAN VOLTAGE/ HZ**
- 115/60 (STANDARD)
 - 230/60
 - 12 VDC
 - 24 VDC
 - 48 VDC
 - SPECIFY _____

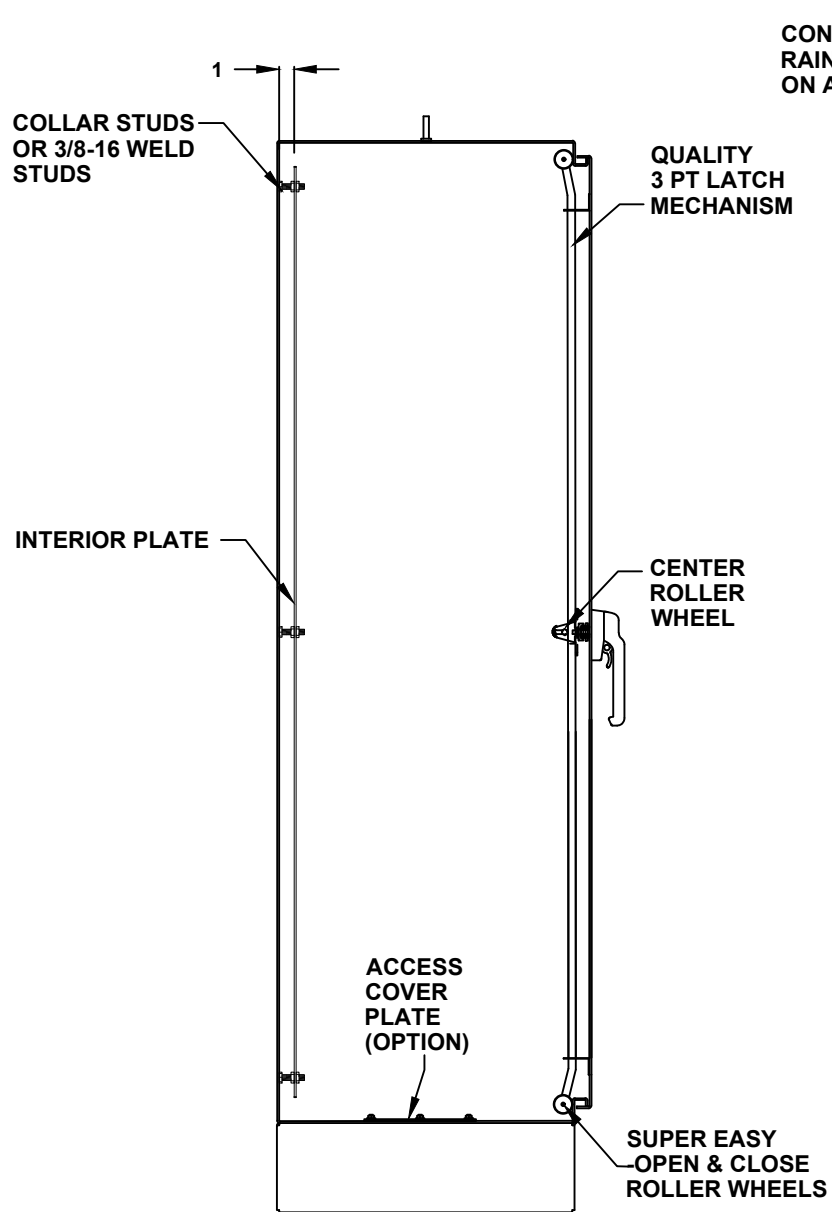
- ACCESSORIES AND OPTIONS**
- REPLACEMENT FILTER



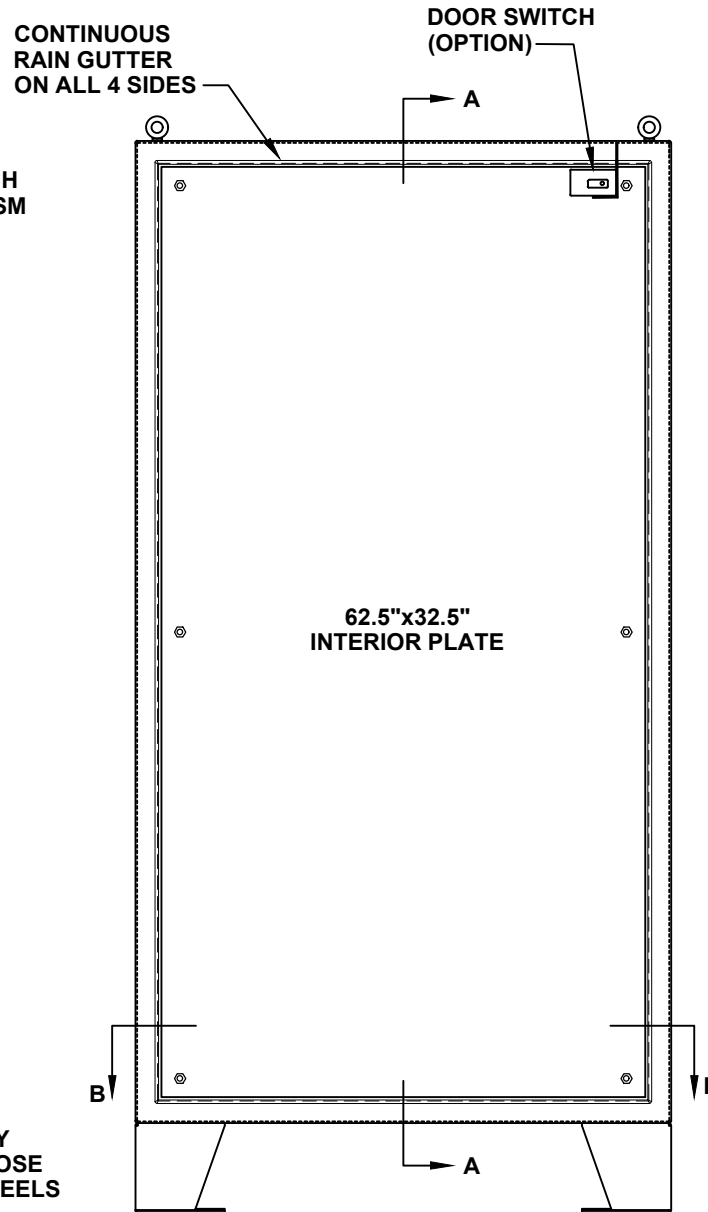
- SUN REFLECTIVE SOLUTION**
- TOP SUNSHIELD COVER
- ENCLOSURE INSULATION**
- 1/2 RADIANT BARRIER (STANDARD)
 - 3/4 RADIANT BARRIER
 - 1 RADIANT BARRIER
 - NOT REQUIRED
- FAN SERVICE DOOR**
- FAN SERVICE DOOR
 - NOT REQUIRED
- ENCLOSURE INSULATION**
- 1/2 RADIANT BARRIER (STANDARD)
 - 3/4 RADIANT BARRIER
 - 1 RADIANT BARRIER
 - NOT REQUIRED

LEFT SIDE

66" H x 36" W x 20" D 1 DOOR DESIGN



CROSS SECTION VIEW A-A



FRONT VIEW WITH DOOR REMOVED

DOOR ACCESSORIES

- DOOR SWITCH
- PRINT POCKET

INTERIOR PLATE

- COATED STEEL (IP6636-CS)
- COATED ALUMINUM (IP6636-AL)
- 304 STAINLESS STEEL (IP6636-S4)
- 316 STAINLESS STEEL (IP6636-S6)

66" H x 36" W x 20" D 1 DOOR DESIGN

- DOOR STOPPER**
- INSTALL DOOR STOPPER
 - NOT REQUIRED

**BASE ACCESS COVER PLATE
(OPTION)**

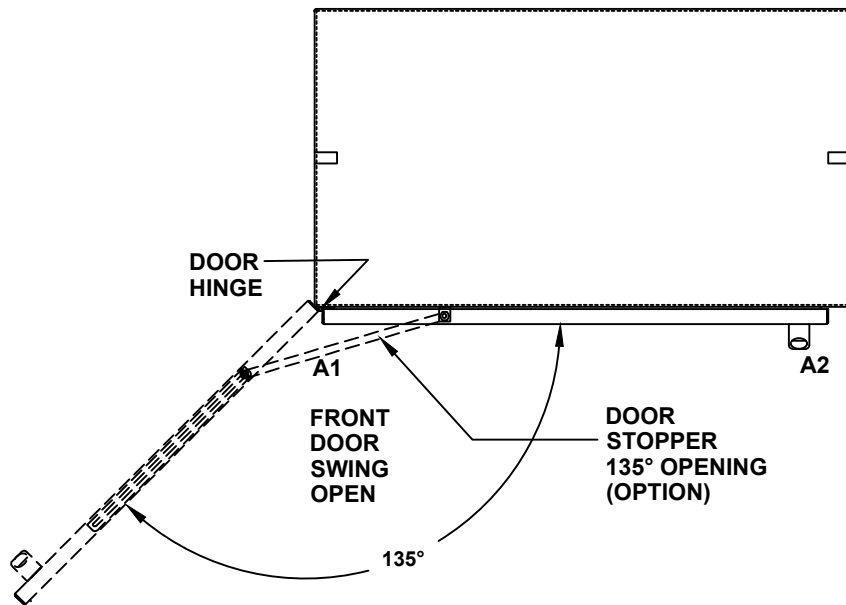
- 8x8 PLATE (6x6 CUT-OUT)
- 8x16 PLATE (6x14 CUT-OUT)
- 12x12 PLATE (10x10 CUT-OUT)
- 16x16 PLATE (14x14 CUT-OUT)

CONDUIT/CABLE SEAL OPTIONS

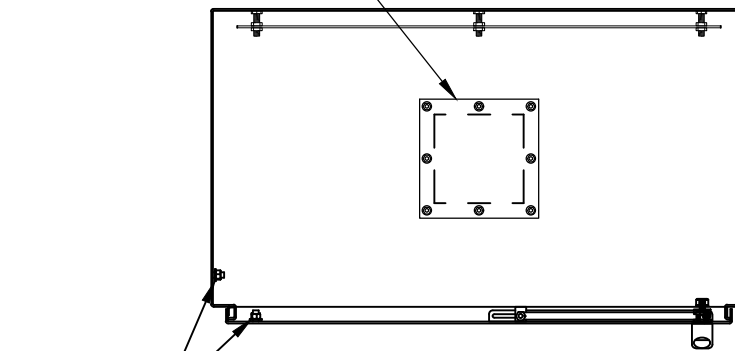
- ROXTEC SEAL SOLUTION
- PIPE FITTING HUB
- CABLE GLAND

SIDE ACCESS COVER PLATE MAT'L

- POWDER COATED STEEL
- POWDER COATED ALUMINUM
- STAINLESS STEEL, 304



TOP VIEW



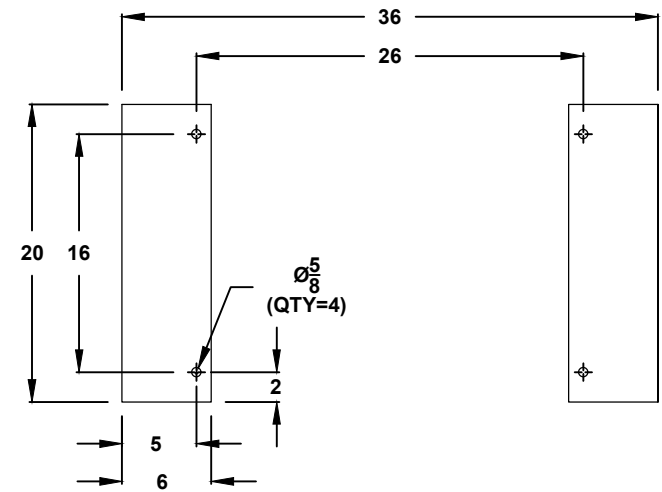
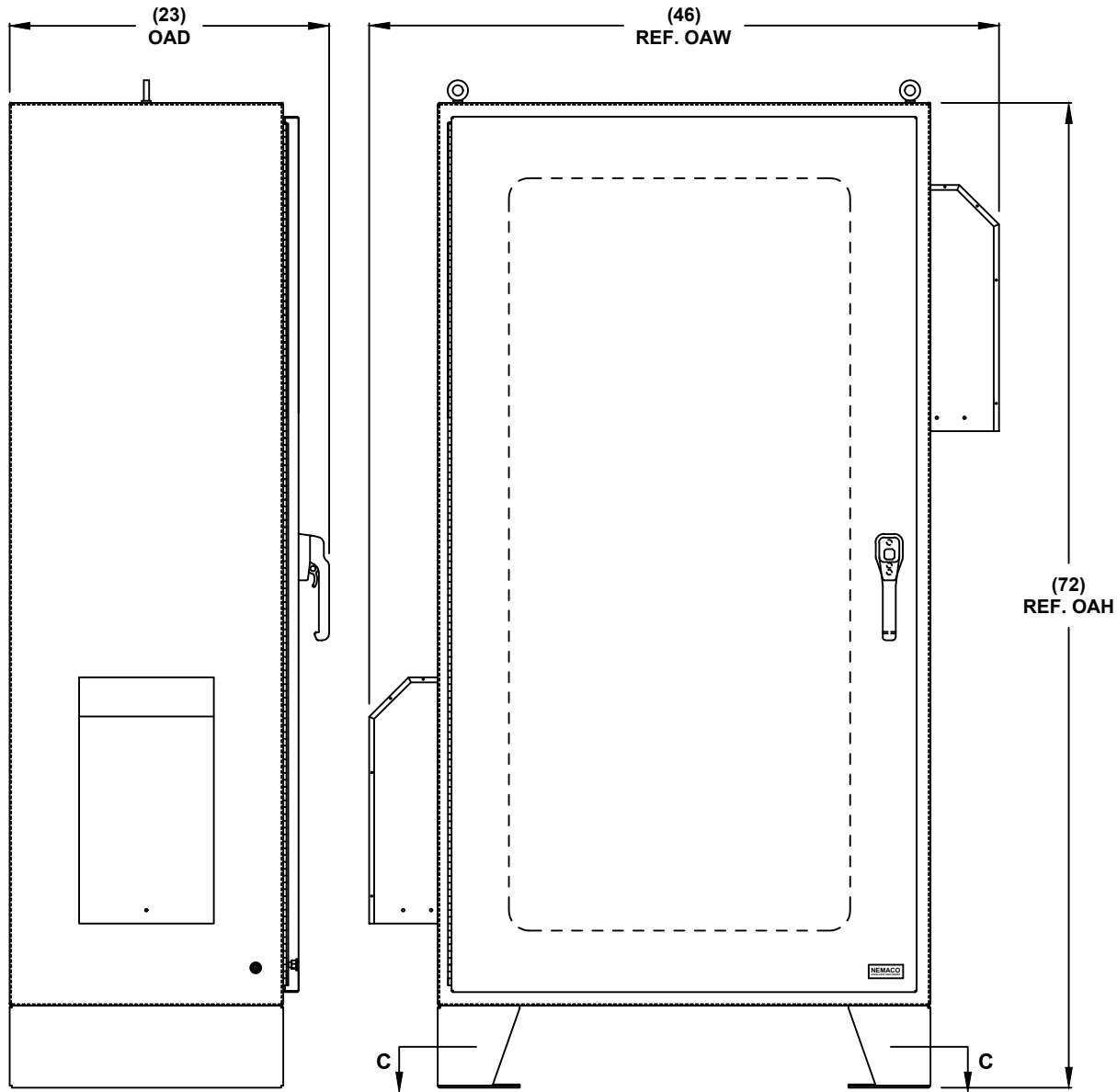
- 1/4-20 X 3/4 INTERIOR GROUND STUDS
- BONDING STRAPS

**QUAD OUTLET BOX
ON 8x8 PLATE (OPTION)**

- ADD QUAD BOX
- 15A 115V RECEPTACLE
- 20A 115V RECEPTACLE
- NOT REQUIRED

TOP CROSS SECTION VIEW B-B

66" H x 36" W x 20" D 1 DOOR DESIGN



CROSS SECTION VIEW C-C
MOUNTING HOLES

LEFT SIDE

FRONT VIEW